

MODEL MSL
INSTRUCTION SHEET FOR FEDERAL SIGNAL
MICROSTAT™ STATUS INDICATOR MODEL MSL

MODELO MSL
HOJA DE INSTRUCCIONES INDICADOR DE ESTADO
MODELO MSL DE FEDERAL SIGNAL MICROSTAT™

MODELE MSL
FICHE D'INSTRUCTIONS CONCERNANT L'INDICATEUR
D'ETAT MICROSTAT™ DE FEDERAL SIGNAL

Address all communications and shipments to:
Dirija todas la correspondencia y enviós a:
Adressez toutes les communiations et expéditions à:



FEDERAL SIGNAL CORPORATION

INSTRUCTION SHEET FOR FEDERAL SIGNAL MICROSTAT™ STATUS INDICATOR MODEL MSL

SAFETY NOTICES

WARNING

Failure to follow all safety precautions and instructions may result in property damage, serious injury, or death to you or others.

SAFETY MESSAGE TO INSTALLERS, USERS, AND MAINTENANCE PERSONNEL

It is important to follow all instructions shipped with this product. This device is to be installed by a trained electrician who is thoroughly familiar with the National Electrical Code and will follow the NEC Guidelines as well as local codes.

This device may be considered a part of the signaling system and not the entire signaling system.

The selection of the mounting location for the device, its controls and the routing of the wiring is to be accomplished under the direction of the facilities engineer. In addition, listed below are some other important safety instructions and precautions you should follow:

- Read and understand all instructions before installing or operating this equipment.
- Do not connect this light to the system when power is on.
- After installation, ensure that all screws and threaded joints are properly tightened.
- After installation, test the light system to ensure that it is operating properly.
- After testing is complete, provide a copy of this instruction sheet to all operating personnel.
- Establish a procedure to routinely check the light installation for integrity and proper operation.

I. INSTALLATION.

A. Unpacking.

After unpacking the equipment, examine it for damage that may have occurred in transit. If the equipment has been damaged, do not attempt to install or operate it. File a claim immediately with the carrier stating the extent of the damage. Carefully check all envelopes, shipping labels and tags before removing or destroying them.

B. Mounting.

1. Pipe Mounting.

The MicroStat™ (MSL) is designed for installation on ¾" NPT pipe. It may be installed on machines, control boards, or any installation where pipe mounting is required. If ½" pipe is used, a user-supplied reducer is required.

It is necessary to remove the base by disassembling the MSL unit. To remove the base from the MicroStat™, perform the following steps (refer to figure 1):

- a. Remove the entire stack of colored lenses by twisting the very bottom lens counter-clockwise (as viewed from the top) until it unlocks. Lift the bottom lens upward and off the base unit. The other colored lenses should remain

attached to the bottom lens. Each module has an o-ring on it to keep it watertight. Retain all o-rings.

- b. Remove the two phillips head #6 screws and disassemble the sleeve(s) from the base. The printed circuit board will remain attached to the sleeve(s).
- c. Thread the MSL base onto the pipe.

After the MSL base is installed, refer to section D for information on installing the Light Module and making the electrical connections.

2. Surface Mounting.

There are two options available for surface mounting. The first option is to mount Model MSL directly on the surface of machines, cabinets, control boards, or any installations where a rigid flat surface is available. This installation is described below. If raised mounting is desired for greater visibility, use the tulip mount base (MSTB) and one of three lengths of extension pipes (MSP). The installation instructions for the second option is described in the instruction sheet for Model MSB. The MicroStat™ comes assembled from the factory. It is necessary to remove the base from the unit to surface mount. To surface mount the base, perform the following steps (refer to figure 2):

- a. Remove the entire stack of colored lenses by twisting the very bottom lens counter-clockwise (as viewed from the top) until it unlocks. Lift the bottom lens upward and off the base unit. The other colored lenses should remain attached to the bottom lens. Each module has an o-ring on it to keep it watertight. Retain all o-rings.
- b. Remove the two phillips head #6 screws and disassemble the sleeve(s) from the base. The printed circuit board will remain attached to the sleeve(s).
- c. Use the gasket or the template included in this instruction sheet as a guide, placing either onto a flat section of the surface at the device's intended location.
- d. Mark the four mounting holes and the center clearance hole.
- e. Drill the four mounting holes using a #34 drill. In the center of the 4 hole pattern, drill the large clearance hole using a 1" hole saw.
- f. Knock out the four surface mount holes at the bottom of the MSL base.
- g. Locate the gasket on the surface and place the base on top of the gasket. Secure the base with the appropriate #6 screws.

CAUTION

Excessive torque on the mounting screws may crack the base.
Do not over tighten the screws.

After the base is installed, refer to section D for information on installing the Light Module and making the electrical connections.

C.Specifications.

Operating Voltage	24VDC/AC	120VAC 50-60 Hz	240VAC 50-60 Hz
Lamp	28V, 5.6W	28V, 5.6W	28V, 5.6W
Lamp Type	655 Standard glass wedge based		

Lamp Life (Based on AC operating voltage)	7000 Hours Average		
Operating Current (5 light modules installed)	1.0A	1.0A	1.0A
Current Draw (per Light Module)	0.2A+20%	0.2A+20%	0.2A+20%
In-Rush Current (per Light Module)	2.5A	2.5A	2.5A
External Contact Capacity	5 A	5A	5A
Flash Rate (w/optional 120V solid state flasher)	75 FPM		
Operating Temperature	32° to 104° F (0 to 40° C)		
Dimensions	Refer to figure 3		
Ratings/Approvals	UL, C-UL, CSA, CE (24V model only), NEMA 4X (see NOTE)		

NOTE

Since there are slots in the Sound Module lens for increased audibility, the MicroStat™ status indicator is only rated for NEMA Type 1 with this module installed.

D. Light Module Installation and Electrical Connections.

The MicroStat™ comes assembled from the factory. It is available in five different heights based on the number of light modules. See figure 3. Models MSL3, MSL4, and MSL5 each come with five different colored lenses. The lens color for each light module and the sequence of light modules is determined by the user. If Model MSL has not already been disassembled previously for mounting, perform the following steps (refer to figure 1):

1. Remove the colored lenses from the base unit. The colored lenses may be removed individually, or as a group. To remove an individual lens, starting with the top, apply a counter-clockwise (as viewed from the top) twisting motion until it unlocks. Lift the lens upward and off the unit. Repeat this process with each lens until they have all been removed. Alternatively, the entire stack of colored lenses may be removed by twisting the very bottom lens counter-clockwise until it unlocks. Lift the bottom lens upward and off the base unit. The other colored lenses should remain attached to the bottom lens. Each light module has an o-ring on it to keep it watertight. Retain any o-rings after removing lenses.
2. Remove the two phillips head #6 screws and disassemble the sleeve(s) from the base. The printed circuit board assembly will remain attached to the sleeve(s) allowing access to the terminal block. Each sleeve has an o-ring on it. Retain any o-rings after removing sleeve(s).
3. Remove the terminal block plug and set the printed circuit board assembly aside. The electrical connections can now be made.

WARNING

To avoid electrical shock hazards, do not connect wires when power is applied.

NOTE

The maximum tightening torque is 5 in-lbs. (0.56 N.m) for field wiring connections on the terminal block plug.

4. Feed the control wires through the NPT opening in the base and make connections to the female terminal block plug. Refer to figure 4. The female plug terminals are labeled with a “1” through “5” corresponding to the lamp position on the printed circuit board. Terminal “1” controls Lamp 1 which is the bottom light module; terminal “2” controls Lamp 2 which is the second light module from the bottom, etc. Reconnect the female plug to the male receptacle on the printed circuit board assembly.
5. Before reassembling, make sure that an o-ring is in place on each module. To reassemble the base unit, first attach the sleeve(s) onto the base by sliding the printed circuit board into the channels on the base. Fasten the sleeves onto the base by reinstalling the screws removed in step 2.
6. In some situations the MicroStat™ may be mounted considerably higher than eye-level and light bleed-through between modules may be evident. Light shields are included as an option with each MicroStat™ to address this situation. To install, place the light shield over the lamp and press into place as shown in figure 5.
7. Reassemble the colored lenses onto the base unit. Be sure to include an o-ring between each lens to provide a water-tight seal. Apply a clock-wise twisting motion to each lens until it locks into place. The colored lenses can be assembled to the unit in the sequence determined by the user.
8. Test the MicroStat™ to ensure that it operates as intended.

II. RELAMPING.

WARNING

To avoid electrical shock hazards, disconnect power before replacing light bulb or servicing.

To change the lamp(s), proceed as follows:

- A. Disconnect the power.
- B. Remove the colored lens associated with the lamp being replaced by applying a counter-clockwise (as viewed from the top) twisting motion to the lens until it unlocks. Lift the colored lens, along with any lenses attached to it, upward and off the unit. The colored lenses will remain connected together unless you disassemble each one. The entire stack of colored lenses may also be removed to replace any or all of the lamps by applying a counter-clockwise twisting motion to the lowest colored lens to unlock it. Lift the entire stack of colored lenses upward and off the base unit.
- C. Remove the lamp from the socket. Refer to figure 5. If the optional light shield is installed, it will remain in place on the socket. It is not necessary to remove the light shield during relamping.
- D. See replacement parts table in section IV for complete list of Federal lamps available.
- E. Install the new lamp into socket.
- F. Reassemble the colored lenses. If the lenses were disassembled in step B, make sure that an o-ring is in place on each light module.

CAUTION

If the lenses have been disconnected, be careful to note the proper color sequence in order to avoid incorrect signalling. Whenever possible, the lenses should be disconnected from the bottom as one section to avoid accidental rearrangement.

III. SERVICE.

Federal Signal will service your equipment or provide technical assistance with any problems that cannot be handled locally.

Any units returned to Federal Signal for service, inspection, or repair must be accompanied by a Return Material Authorization. This R.M.A. can be obtained from the local distributor or manufacturer's representative.

At this time a brief explanation of the service requested, or the nature of the malfunction, should be provided.

Address all communications and shipments to:

Electrical Products
Service Department
Signal Division
Federal Signal Corporation
2645 Federal Signal Drive
University Park, IL 60466-3195

IV. REPLACEMENT PARTS/ACCESSORIES.

Lamp, 28V, Wedge Type, #655	K8107185A
Lens, Amber	K8447042A
Lens, Blue	K8447042A-01
Lens, Clear	K8447042A-02
Lens, Green	K8447042A-03
Lens, Red	K8447042A-04
Cap	K8447044A
Flasher, 120V	K8285239A
O-ring	K8447054A
Light Shield	K8447061A
Tulip Base	Model No. MSTB
Extension Pipes	Model No. MSP-4 (4"), -16 (16"), -32 (32")
LED Module	Model No. MSLED-A,-B,-G,-R
Sound Module	Model No. MSS-024, -120, -240

V. EC DECLARATION OF CONFORMITY.

Manufacturer's Name: Federal Signal Corporation
Manufacturer's Address: 2645 Federal Signal Drive
University Park, IL 60466
U.S.A.

declares that the Product

Type of Equipment: Class III, Status Indicator Light
24VDC/AC

Brand Name (if any): MicroStat™
Model Number(s): MSL1, MSL2, MSL3, MSL4, MSL5
conforms to the following Standards:
EMC: EN 50081-1 : 1992
EN 50082-1 : 1992

Supplementary Information:

This statement confirms that the product fulfills the EMC requirements of the Council Directives 89/336/EEC and 92/31/EEC as amended by 93/68/EEC, Article 5 of 22 July 1993.

Manufacturer's Signature:



Position: Engineering Manager

Location: Illinois

Date: 10/20/97

The authorized representative located within the Community is:

Victor Products Limited
New York Way
New York Industrial Park
Newcastle upon Tyne
NE27 0QF
United Kingdom

HOJA DE INSTRUCCIONES INDICADOR DE ESTADO MODELO MSL DE FEDERAL SIGNAL MICROSTAT™

NOTAS DE SEGURIDAD

ADVERTENCIA

Si no se observan todas las instrucciones y medidas de seguridad, se podrían producir daños en la propiedad, lesiones graves, su muerte o la de terceros.

MENSAJE DE SEGURIDAD PARA LOS INSTALADORES, USUARIOS Y PERSONAL DE MANTENIMIENTO

Es importante seguir todas las instrucciones enviadas con este producto. Este dispositivo debe ser instalado por un electricista experto que esté completamente familiarizado con el Código Eléctrico Nacional y que cumpla con las Directrices del CEN y con los códigos locales.

Este dispositivo se puede considerar como una parte del sistema de señalización y no como un sistema completo de señalización.

La elección del lugar para montar el dispositivo, los controles y ruta del cableado debe ser efectuada bajo la dirección del técnico de las instalaciones. Además, a continuación se enumeran otras precauciones e instrucciones de seguridad importantes que se deben tener en cuenta:

- Leer y comprender todas las instrucciones antes de instalar o poner este equipo en funcionamiento.
- No conectar esta luz al sistema cuando esté en marcha.
- Después de la instalación, comprobar que todos los tornillos y juntas roscadas están correctamente apretadas.
- Después de la instalación, probar el sistema de iluminación para asegurarse de que funcione correctamente.
- Después de finalizar las pruebas, facilitar una copia de estas instrucciones a todo el personal operativo.
- Establecer un procedimiento para controlar regularmente que la instalación de la luz esté en buen estado y funcione correctamente.

I. INSTALACIÓN.

A. Desembalaje.

Después de desembalar el equipo, examinarlo para comprobar que no se haya estropeado durante el transporte. Si el equipo está dañado, no intentar instalarlo ni ponerlo en marcha. Presentar inmediatamente una reclamación al transportista estipulando el alcance de los daños. Examinar cuidadosamente todos los sobres, etiquetas de transporte y otras etiquetas antes de quitarlas o tirarlas.

B. Montaje.

1. Montaje en tubo.

El MicroStat™ (MSL) está diseñado para instalarlo en tubo de NPT de 3/4". Se puede instalar en máquinas, tableros de control, o en cualquier instalación donde se necesite el montaje en tubo. Si se utiliza un tubo de 1/2", se necesita un reductor proporcionado por el usuario.

Es necesario quitar la base desmontando la unidad MSL. Para quitar la base del MicroStat™ siga los pasos descritos a continuación (ver Figura 1):

- a. Quitar todas las lentes de color girando la lente más inferior (vista desde la parte superior) en sentido antihorario hasta que se desbloquee. Levantar la lente inferior hacia arriba y quitarla de la base. Las demás lentes de color deben quedar unidas a la lente inferior. Cada módulo tiene una junta tórica para mantenerlo impermeable. Conservar todas las juntas tóricas.
- b. Quitar los dos tornillos de cabeza Phillips #6 y desmontar la(s) manga(s) de la base. El tablero del circuito impreso permanecerá unido a la(s) manga(s).
- c. Roscar la base del MSL en el tubo.

Después de instalar la base del MSL, remitirse a la Sección D para ver la información sobre cómo instalar el Módulo de Luz y para hacer las conexiones eléctricas.

2. Montaje en superficie.

Hay dos opciones disponibles para el montaje en superficie. La primera opción es montar el Modelo MSL directamente sobre la superficie de máquinas, armarios, tableros de control, o cualquier instalación que tenga una superficie plana y rígida. Esta instalación se describe a continuación. Si se desea un montaje en altura para mayor visibilidad, utilizar la base de montaje cóncavo (MSTB) y uno de los tres tubos de extensión de diferente longitud (MSP). Las instrucciones de instalación para la segunda opción se describen en la hoja de instrucciones para el Modelo MSB. El MicroStat™ está montado en la fábrica. Es necesario quitar la base de la unidad para montarlo sobre una superficie. Para montar la base sobre una superficie, efectuar los siguientes pasos (ver Figura 2):

- a. Quitar todas las lentes de color girando la lente más inferior (vista desde la parte superior) en sentido antihorario hasta que se desbloquee. Levantar la lente inferior hacia arriba y quitarla de la base. Las demás lentes de color deben quedar unidas a la lente inferior. Cada módulo tiene una junta tórica para mantenerlo impermeable. Conservar todas las juntas tóricas.
- b. Quitar los dos tornillos de cabeza Phillips #6 y desmontar la(s) manga(s) de la base. El tablero del circuito impreso permanecerá unido a la(s) manga(s).
- c. Utilizar la junta o la plantilla incluida en esta hoja de instrucciones como guía colocándola sobre una sección plana de la superficie en el lugar de instalación deseado.
- d. Marcar los cuatro agujeros de montaje y el agujero de paso central.
- e. Taladrar los cuatro agujeros de montaje utilizando un taladro #34. En el centro de los cuatro agujeros, taladrar el agujero de paso utilizando una sierra de perforación de 1".
- f. Hacer salir los cuatro agujeros de montaje en superficie de la parte inferior de la base del MSL.
- g. Poner la junta sobre la superficie y poner la base sobre la junta. Fijar la base con los tornillos #6 correspondientes.

AVISO

Una excesiva torsión en los tornillos de montaje puede romper la base.
No apretar demasiado los tornillos.

Después de instalar la base, remitirse a la Sección D para la información sobre cómo instalar el Módulo de Luz y hacer las conexiones eléctricas.

C. Especificaciones.

Voltaje operativo	24VDC/AC	120VAC 50-60 Hz	240VAC 50-60 Hz
Lámpara	28V, 5.6W	28V, 5.6W	28V, 5.6W
Tipo de lámpara	Clase estándar, base de cuña		
Vida de la lámpara (basada en voltaje CA)	Media de 7000 horas		
Corriente (5 módulos de luz instalados)	1.0A	1.0A	1.0A
Llamada de corriente (por módulo de luz)	0.2A+20%	0.2A+2-%	0.2A+20%
Corriente de entrada (por módulo de luz)	2.5A	2.5A	2.5A
Capacidad de contacto externa	5A	5A	5A
Velocidad de destello (opcional, 120V, destellador de estado sólido)	75 DPM		
Temperatura operativa	32 a 104° F (0 a 40° C)		
Dimensiones	Referirse a la Fig. 3		
Justiprecio/Aprobaciones	UL, CUL, GSA, CE (sólo modelo 24 V), NEMA 4X (véase nota)		

NOTA

Como en las lentes del módulo de sonido hay ranuras para mejorar la audibilidad, el indicador de estado MicroStat™ solamente está calculado para el Tipo 1 de NEMA con este módulo instalado

D. Instalación del Módulo de Luz y Conexiones Eléctricas.

El MicroStat™ viene montado de la fábrica. Está disponible en cinco alturas diferentes según la cantidad de módulos de luz. Ver Figura 3. Los modelos MSL3, MSL4 y MSL5 vienen con cinco lentes de color diferentes. El color de la lente para cada módulo de luz y la secuencia de los módulos de luz está determinada por el usuario. Si el Modelo MSL no se ha desmontado previamente para su montaje, efectuar los siguientes pasos (ver Figura 1):

1. Quitar las lentes de color de la base. Las lentes de color se pueden quitar en grupo o individualmente. Para quitar una lente de forma individual, comenzando por el superior, girar en sentido antihorario (visto desde arriba) hasta que se desbloquea. Levantar la lente hacia arriba y hacia afuera de la unidad. Repetir este proceso para cada lente hasta quitarlas todas. Por otro lado, se pueden quitar todos las lentes a la vez girando la lente inferior en sentido antihorario hasta que se desbloquea. Levantar la lente hacia arriba y hacia afuera de la base. Las demás lentes deben permanecer unidas al lente inferior. Cada módulo de luz tiene una junta tórica para mantenerlo impermeable. Guardar todas las juntas tóricas después de quitar las lentes.
2. Quitar los dos tornillos Phillips de cabeza #6 y desmontar la(s) manga(s) de la base. El montaje del tablero del circuito impreso permanecerá unido a la manga(s) permitiendo el acceso al tablero de bornas. Cada manga tiene una junta tórica. Guardar todas las juntas tóricas después de quitar la(s) manga(s).
3. Quitar el enchufe hembra del tablero de bornas y poner a un lado el montaje del tablero del circuito impreso. Ahora se pueden hacer las conexiones eléctricas.

ADVERTENCIA

Para evitar el peligro de las sacudidas eléctricas, no conectar cables cuando la corriente está dada.

NOTA

La máxima torsión de apriete es de 5 pulgadas por libra (0.56 Nm) para las conexiones de cables en el enchufe del tablero de bornas.

4. Pasar los cables de control a través de la abertura NPT situada en la base y hacer las conexiones al enchufe hembra del tablero de bornas. Ver Figura 4. Los terminales del enchufe hembra están etiquetados del “1” al “5” correspondientes a la posición de las lámparas en el circuito impreso. El Terminal “1” controla la Lámpara 1, que es el módulo de luz inferior. El Terminal “2” controla la Lámpara 2 que es el segundo módulo de luz contando desde abajo, etc. Volver a conectar el enchufe hembra en el conector macho del montaje del tablero del circuito impreso.
5. Antes de volver a montar, asegurarse de que cada módulo tenga puesta la junta tórica. Para volver a montar la base, fijar primero la(s) manga(s) a la base deslizándolo el tablero del circuito impreso hacia los canales de la base. Fijar las mangas a la base volviendo a poner los tornillos quitados en el paso 2.
6. En algunos casos el MicroStat™ se puede montar a bastante más altura del nivel de los ojos y la filtración de la luz entre los módulos puede ser evidente. Con cada MicroStat™ se incluyen pantallas para la luz a modo opcional para solucionar este problema. Para instalarlas, poner la pantalla sobre la lámpara y presionarla como se indica en la Fig. 5.
7. Volver a montar las lentes de color en la base. Asegurarse de incluir una junta tórica entre cada lente para proporcionar un sello impermeable. Aplicar un movimiento giratorio en el sentido horario a cada lente hasta que quede bloqueada en su sitio. Las lentes de color se pueden montar en la unidad en una secuencia determinada por el usuario.
8. Probar el MicroStat™ para asegurarse de que funciona correctamente.

II. CAMBIO DE LAS LÁMPARAS.

ADVERTENCIA

Para evitar el peligro de las sacudidas eléctricas, desconectar la corriente antes de cambiar las bombillas o durante el mantenimiento.

Para cambiar las lámparas, proceder como sigue:

A. Desconectar la corriente.

B. Quitar la lente de color correspondiente a la lámpara que se va a cambiar girándola en sentido antihorario (visto desde arriba) hasta que se desbloquea. Levantar la lente de color, junto con cualquier otra lente que esté unida, hacia arriba y hacia afuera de la unidad. Las lentes de color permanecerán juntas a menos que se las desmonte una a una. También se puede quitar la pila completa de lentes de color para cambiar alguna o todas las lámparas, girando la lente inferior en sentido antihorario para desbloquearlo. Levantar la pila completa de lentes hacia arriba y hacia afuera de la unidad.

- C. Quitar la lámpara del portalámpara. Ver Figura 5. Si la pantalla opcional está instalada, permanecerá en su sitio en el portalámpara. No es necesario quitar la pantalla al cambiar la lámpara.
- D. Ver la Tabla de piezas de recambio en la Sección IV para ver la lista completa de lámparas Federal disponibles.
- E. Instalar la nueva lámpara en el portalámpara.
- F. Volver a montar las lentes de color. Si se desmontaron las lentes en el paso B, asegurarse de poner una junta tórica en cada módulo de luz.

AVISO

Si se han desconectado las lentes, hay que tener cuidado de comprobar la secuencia de colores correcta para evitar una señalización incorrecta. Siempre que sea posible, se deben desconectar las lentes desde abajo como una sección para evitar una reordenación incorrecta.

III. MANTENIMIENTO.

Federal Signal reparará su equipo o le proporcionará asistencia técnica siempre que tenga un problema que no se puede solucionar localmente.

Toda unidad que sea enviada a Federal Signal para su reparación, inspección o mantenimiento debe ir acompañada de una Autorización de Devolución de Material. Esta A.D.M. se puede obtener en el distribuidor local o representante del fabricante.

También se debe proporcionar una breve explicación del servicio requerido o de la naturaleza del fallo de funcionamiento.

Dirigir las comunicaciones y envíos a:

Electrical Products/Service Department
Signal Division
Federal Signal Corporation
2645 Federal Signal Drive
University Park IL 60466-3195

IV. ACCESORIOS/PIEZAS DE RECAMBIO.

Lámpara 28 V, Tipo Cuña, #855	K8107185A
Lente Ambar	K8447042A
Lente Azul	K8447042A-01
Lente Transparente	K8447042A-02
Lente Verde	K8447042A-03
Lente Roja	K8447042A-04
Tapa	K8447044A
Destellador, 120 V	K8285239A
Junta Tórica	K8447054A
Pantalla	K8447061A
Base Cóncava	Modelo Número MSTB
Tubos de Extensión	Modelo Número MSP-4 (4"), -16 (16"), -32 (32")
Módulo LED	Modelo Número MSLED-A, -B, -G, -R
Módulo Sound	Modelo Número MSS-024, -120, -240

V. DECLARACIÓN DE CONFORMIDAD DE LA CE.

Nombre del Fabricante: Federal Signal Corporation
Dirección del Fabricante:

declara que el Producto:

Tipo de Equipo: Estado indicador luz, Clase III
24V CC/CA
Marca (si la tiene): MicroStat
Número del Modelo: MSL1, MSL2, MSL3, MSL4, MSL5
cumple con las siguientes Normativas:
EMC: EN 50081-1 : 1992
EN 50082-2 : 1992

Información suplementaria:

Esta declaración confirma que el producto cumple con los requisitos de Compatibilidad Electromagnética de las Directivas del Consejo 89/336/CEE y 92/31/CEE rectificadas por 93/68/CEE, Artículo 5 del 22 de julio de 1993.

Firma del Fabricante:

Cargo: Ingeniero Director

Lugar: Illinois

Fecha: 20/10/97



El representante autorizado de la Comunidad es:

Victor Products Limited
New York Way
New York Industrial Park
Newcastle upon Tyne
NE27 0QF
Reino Unido

FICHE D'INSTRUCTIONS CONCERNANT L'INDICATEUR D'ETAT MICROSTAT™ DE FEDERAL SIGNAL

NOTES DE SECURITE

AVERTISSEMENT

Le non respect de toutes les précautions et instructions de sécurité peut résulter en dommages aux biens, à des blessures graves ou mortelles pour vous ou d'autres.

MESSAGE DE SECURITE AUX INSTALLATEURS, UTILISATEURS ET PERSONNEL D'ENTRETIEN.

Il est important de respecter toutes les instructions expédiées avec ce produit. Ce dispositif doit être installé par des électriciens professionnels qui sont complètement au courant du Code Electrique National et respecteront les recommandations NEC ainsi que les codes locaux.

Ce dispositif peut être pris comme faisant partie du système de signalisation et non comme le système complet de signalisation.

Le choix de l'endroit de montage du dispositif, ses commandes et le passage des câbles doit être effectué sous la direction de l'ingénieur des services électriques. De plus, sont énumérées ci-dessous quelques autres instructions et précautions de sécurité importantes que vous devez suivre:

- Lire et comprendre toutes les instructions avant d'installer ou d'utiliser ce matériel.
- Ne connectez pas cette lampe au système si la tension est présente.
- Après installation, assurez-vous que toutes les vis et les joints filetés sont bien serrés.
- Après installation, essayez le système d'éclairage pour assurer qu'il fonctionne correctement.
- Après fin de l'essai, donnez un exemplaire de cette feuille d'instructions à tout le personnel utilisateur.
- Etablissez une procédure pour vérifier de manière systématique l'installation d'éclairage concernant son intégrité et son fonctionnement correct.

I. INSTALLATION.

A. Déballage.

Après déballage du matériel, examinez le pour détecter des dommages pouvant avoir eu lieu pendant le transport. Si le matériel a été endommagé, n'essayez pas de l'installer ou de l'utiliser. Déposez immédiatement une réclamation auprès du transporteur en indiquant les dommages. Vérifiez soigneusement toutes les enveloppes, les étiquettes d'expédition et les étiquettes volantes avant de les enlever ou de les détruire.

B. Montage.

1. Montage sur tube.

Le MicroStat™ (MSL) est conçu pour être installé sur un tube de $\frac{3}{16}$ " NPT. Il peut être installé sur des machines, des tableaux de commande, ou une installation où il est nécessaire de monter sur tube. Si du tube de $\frac{1}{2}$ " est utilisé, un réducteur fourni par l'utilisateur est nécessaire.

Il est nécessaire de retirer la base en démontant l'appareil MSL. Pour retirer la base du MicroStat™, exécutez les étapes suivantes (voir la figure 1) :

- a. Retirez toute la pile de verres colorés en tournant le verre du bas dans le sens anti-horaire (vu de dessus) jusqu'à ce qu'il se libère. Soulevez le verre du bas vers le haut et le sortir de l'appareil. Les autres verres colorés doivent rester attachés au verre inférieur. Chaque module possède un joint torique pour le maintenir étanche à l'eau. Gardez tous les joints toriques.
- b. Retirez les deux vis #8 à tête cruciforme et démontez la ou les douille(s) de la base. La carte à circuits imprimés reste fixée à la ou aux douille(s).
- c. Vissez la base du MSL sur le tube.

Une fois installée la base du MSL, référez vous à la section D pour avoir des informations sur l'installation du module de lampe et faire les branchements électriques.

2. Montage en surface.

Il existe deux options de montage en surface. La première option est de monter le Modèle MSL directement sur la surface des machines, armoires, tableaux de commande, ou autres installations où il y a une surface plate et rigide.

L'installation est décrite ci-dessous. Si un montage en relief est désiré pour avoir une meilleure visibilité, utilisez la base à monture en tulipe (MST8) et une de trois longueurs de rallonge de tube (MSP). Les instructions d'installation pour la seconde option sont décrites dans la fiche d'instructions du Modèle MSB. Le MicroStat™ est assemblé en usine. Il est nécessaire de retirer la base de l'appareil pour faire un montage en surface. Pour monter la base en surface, exécutez les étapes suivantes (voir la figure 2):

- a. Retirez toute la pile de verres colorés en tordant le verre du bas dans le sens anti-horaire (vu de dessus) jusqu'à ce qu'il se libère. Soulevez le verre du bas vers le haut et le sortir de l'appareil. Les autres verres colorés doivent rester attachés au verre inférieur. Chaque module possède un joint torique pour le maintenir étanche à l'eau. Gardez tous les joints toriques.
- b. Retirez les deux vis #8 à tête cruciforme et démontez la ou les douille(s) de la base. La carte à circuits imprimés reste fixée à la ou aux douille(s).
- c. Utilisez le joint ou le gabarit inclus avec cette fiche d'instructions comme guide, en plaçant l'un d'eux sur une partie plate de la surface à l'emplacement prévu pour le dispositif.
- d. Marquez les quatre trous de montage et le trou central de dégagement.
- e. Percez les quatre trous de montage à l'aide d'un foret de #34. Au centre de la configuration des 4 trous, percez le grand trou de dégagement avec une scie trépan de 1".
- f. Dégagez en tapant les quatre trous de montage en surface en bas de la base du MSL.
- g. Placez le joint sur la surface et la base sur le joint. Fixez la base avec les vis #6 appropriées.

ATTENTION

Un couple trop fort sur les vis de montage peut fissurer la base. Ne serrez pas trop les vis.

Une fois la base installée, voir la section D en ce qui concerne les informations sur l'installation du module de lampe et les branchements électriques.

C. Spécifications.

Tension de fonctionnement	24 V CC/CA	120 V CA 50-60 Hz	240 V CA 50-60 Hz
Lampe	28 V 5,6 W	28 V 5,6 W	28 V 5,6 W
Type de lampe	Standard 066 à tige de verre		
Durée de vie de la lampe (en fonction de la tension alternative de fonctionnement)	Moyenne 7000 heures		
Courant de fonctionnement (5 modules de lampe installés)	1,0 A	1,0 A	1,0 A
Courant prélevé (par module de lampe)	0,2 A +20%	0,2 A +20%	0,2 A +20%
Courant de démarrage (par module de lampe)	2,5 A	2,5 A	2,5 A
Capacité de contact extérieur	5 A	5 A	5 A
Vitesse des éclats (avec clignotant à semi-conducteur de 120 V en option)	75 EPM		
Température de fonctionnement	0 à 40°C	0 à 40°C	0 à 40 °C
Dimensions	Voir figure 3		
Approbation des valeurs nominales	UL, C-UL, CSA, CE (uniquement pour le modèle en 24 V), NEMA 4X (voir note)		

NOTA

Etant donné qu'il y a des fentes dans le verre du Module de son pour augmenter l'audibilité, l'indicateur d'état MicroStat™ n'est donné en valeur nominale conformément à NEMA Type 1 que lorsque ce module est installé.

D. Installation des modules de lampe et branchements électriques.

Le MicroStat™ est assemblé en usine. Il existe en cinq hauteurs différentes basées sur le nombre de modules de lampes. Voir figure 3. Les Modèles MSL3, MSL4 et MSL5 se font chacun avec cinq verres de couleurs différentes. La couleur du verre de chaque module de lampe et la séquence de modules de lampes sont définis par l'utilisateur. Si le modèle MSL n'a pas été déjà désassemblé auparavant pour le montage, suivre les étapes ci-après (voir la figure 1):

1. Retirez les verres de couleur de l'unité de base. Les verres de couleur peuvent être retirés séparément, ou en groupe. Pour retirer un verre séparé, en commençant par le haut, tournez dans le sens anti-horaire (vu d'en haut) jusqu'à ce qu'il soit déverrouillé. Elevez et sortez le verre. Répétez ce procédé pour chaque verre jusqu'à ce qu'ils tous été retirés. Ou bien, l'ensemble des verres de couleur peut être retiré en tournant le verre du bas dans le sens anti-horaire jusqu'à ce qu'il soit libéré. Soulevez le verre du bas vers le haut et le sortir de l'appareil. Les autres verres colorés doivent rester attachés au verre inférieur. Chaque module possède un joint torique pour le maintenir étanche à l'eau. Gardez tous les joints toriques après le retrait des verres.
2. Retirez les deux vis #6 à tête cruciforme et démontez la ou les douille(s) de la base. La carte à circuits imprimés reste fixée à la ou aux douille(s) permettant l'accès au bornier. Chaque douille possède un joint torique. Gardez tous les joints toriques après le retrait des douilles.

3. Retirez la fiche de bornier et mettez de côté l'ensemble de carte à circuits imprimés. Les branchements électriques peuvent alors être faits.

AVERTISSEMENT

Pour éviter les risques d'électrocution, ne pas connecter de fils lorsque la tension est mise.

NOTA

Le couple maximal de serrage est de 0,56 Nm pour les connexions de fil au bornier sur le terrain.

4. Passez les fils de commande à travers l'ouverture taraudée NPT dans la base et faire les connexions avec le bornier femelle. Voir la figure 4. Les bornes de la fiche femelle sont marquées avec un chiffre de "1" à "5" correspondant à la position de la lampe sur la carte à circuits imprimés. La borne "1" commande la lampe 1 qui est le module de lampe inférieure, la borne "2" commande la lampe 2 qui est le deuxième module de lampe à partir du bas, etc. Reconnectez la fiche femelle au réceptacle mâle sur l'ensemble de carte à circuits imprimés.
5. Avant de remonter, assurez-vous qu'un joint torique est en place sur chaque module. Pour remonter l'unité de base, fixez d'abord la/les douille(s) sur la base en glissant la carte à circuits imprimés dans les glissières de la base. Attachez les douilles sur la base en remontant les vis retirées à l'étape 2.
6. Dans certains cas, le MicroStat™ peut être monté beaucoup plus haut que la hauteur d'oeil et un passage de lumière entre les modules peut être évident. Des cache-lumière sont inclus en option avec chaque MicroStat™ pour résoudre ce problème. Pour installer, placez l'écran sur la lampe et enfoncez-le en place comme indiqué sur la figure 5.
7. Remontez les verres de couleur sur l'unité de base. Assurez-vous qu'il y a bien un joint torique entre chaque verre pour donner une étanchéité à l'eau. Tournez chaque verre dans le sens horaire jusqu'à ce qu'il soit verrouillé en place. Les verres de couleur peuvent être assemblés avec l'unité dans l'ordre fixé par l'utilisateur.
8. Essayez le MicroStat™ pour assurer qu'il fonctionne comme prévu.

II. CHANGEMENT DES LAMPES.

AVERTISSEMENT

Pour éviter les risques d'électrocution, coupez l'alimentation avant de remplacer une lampe ou de faire de l'entretien.

Pour changer la/les lampe(s), procédez comme suit :

A. Coupez l'alimentation électrique.

B. Retirez le verre de couleur associé avec la lampe en cours de remplacement, en tournant dans le sens anti-horaire (vu de dessus) au verre jusqu'à ce qu'il se libère. Soulevez et sortez le verre de couleur, ainsi que les verres qui lui sont attachés. Les verres de couleur restent reliés ensemble sauf si chacun est démonté. La pile complète des verres de couleur peut aussi être retirée pour remplacer une lampe ou toutes les lampes en tournant dans le sens anti-horaire le verre coloré le plus bas pour le libérer. Soulevez la pile complète de verres colorés et sortez-la de l'unité de base.

- C. Retirez la lampe de la douille. Voir la figure 5. Si l'écran en option est installé, il reste en place sur la douille. Il n'est pas nécessaire de retirer l'écran pendant le changement de lampe.
- D. Voir le tableau des pièces de rechange en section IV avec la liste complète des lampes Federal disponibles.
- E. Installez la nouvelle lampe dans la douille.
- F. Réassemblez les verres de couleur. Si les verres ont été démontés à l'étape 5, assurez-vous qu'un joint torique est en place sur chaque module de lampe.

ATTENTION

Si les verres ont été déconnectés, notez bien l'ordre correct des couleurs afin d'éviter une signalisation incorrecte. Chaque fois que c'est possible, les verres doivent être déconnectés depuis le bas en un bloc pour éviter une mauvaise disposition accidentelle.

III. SERVICE.

Federal Signal fait l'entretien de l'équipement ou offre une assistance technique pour tout problème ne pouvant être traité localement.

Les unités renvoyées à Federal Signal pour entretien, inspection ou réparation, doivent être accompagnées d'une Autorisation de Retour de Matériel. Cette ARM (R.M.A) peut être obtenue auprès du distributeur local ou du représentant du fabricant.

A ce moment doit être fournie une courte explication du service demandé, ou la nature du mauvais fonctionnement.

Envoyez toutes les communications et expéditions à :

Electrical Products/Service Department
Signal Division
Federal Signal Corporation
2645 Federal Signal Drive
University Park, IL 60466-3195
ETATS-UNIS

IV. PIECES DE RECHANGES/ACCESSOIRES.

Lampe 28 V, à tige de verre #655	K8107185A
Verre, Orange	K8447042A
Verre, Bleu	K8447042A-01
Verre, Incolore	K8447042A-02
Verre, Vert	K8447042A-03
Verre, Rouge	K8447042A-04
Capuchon	K8447044A
Clignotant, 120 V	K8285239A
Joint torique	K8447054A
Ecran de lampe	K8447061A
Base évasée	Modèle N° MSB
Rallonges de tubes	Modèle N° MSP-4 (4"), -16 (16"), -32 (32")
Module à diode	Modèle N° MSLED-A, -B, -G, -R
Module de son	Modèle N° MSS-024, -120, -240

V. DECLARATION DE CONFORMITE CE

Nom du fabricant: Federal Signal Corporation
Adresse du fabricant: 2645 Federal Signal Drive
University Park, Il 60466
Etats-Unis

déclare que le Produit

Type de matériel: Etat indicateur lampe, Classe III,
24V CC/CA

Marque: MicroStat™

Numéro du modèle: MSL1, MSL2, MSL3, MSL4, MSL5

est conforme aux normes suivantes :


EMC: EN 50081-1 : 1992
EN 50082-1 : 1992

Informations complémentaires :

Cette déclaration confirme que le produit satisfait aux exigences EMC des Directives du Conseil 89/336/EEC et 92/31/EEC modifiée par 93/68/EEC, Article 5 du 22 juillet 1993.

Signature du fabricant:

Fonction: Directeur de
l'ingénierie



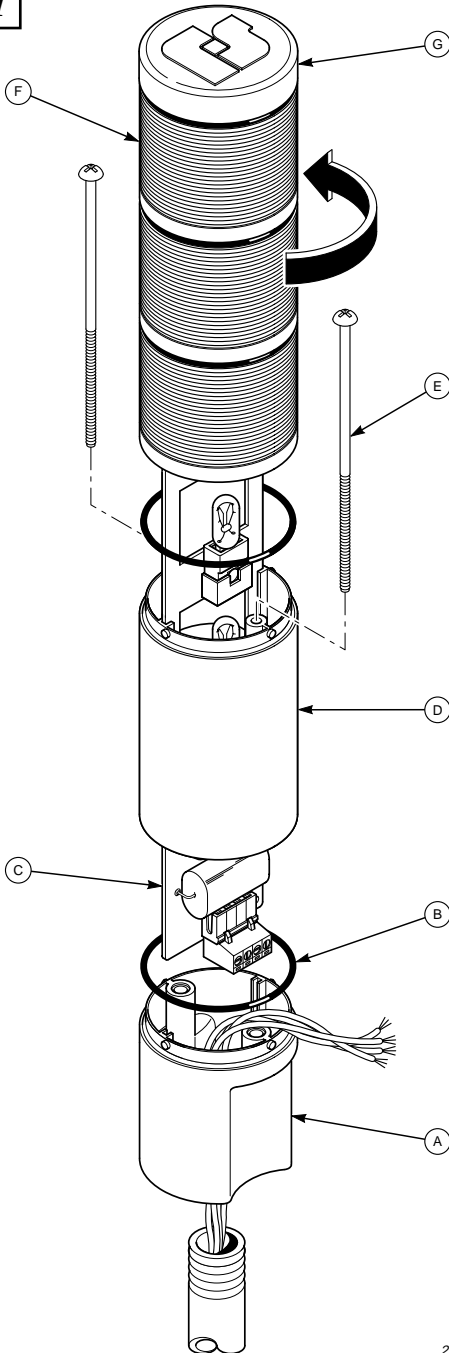
Lieu: Illinois

Date: 20 octobre 1997

Le représentant autorisé situé dans la Communauté Européenne est:

Victor Products Limited
New York Way
New York Industrial Park
Newcastle upon Tyne
NE27 0QF
Royaume-Uni

I



English

- A. Base
- B. O-Ring
- C. Printed circuit board
- D. Sleeve
- E. #6 Phillips head screw
- F. Colored lens (up to five)
- G. Cap

Español

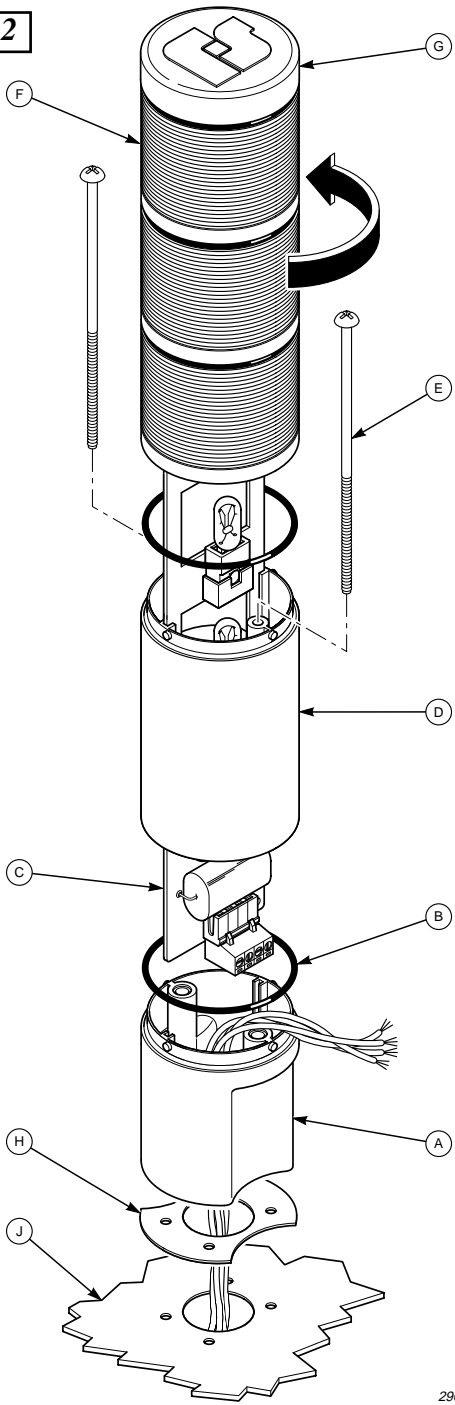
- A. Base
- B. Junta tórica
- C. Placa de circuito impreso
- D. Manga
- E. Tornillo Phillips de cabeza #6
- F. Lentes de color (hasta 5)
- G. Tapa

Français

- A. Base
- B. Joint torique
- C. Carte à circuits imprimés
- D. Douille
- E. Vis #6 à tête cruciforme
- F. Verre coloré (≤ Cinq)
- G. Capuchon

290A3377

2



English

- A. Base
- B. O-Ring
- C. Printed circuit board
- D. Sleeve
- E. #6 Phillips head screw
- F. Colored lens (up to five)
- G. Cap
- H. Gasket
- J. Mounting surface

Español

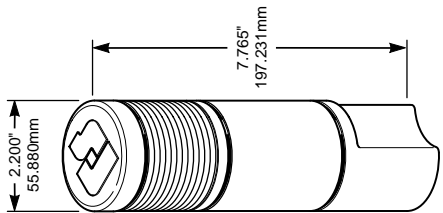
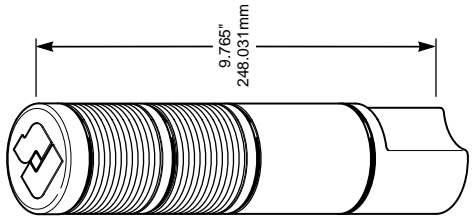
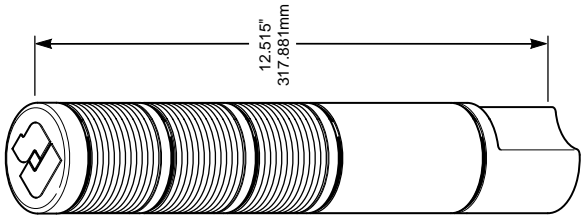
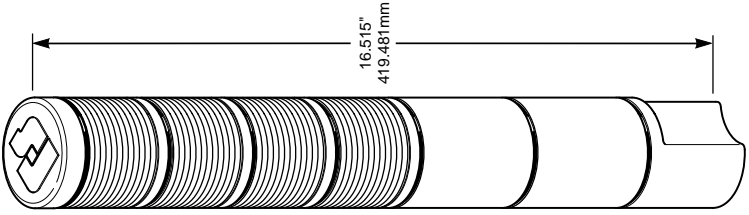
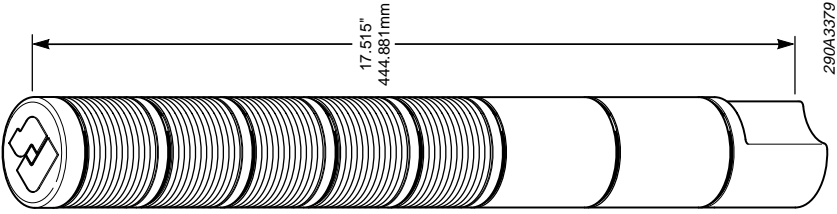
- A. Base
- B. Junta tórica
- C. Placa de circuito impreso
- D. Manga
- E. Tornillo Phillips de cabeza #6
- F. Lentes de Color (hasta 5)
- G. Tapa
- H. Cuña
- J. Superficie de montaje

Français

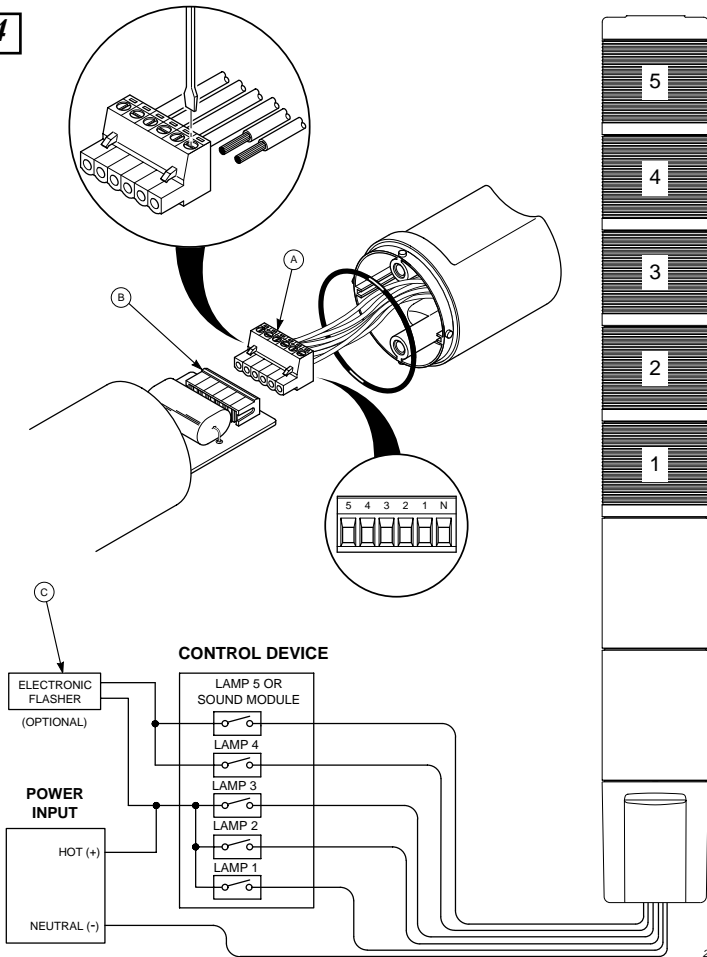
- A. Base
- B. Joint torique
- C. Carte a circuits imprimes
- D. Douille
- E. #6 Vis a tete cruciforme
- F. Verre colore (≤ Cinq)
- G. Capuchon
- H. Joint
- J. Surface de montage

290A3378

3



4



290A3380

English

- A. Female terminal block for wiring connections
- B. Male receptacle
- C. Optional electronic flasher. Lamps 4 & 5 are flashing and lamps 1, 2, & 3 are steady burning in this example. The flasher is for use with 120VAC light modules only. The flasher must be in line with the hot lead.

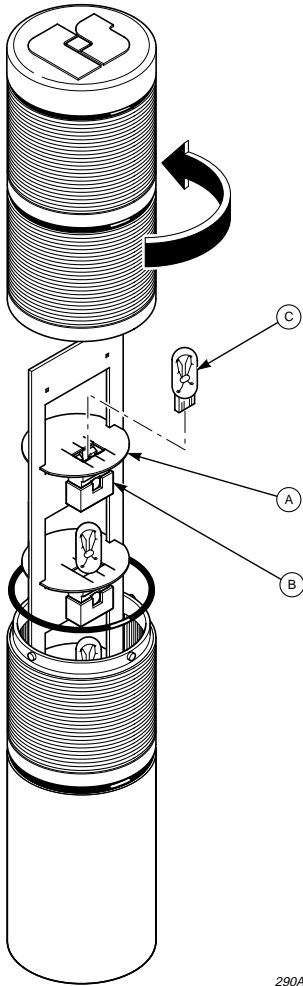
Español

- A. Tablero de bornas hembra para las conexiones de los cables
- B. Conector macho
- C. Destellador electrónico opcional. En este ejemplo, las lámparas 4 y 5 están destellando y las lámparas 1, 2, y 3 iluminan de forma fija. El destellador sólo se puede utilizar con los módulos de luz de 120V CA. El destellador debe estar en línea con el plomo caliente.

Français

- A. Bornier femelle pour connecter les fils
- B. Receptacle male
- C. Clignotant électronique en option. Les lampes 4 et 5 clignent et les lampes 1, 2, et 3 sont éclairées en fixe dans cet exemple. Le clignotant est destiné à l'utilisation avec modules de lampes en 120V CA uniquement. Le clignotant doit être sur la ligne de la phase.

5



English

- A. Light shield (optional)
- B. Lamp socket and cover assembly
- C. Wedge type lamp #655

Español

- A. Pantalla (opcional)
- B. Portalámpara y montaje de la tapa
- C. Lámpara tipo cuña #655

Français

- A. Ecran (option)
- B. Douille de lampe et couvercle
- C. Lampe a tige de verre #655

290A3388

2561403A
Rev. A 11/97
Made in U.S.A.



FEDERAL SIGNAL CORPORATION