

MODELS 300, 300GC, and 302GC

**MODEL 300, MODEL 300GC, AND MODEL 302GC SELECTONE®
INSTALLATION INSTRUCTIONS FOR 12VDC, 36VDC, 48VDC, 24VAC/DC,
120VAC, AND 240VAC UNITS**

MODELOS 300, 300GC, y 302GC

**INSTRUCCIONES DE INSTALACION PARA LAS UNIDADES DE 12VCC,
36VCC, 48VCC/CA Y 240VCA PARA LOS SELECTONE®
MODELOS 300, 300GC Y 302GC**

MODELES 300, 300GC, et 302GC

**SELECTONE® MODELES 300, 300GC et 302GC INSTRUCTIONS
D'INSTALLATION POUR LES APPAREILS
12V CC, 36V CC, 24V CC, 120V CA et 240V CA.**

Address all communications and shipments to:

Dirija todas la correspondencia y envíos a:

Adressez toutes les communiations et expéditions à:



FEDERAL SIGNAL CORPORATION

**MODEL 300, MODEL 300GC, AND MODEL 302GC SELECTONE®
INSTALLATION INSTRUCTIONS FOR 12VDC, 36VDC, 48VDC, 24VAC/DC, 120VAC, AND
240VAC UNITS**

SAFETY MESSAGE TO INSTALLERS

People's lives depend on your safe installation of our products. It is important to follow all instructions shipped with the products. This device is to be installed by a trained electrician who is thoroughly familiar with the National Electrical Code and will follow the NEC Guidelines as well as local codes.

The selection of the mounting location for the device, its controls and the routing of the wiring is to be accomplished under the direction of the Facilities Engineer and the Safety Engineer. In addition, listed below are some other important safety instructions and precautions you should follow:

- Read and understand all instructions before installing or operating this equipment.
- Do not connect this unit to the system when power is on.
- Optimum sound distribution will be severely reduced if any objects are in front of the speaker. You should ensure that the front of the speaker is clear of any obstructions.
- All effective warning speakers produce loud sounds which may cause, in certain situations, permanent hearing loss. You should take appropriate precautions such as wearing hearing protection.
- All effective warning speakers produce loud sounds which may cause, in certain situations, permanent hearing loss. The device should be installed far enough away from potential listeners to limit their exposure while still maintaining its effectiveness. The OSHA Code of Federal Regulations 1910.95 Noise Standard provides guidelines which may be used regarding permissible noise exposure levels.
- After installation, ensure that all bolts and threaded joints are tightened.
- Establish a procedure to routinely check the sound system for proper activation and operation.
- Provide a copy of these instructions to the Safety Engineer, operator(s) and maintenance personnel.
- File these instructions in a safe place and refer to them when maintaining and/or reinstalling the device.

Failure to follow all safety precautions and instructions may result in property damage, serious injury, or death to you or others.

A. General.

The Federal SelecTone is a lightweight, solid-state, compact, selectable tone audible signal of advanced design. It provides continuous duty and economical operation. Unique and distinctive tones are produced by plug-in modules. Each plug-in tone module, which produces the individual signal sounds, contains built-in automatic control circuitry to vary the frequency of an individual selected tone. It is particularly useful in situations which require a distinctive tone, such as areas of high noise level or where a different sound is required to distinguish from other nearby signals. The SelecTone system allows convenience of change with signal need, allowing you to select from the tones shown in table 1.

The Models 300GC and 302GC have been investigated by UL and meet Type 3R enclosure requirements.

B. Unpacking.

After unpacking the SelecTone, examine it carefully for possible damage that may have occurred in transit. If the equipment has been damaged, immediately file a claim with the carrier stating the extent of damage. Carefully check all shipping labels and tags for special instructions before removing or destroying them.

C. Specifications.

Operating Voltage	12, 24, 36, or 48VDC or 24, 120, or 240VAC
Current Requirements	
Model 300 Series C	*12VDC - 1.25 Amperes *36VDC - 600mA
Model 300GC Series C	48VDC - 350mA
Model 300GC Series C	24VDC - 550mA, 24VAC - 1.25 A, 50/60 Hz 120VAC - 270mA, 50/60 Hz, 240VAC - 120mA, 50/60 Hz
Model 302GC Series C	24VDC - 1.1 Amperes, 24VAC - 2.5 A, 50/60 Hz, 120VAC - 500mA, 60 Hz only, 240VAC - 200mA, 50/60 Hz
Weight	
Model 300 and 300GC	5 pounds (2.25kg)
Model 302GC	7 pounds (3.2kg)
Construction	
Amplifier Housing	Die-cast aluminum alloy painted with gray electrostatic powder coating.
Speaker Cone Tip and-Projector	Electrostatic powder-coated spun aluminum
Audibility Ratings	
On Axis @ 10' **	
Model 300GC (all voltages)	110dBA
Model 302GC (all voltages)	114dBA
UL Omnidirectional Sound Level @ 10' **	
Model 300GC	24VAC & 24VDC 96dBA 120VAC 96dBA
Model 302GC	24VDC 102dBA 24 & 120VAC 102dBA

D. Installation.

The SelecTone can be mounted on any relatively flat surface or it can be mounted to a variety of wall boxes by means of an optional CC adapter plate. After the mounting location and the mounting method have been selected, proceed with the applicable instructions below. When installing the SelecTone, seal all holes and conduit fitting threads with Teflon* tape or other sealing material.

* Teflon is a registered trademark of DuPont Corporation.

NOTE

When installing a Model 302 outdoors, ensure that the unit is mounted as shown in figure 1 (1/2-inch threaded hole down). If this precaution is not observed, water damage may result.

1. Flat Surface Mounting.

- a. Loosen the two screws that secure the cover to the housing.
- b. Place the rear of the SelecTone housing against the mounting surface. Use the two mounting holes in the rear of the housing as a template or see figure 1 for the mounting hole location. Scribe positioning marks on the mounting surface.
- c. Secure the unit to wood, plastic, etc. with #10 x 1-inch wood screws. When installing the unit on metal surfaces, drill 13/64-inch diameter holes at the positioning marks and secure with #10 bolts, lockwashers and nuts.

- d. Run wires from power source, through conduit to the SelecTone unit. Wire size depends upon the operating current and the distance from the power source. Install 1/2-inch electrical connector at bottom of SelecTone.

2. Concealed Conduit Mounting.

CAUTION

The 48VDC Model 300GC cannot be mounted using the concealed conduit entry method.

- a. Loosen the two screws that secure the cover to the housing. Gently pull the cover away from the housing.
- b. Install the optional concealed conduit adapter plate on the electrical wall box.
- c. Punch-out the 7/8-inch knockout at the rear of the SelecTone housing.
- d. Install the insulated bushing (supplied with the adapter plate) in the hole at the rear of the SelecTone. Run power leads from the wall box through the insulated bushing.
- e. Use #10-32 screws to secure the SelecTone housing to the adapter plate.

E. Electrical Connections.

1. Single Unit Installations.

Connect one of the SelecTone power leads through an on-off switch, or other switching device, to one side of the power line. The on-off switch must be capable of carrying the current drawn by the SelecTone. Connect the remaining SelecTone power lead to the other side of the power line. When the SelecTone is operated from a DC source, be sure to observe polarity. When operated from an AC source, connect the black power lead to the phase side of the line and the white lead to the common side of the line. Install the tone module in P2 (see figure 2). After installation, check to ensure that the unit is operating properly.

2. Multiple Unit System Installations.

Connect the SelecTone power leads to the power source. When operated from an AC source, connect the black SelecTone power lead to the phase side of the power source and the white or red lead to the common side.

Install a Connector card in P2 as shown in figure 3 or 4. Connect the leads on the Connector card to the signal leads from the SelecTone Command. Refer to the applicable Selectone Command instruction manual for further instructions. For the 300CK, refer to Federal Signal Part No. K2561044 (Model 300VSC-1 SelecTone Command) or Federal Signal Part No. K2561090 (Model 300SCW-1 SelecTone Command). For the 300CKS, refer to Federal Signal Part No. K255A204 (Model 300SSC Supervised SelecTone Command). For the AM25CK and AM70CK, refer to the instructions packed with each unit. After installation, check to ensure that the unit is operating properly.

F. Speaker Positioning.

The SelecTone is constructed to allow adjustment of the speaker to almost any horizontal position. This repositioning of the speaker is accomplished by rotating the speaker. When repositioning the speaker, never rotate the speaker more than 180° or the speaker wires may be damaged. To reposition the speaker, loosen the collar nut that secures the speaker and rotate the speaker to the desired position. Tighten the collar nut.

G. Volume Control.

CAUTION

The volume control is set to maximum at the factory. If the volume level is reduced, be sure that the alarm signal is loud enough to adequately warn.

The Model 300GC and 302GC SelecTone is equipped with a volume control to control the volume of the signal (as indicated in figure 4, there is no volume control in 12VDC units). To gain access to this control, remove the screws that secure the front panel to the housing. The volume control is mounted on the amplifier mounting bracket (see figures 2 or 3) of Models 300GC and 302GC only.

H. Operation.

SAFETY MESSAGE TO OPERATORS

Listed below are some important safety instructions you should follow:

- Read and understand all instructions before operating this unit.
- All effective warning speakers produce loud sounds which may cause, in certain situations, permanent hearing loss. You should take appropriate precautions such as ensuring that the recommendations in OSHA Sound Level Standard (29CFR 1910) 1910.95 are not exceeded.
- Although your warning system is operating properly, it may not be completely effective. People may not hear or heed your warning signal. You must recognize this fact and ensure that your warning signal is achieving the desired effect.

Single unit installations are activated by a user-supplied switch. Units installed as part of a system are activated by a SelecTone Command unit. Refer to the SelecTone Command manual for additional information.

I. Maintenance.

SAFETY MESSAGE TO MAINTENANCE PERSONNEL

- Read and understand all instructions before performing any maintenance to this unit.
- To reduce the risk of electrical shock or ignition of hazardous atmospheres, do not perform maintenance/service on this device when circuits are energized.
- Optimum sound distribution will be reduced if speaker becomes clogged with a foreign substance. Periodic checks should be performed to ensure foreign substances are not packed into the speaker.
- Any maintenance to the unit MUST be performed by a trained electrician in accordance with NEC Guidelines and local codes.
- Never alter the unit in any manner. Safety in hazardous locations may be endangered if additional openings or alterations are made in units specifically designed for use in these locations.
- The nameplate, which may contain cautionary or other information of importance to maintenance personnel, should not be obscured if exterior of housings used in hazardous locations are painted.

Failure to follow all safety precautions and instructions may result in property damage, serious injury, or death to you or others.

Other than cleaning, no regularly scheduled maintenance is required. To ensure unit is operating properly, it should be tested at regularly scheduled intervals.

In the event volume adjustment, tone module replacement, or repair is required, refer to the Safety Message to Maintenance Personnel before proceeding.

J. Service.

The Federal factory will service your equipment or provide technical assistance with any problems that cannot be handled locally.

Any units returned to Federal Signal for service, inspection, or repair must be accompanied by a Return Material Authorization. This R.M.A. can be obtained from the local Distributor or Manufacturer's Representative.

At this time a brief explanation of the service requested, or the nature of the malfunction, should be provided.

Address all communications and shipments to:

FEDERAL SIGNAL CORPORATION
Electrical Products Division
Service Department
2645 Federal Signal Drive
University Park, IL 60466-3195

K. Replacement Parts.

<u>Description</u>	<u>Part Number</u>	<u>Part Number</u>
	Series C	Series A-A2
Amplifier Assy., 300-012	K200B467	K200B467
Amplifier Assy., 300-036	K200B533	K200B533
Amplifier Assy., 300GC	K200B528	K200B528
Amplifier Assy., 302GC	K200B683A	K200B683B
Voice Coil, 300GC	K8593035A	K110A703
Voice Coil, 302GC	K8593036A	K288A146A
Transformer, 300GC-120	K120B121K-05	K120B121K-05
Transformer, 302GC-120	K120B224D	K120B224D
Transformer, 300GC-240	K120B128E-01	K120B128E-01
Transformer, 302GC-240	K120B232C	K120B232C
Speaker, 300GC	K8593040A	K132156A
Speaker, 302GC	K8593041A	K132157A

INSTRUCCIONES DE INSTALACION PARA LAS UNIDADES DE 12VCC, 36VCC, 48VCC/CA Y 240VCA PARA LOS SELECTONE® MODELOS 300, 300GC Y 302GC

MENSAJE DE SEGURIDAD A LOS INSTALADORES

La vida de personas depende de la instalación segura de nuestros productos. Es importante seguir todas las instrucciones enviadas con los productos. Este dispositivo lo debe instalar un electricista calificado que esté familiarizado con el Código Nacional Eléctrico y siga las normas así como los códigos locales.

La selección del sitio de montaje del dispositivo, sus controles y la ruta del alambrado, se hará bajo la dirección del Ingeniero de Facilidades y el Ingeniero de Seguridad. Sin embargo, a continuación se listan algunas otras instrucciones y precauciones de seguridad que se deben seguir:

- Lea y comprenda todas las instrucciones antes de instalar u operar este equipo.
- No conecte esta unidad al sistema si está encendido.
- La distribución óptima del sonido se reducirá severamente si hay un objeto en frente del parlante y por tanto debe asegurarse que su frente esté despejado de obstrucciones.
- Todos los parlantes efectivos de prevención producen sonidos fuertes, que pueden causar en ciertas ocasiones, pérdida permanente del oído y se deben tomar las debidas precauciones tales como usar protectores auditivos.
- Todos los altavoces de advertencia eficaces producen sonidos altos que pueden causar, en algunos casos, una pérdida definitiva de audición. El dispositivo debe instalarse a una distancia suficiente de los oyentes potenciales para limitar su exposición al ruido pero manteniendo al mismo tiempo la eficacia de los altavoces. El Reglamento OSHA (EEUU) 1910.95 de Normas Federales sobre Normas para Ruidos establece las pautas sobre los niveles de exposición permisible a ruidos.
- Después de la instalación, asegúrese de que todos los tornillos y juntas roscadas estén apretadas.
- Establezca un procedimiento rutinario para probar que el sistema de sonido se activa y opera adecuadamente.
- Entregue una copia de estas instrucciones al Ingeniero de seguridad, operadores y personal de mantenimiento.
- Archive estas instrucciones en un lugar seguro y consúltelas cuando le haga mantenimiento o reinstale el dispositivo.

El no seguir todas las instrucciones y precauciones de seguridad, puede provocar daños a la propiedad, lesiones severas y aún su muerte o la de otros.

A. General.

El SelecTone de señal audible de Federal es de peso liviano, compacto, de estado sólido y diseño avanzado. Provee servicio continuo y operación económica. Produce tonos únicos y diferentes por módulos enchufables. Cada módulo de tono, que produce sonidos de señal individual, contiene circuitos incorporados de control automático para variar la frecuencia de un tono individual seleccionado. Es particularmente útil en situaciones que requieren un tono distintivo, tales como áreas de alto nivel de ruido o donde se requiere un sonido diferente para distinguirlos de otras señales cercanas. El sistema SelecTone permite la conveniencia de cambios con la señal que se necesita, permitiéndole seleccionar de los tonos mostrados en la tabla 1. Los Modelos 300GC y 302GC han sido investigados por el UL y conforman a los requisitos del tipo 3R para recintos.

B. Desempaque.

Después de desempacar la unidad, examine cuidadosamente si hay daños de transporte.

Si hubo daños, haga de inmediato un reclamo al transportador, estableciendo el monto del daño. Revise cuidadosamente todos los sellos de embarque y marquillas para instrucciones especiales antes de removerlos o destruirlos.

C. Especificaciones.

Voltaje de operación	12, 24 o 36VCC o 24, 120 o 240VCA
Requerimientos de corriente	
Modelo 300 Serie C	*12VCC - 1,25 Amp, *36VCC - 600mA
Modelo 300GC Serie C	48V CC - 350mA
Modelo 300GC Serie C	24VCC - 550 mA, 24VCA - 1,25 Amp, 50/60Hz 120 VCA- 270mA, 56/60Hz, 240 VCA- 120mA, 50/50Hz
Modelo 302GC Serie C	24VCC - 1,1 Amp, 24VCA - 2,5 Amp, 56/50Hz, 120 VCA-500mA, 60Hz solamente, 240 VCA-200mA, 56/50Hz
Peso (aproximado)	
Mod 300 y 300GC	5lbs (2,25 kg)
Mod 302GC	7 lbs (3,2kg)
Construcción	
Carcaza amplificador	Aleación de aluminio fundido pintado con una capa de polvo electrostático gris.
Extremo cónico del Parlante y proyector	Aluminio centrifugado cubierto de polvo electrostático
Rangos Audibles	
En el eje @ 10' **	
Modelo 300GC(todos los voltajes)	110dBA
Modelo 302GC(todos los voltajes)	114dBA
Nivel sonoro omnidireccional UL @ 10'***	
Modelo 300GC	24VCA y 24 VCC 96 dBA 120VCA 96 dBA
Modelo 302GC	24VCC 102dBA 24 y 120 VCA 102dBA

D. Instalación.

El "SelecTone" puede ser instalado en una superficie relativamente plana o en una variedad de cajas eléctricas por el usar de un plato adaptador opcional de Modelo CC. Después de seleccionar la localización y método de instalación, siga el procedimiento de las instrucciones aplicables más adelante. Cuando instale el SelecTone, selle los agujeros y las roscas del conduit con cinta de Teflón* u otro material sellante.

* Teflón es una marca de fábrica de Dupont Corp.

NOTA

Cuando instale el Modelo 302 en intemperie, asegúrese de que la unidad está montada como se muestra en el diagrama 1 con el agujero roscado de 1/2" al bajo. Sin esta precaución daño por aqua puede realizarse.

1. Instalación en superficie plana.

- Afloje los 2 tornillos que aseguran la cubierta a la caja.
- Ponga la parte posterior del SelecTone contra la superficie de montaje. Use los 2 orificios de montaje en el posterior de la caja como plantilla o vea la Fig 1 para la localización de huecos de montaje. Marque la posición sobre la superficie de montaje.
- Asegure la unidad a madera, plástico, etc con tornillos de madera No 10 x 1". Cuando instale la unidad sobre superficies metálicas haga taladros de 13/64" de diam. en los puntos marcados y asegúrelos con los tornillos No 10 y arandelas de presión.

- d. Meta los cables de fuerza, a través del conduit hasta la unidad SelecTone. El calibre del cable depende de la corriente de operación y la distancia desde la fuente de alimentación. Instale el conector eléctrico de 1/2" en la base del SelecTone.

2. Montaje del Conduit Embebido.

AVISO

El Modelo 300GC (48 VCA) no puede ser montado en estilo embebido.

- a. Afloje los 2 tornillos que aseguran la cubierta a la caja. Suavemente quite la cubierta de la caja.
- b. Instale la placa adaptadora opcional de conduit embebido en la caja eléctrica de la pared.
- c. Quite el tapón de 7/8" de la parte posterior de la caja SelecTone.
- d. Instale el buje aislado (suministrado con la placa adaptadora) en el agujero en la parte posterior del SelecTone y meta los cables de fuerza de la caja de la pared a través del buje aislado.
- e. Use los tornillos # 10-32 para asegurar la caja del SelecTone a la placa adaptadora.

E. Conexiones Eléctricas.

1. Instalaciones de Unidad Sencilla.

Conecte una de las puntas de fuerza del SelecTone al interruptor ON-OFF u otro dispositivo de interrupción y después a un lado de la línea eléctrica. El interruptor ON-OFF debe ser capaz de manejar la corriente que consume el SelecTone. Conecte la otra punta de fuerza del SelecTone al otro lado de la línea eléctrica. Cuando el SelecTone se opera con corriente continúa asegúrese de observar la polaridad. Cuando se opera con Corriente Alterna conecte la punta negra al lado de fase de la línea y la punta blanca al lado común de la línea. Instale el módulo de tono en P2 (vea Fig 2). Después de su instalación asegúrese de que la unidad esté operando adecuadamente.

2. Instalaciones de Sistemas de Unidades Múltiples.

Conecte las puntas de fuerza del SelecTone a la fuente de alimentación. Cuando opere con una fuente de corriente alterna conecte la punta de fuerza negra del SelecTone al lado de fase de la fuente de alimentación y la punta blanca o roja al lado común.

Instale una tarjeta conectora en P2 como se muestra en la figura 3 o 4. Conecte los cables en la tarjeta conectora a los cables de señal del comando SelecTone. Diríjase a las instrucciones aplicables del manual del comando SelecTone para más instrucciones.

Para el 300CK, diríjase al repuesto Federal Signal N° K2561044 (comando selector de tono Modelo 300VSC-1) o al repuesto Federal Signal N° K2561090 (comando selector de tono Modelo 300SCW-1). Para el 300CKS, diríjase al repuesto Federal Signal N° K255A204 (comando selector de tono supervisado Modelo 300SSC). Para los AM25CK y AM70CK, refiérase a las instrucciones adjuntas a cada unidad. Después de la instalación, asegúrese que la unidad está operando correctamente.

F. Posición del Parlante.

El selector de tono está construido para permitir ajustes del parlante a casi cualquier posición horizontal. Para reposicionar el parlante, simplemente rótelo. Cuando reposicione el parlante, nunca lo rote más de 180° ó de lo contrario, los cables pueden sufrir daños. Para reposicionar el parlante, afloje la rosca que asegura el parlante, rótelo a la posición deseada y asegure nuevamente la rosca.

G. Control del Volumen.

PREVENCION

El control del volumen se ajusta al máximo en la fábrica. Si el nivel de volumen se reduce, asegúrese que la señal de alarma es suficientemente alta a una distancia adecuada.

Los SelecTone Modelos 300GC y 302GC se equipan con un control de volumen que permite variar el volumen de la señal (como se indica en la figura 4, no hay ningún control de volumen en las unidades de 12VCC). Para tener acceso a este control, remueva los tornillos que aseguran el panel frontal de la caja. El control de volumen está localizado sobre el soporte de montaje del amplificador (ver figura 2 o 3) de los Modelos 300GC y 302GC solamente.

H. Operación.

MENSAJE DE SEGURIDAD A LOS OPERADORES

A continuación, se listan algunas instrucciones de seguridad importantes que usted debe seguir:

- Lea y comprenda todas las instrucciones antes de operar este equipo.
- Todos los parlantes efectivos de prevención producen sonidos fuertes, que pueden causar en ciertas ocasiones pérdida permanente del oído y se deben tomar las debidas precauciones tales como asegurarse de que las recomendaciones de la norma sobre el nivel de ruido OSHA (29CFR 1910) 1910.95 (EEUU) no se excedan.
- Aún cuando su sistema de prevención esté operando adecuadamente, puede que no sea completamente efectivo. El personal puede no oír o atender su señal de alerta. Debe reconocerse este hecho y asegurarse de que su señal de alerta esté surtiendo el efecto debido.

Las instalaciones de unidades sencillas son activadas por un interruptor suministrado por el usuario. Las unidades instaladas como parte de un sistema son activadas por una unidad de comando SelecTone. Busque en el manual del comando SelecTone cualquier información adicional.

I. Mantenimiento.

MENSAJE DE SEGURIDAD AL PERSONAL DE MANTENIMIENTO

- Lea y comprenda todas las instrucciones antes de hacer mantenimiento a esta unidad.
- Para reducir el riesgo de choques eléctricos o la ignición de atmósferas peligrosas, no haga mantenimiento o servicio a este aparato con el circuito energizado.
- La distribución óptima del sonido se reduce si el parlante se bloquea con sustancias extrañas. Periódicamente, se debe revisar que no haya sustancias extrañas dentro del parlante.
- Cualquier mantenimiento a la unidad TIENE que ser hecho por un electricista se prepara de acuerdo con el NEC y los códigos locales.
- Nunca altere la unidad en ninguna manera. La seguridad en sitios de alto riesgo puede ponerse en peligro si se adicionan agujeros o se hacen alteraciones a las unidades específicamente diseñadas para uso en estas áreas.
- La placa, que puede tener información de importancia o precauciones para el personal de mantenimiento, no se deberá cubrir con pintura si la caja exterior se pinta.

El no seguir todas las instrucciones y precauciones de seguridad, puede provocar daños a la propiedad, lesiones severas y aún su muerte o la de otros.

A excepción de limpieza, no se requieren mantenimientos regularmente programados. Para asegurar que la unidad esté operando adecuadamente, se debe probar a intervalos regulares programados.

En el evento que requiera un ajuste de volumen, el reemplazo de un módulo de tono, o una reparación, diríjase al Mensaje de seguridad para el personal de mantenimiento antes de proceder.

J. Servicio.

La Federal Signal Corp. le hará servicio a su equipo o proveerá asistencia técnica a los problemas que no se puedan manejar localmente.

Cualquiera unidad que se devuelva a Federal Signal para servicio, inspección o reparación, debe acompañarse de una autorización de “material devuelto” (R.M.A.). Esta R.M.A. se puede obtener con el representante o distribuidor local del fabricante y se adjuntará una breve explicación de la necesidad del servicio o la naturaleza del mal funcionamiento.

Dirija todas las comunicaciones y envíos a:

FEDERAL SIGNAL CORPORATION
Electrical Products Division
Service Department
2645 Federal Signal Drive
University Park, IL 60466-3195

K. Piezas de Recambio.

<u>Descripción</u>	<u>Número de Parte</u>	<u>Número de Parte</u>
	Serie C	Serie A-A2
Conjunto ampl., 300-012	K200B467	K200B467
Conjunto ampl., 300-036	K200B533	K200B533
Conjunto ampl., 300GC	K200B528	K200B528
Conjunto ampl., 302GC	K200B683A	K200B683B
Bobina de voz, 300GC	K8593035A	K110A703
Bobina de voz, 302GC	K8593036A	K288A146A
Transformador, 300GC-120	K120B121K-05	K120B121K-05
Transformador, 302GC-120	K120B224D	K120B224D
Transformador, 300GC-240	K120B128E-01	K120B128E-01
Transformador, 302GC-240	K120B232C	K120B232C
Parlante, 300GC	K8593040A	K132156A
Parlante, 302GC	K8593041A	K132157A

SELECTONE® MODELES 300, 300GC et 302GC INSTRUCTIONS D'INSTALLATION POUR LES APPAREILS 12V CC, 36V CC, 24V CC, 120V CA et 240V CA.

MESSAGE DE SECURITE AUX INSTALLATEURS

La vie des personnes dépend de votre installation de nos produits en sécurité. Il est important de lire, comprendre et suivre toutes les instructions expédiées avec ce produit. De plus, ci-dessous sont données des instructions et précautions de sécurité importantes que vous devez suivre.

Ce dispositif doit être installé par des électriciens professionnels qui sont complètement au courant du Code Electrique National et respecteront les recommandations NEC ainsi que les codes locaux. Le choix de l'endroit de montage du dispositif, de ses commandes et du passage des câbles doit être effectué sous la direction de l'ingénieur des services électriques et de l'ingénieur de sécurité. De plus, sont énumérées ci-dessous quelques autres instructions et précautions de sécurité importantes que vous devez suivre:

- Lire et comprendre toutes les instructions avant d'installer ou d'utiliser ce matériel.
- Ne connectez pas ce phare au système si la tension est présente.
- Une répartition optimale du son sera gravement réduite si des objets se trouvent devant le haut-parleur. Vous devez vous assurer que l'avant du haut-parleur est dégagé de tout obstacle.
- Tous les haut-parleurs effectifs d'avertissement produisent des sons puissants qui peuvent causer dans certaines situations une perte permanente de l'ouïe. Vous devez prendre des précautions appropriées comme le port de protection de l'ouïe.
- Tous les haut-parleurs efficaces produisent des sons importants qui peuvent causer, dans certaines situations, une perte permanente de l'ouïe. Cet appareil doit être installé assez loin de personnes auditrices afin de limiter leurs expositions tout en conservant l'efficacité du haut-parleur. Le Code de Réglementations Fédérales OSHA 1910.95 concernant la Norme de Bruit fournit des directives qui peuvent être utilisées en ce qui concerne les niveaux permis d'exposition au bruit.
- Après installation, assurez-vous que tous les boulons et les joints filetés sont serrés.
- Etablissez une procédure pour vérifier régulièrement le système sonore concernant son actionnement et son fonctionnement.
- Fournissez une copie de ces instructions à l'ingénieur de sécurité, aux opérateurs et au personnel d'entretien.
- Classez ces instructions dans un endroit sûr et référez-vous à elles lorsque vous entretenez ou réinstallez le dispositif.

Si on ne respecte pas ces précautions de sécurité, il peut en résulter des dommages aux biens, des blessures graves ou mortelles pour vous ou d'autres.

A. Generalites.

Le SelecTone de Federal est un signal sonore à tonalité sélectionnable, de poids léger, à semi-conducteur, compact, et de conception avancée. Il permet un service continu et un fonctionnement économique. Des tonalités uniques et distinctes sont produites par des modules enfichés. Chaque module de tonalité enfiché, qui produit les sons de signalisation séparés, contient des circuits de commande automatique intégrés pour varier la fréquence d'une tonalité séparée sélectionnée. Il est particulièrement utile dans des situations qui nécessitent une tonalité distincte, comme des zones de hauts niveaux de bruit ou bien là où un son différent est nécessaire pour distinguer d'autres signaux proches. Le système SelecTone permet de changer commodément en fonction du besoin de signaux, en vous permettant de sélectionner parmi les tonalités indiquées sur le tableau 1.

B. Deballage.

Après déballage du SelecTone, inspectez-le pour voir s'il a été endommagé pendant le transport. S'il a été endommagé, faites une déclaration immédiatement auprès du transporteur en indiquant les dommages. Vérifiez soigneusement toutes les enveloppes, les étiquettes d'expédition et les étiquettes volantes avant de les retirer ou les détruire.

C. Specifications.

Tension de service	12, 24 ou 36V CC ou 24, 120 ou 240V CA
Exigences de courant	
Modèle 300 Série C	*12V CC - 1,25 A,*36VCC - 600mA
Modèle 300GC Série C	48 V CC - 350mA
Modèle 300GC Série C	24V CC - 550mA,24V CA - 1,25 A,50/60 Hz, 120V CA - 270mA, 50/60 Hz, *240VCA - 120mA, 50/60 Hz
Modèle 302GC Série C	24V CC - 1,1 A, 24V CA - 2,5 A50/60 Hz, 120V CA - 500mA, 60 Hz uniquement, *240V CA - 200mA, 50/60 Hz
Poids	
Modèles 300 et 300GC	2,25kg
Modèle 302GC	3,2kg
Construction	
Carter d'amplificateur	Alliage d'aluminium moulé sous pression avec un revêtement en poudre électrostatique grise.
Projecteur et embout de cône diffuseur	Aluminium repoussé recouvert de poudre électrostatique
Taux d'audibilité	
Sur l'axe @ 10' **	
Modèle 300GC (toutes tensions)	110 dBA
Modèle 302GC (toutes tensions)	114 dBA
Niveau de son toutes directions UL à 10' **	
Modèle 300GC	24V CA et 24V CC 96 dBA 120V CA 96 dBA
Modèle 302GC	24V 102 dBA 24 et 120V CA 102 dBA

D. Installation.

Le SelecTone peut être monté sur toutes surfaces relativement plates ou il peut être monté sur une variété de boîtiers muraux à l'aide de la plaque adaptatrice en option CC. Après sélection de l'emplacement de montage et de la méthode de montage, procédez selon les instructions applicables ci-dessous. Lors de l'installation du SelecTone, bouchez tous les trous et les filetages de raccord de conduit avec de la bande Téflon* ou autre matériau d'étanchéité.

* Téflon est une marque déposée de Dupont Corporation.

NOTE

Lors de l'installation d'un Modèle 302 à l'extérieur, assurez-vous que l'appareil est monté comme indiqué en figure 1 (le trou taraudé 1/2" vers le bas). Si cette précaution n'est pas respectée, il peut en résulter des dommages par l'eau.

1. Montage sur Surface Plane.

- Desserrez les deux vis qui fixent le couvercle au carter.
- Placez l'arrière du carter de SelecTone contre la surface de montage. Utilisez les deux trous de montage à l'arrière du carter comme gabarit ou voir figure 1 pour l'emplacement du trou de montage. Inscrivez des marques de positionnement sur la surface de montage.

- c. Fixez l'unité sur du bois, plastique, etc. avec des vis à bois # 10 x 1". Lors de l'installation de l'appareil sur des surfaces métalliques, percez des trous de diamètre 13/64" aux marques de positionnement et fixez avec des boulons # 10, rondelles Grower et écrous.
- d. Faites passer les fils depuis la source d'alimentation par le conduit jusqu'à l'appareil SelecTone. La dimension des fils dépend du courant de service et de la distance de la source d'alimentation. Installez le connecteur électrique 1/2" en bas de SelecTone.

2. Montage sur Conduit Caché.

- a. Desserrez les deux vis qui fixent le couvercle au carter. Tirez doucement sur le couvercle pour le sortir du carter.
- b. Installez la plaque adaptatrice de conduit caché en option sur le boîtier électrique mural.
- c. Chassez les pastilles amovibles de 7/8" à l'arrière du carter SelecTone
- d. Installez la douille isolée fournie avec la plaque adaptatrice dans le trou à l'arrière du SelecTone. Faites passer les fils d'alimentation électrique depuis le boîtier mural par la douille isolée.
- e. Utilisez les vis 10-32 pour fixer le carter SelecTone à la plaque adaptatrice.

E. Connexions Électriques.

1. Installation d'un Seul Appareil.

Connectez un des câbles d'alimentation du SelecTone par un interrupteur marche-arrêt, ou autre dispositif de commutation, à un côté de la ligne électrique. L'interrupteur marche-arrêt doit être capable de tenir l'intensité prise par le SelecTone. Connectez le câble d'alimentation restant de SelecTone à l'autre extrémité de la ligne électrique. Lorsque le SelecTone est actionné à partir d'une source CC, respectez bien la polarité. Lors de fonctionnement à partir d'une source CA, connectez le câble d'alimentation noir à la phase de la ligne et le câble blanc au commun de la ligne. Installez le module de tonalité en P2 (voir figure 2).

Après installation, vérifiez que l'appareil fonctionne correctement.

2. Installations d'un Système à Appareil Multiple.

Connectez les câbles d'alimentation du SelecTone à la source d'alimentation. Lors de fonctionnement à partir d'une source CA, connectez le câble d'alimentation noir de SelecTone au côté phase de la source électrique et le blanc ou le rouge, côté commun. Installez une carte de connecteur en P2 comme indiqué sur la figure 3 ou 4. Connectez les câbles sur la carte du connecteur aux câbles de signaux venant de la commande de SelecTone. Référez-vous au Manuel d'Instructions applicable pour la commande SelecTone concernant d'autres instructions. Pour le 300CK, référez-vous à la pièce Federal Signal n° K2561044 (Modèle 300VSC-1 commande SelecTone) ou Pièce Federal Signal N° K2561090 (Modèle 300SCW-1 commande SelecTone). Pour le 300CKS, référez-vous à la pièce Federal Signal N° K255A204 (Modèle 300SSC commande SelecTone supervisée). Pour les AM25CK et 1M70CK, référez-vous aux instructions emballées avec chaque appareil. Après installation, vérifiez que l'appareil fonctionne correctement.

F. Positionnement du Haut-parleur.

Le SelecTone est construit pour permettre l'ajustage du haut-parleur dans presque toutes positions horizontales. Ce repositionnement du haut-parleur est exécuté en faisant tourner le haut-parleur. Lorsque l'on repositionne le haut-parleur, il ne faut jamais faire tourner le haut-parleur de plus de 180°, sinon les fils du haut-parleur peuvent être endommagés.

Pour repositionner le haut-parleur, desserrez l'écrou à collerette qui fixe le haut-parleur et faites tourner le haut-parleur à la position désirée. Resserrez l'écrou à collerette.

G. Commande de Volume.

ATTENTION

La commande de volume est réglée au maximum à l'usine. Si le niveau de volume est réduit, assurez-vous que le signal d'alarme est suffisamment fort pour avertir correctement.

Les Modèles SelecTone 300GC et 302GC sont équipés d'une commande de volume pour contrôler le volume du signal (comme indiqué en figure 4, il n'y a pas de commande de volume dans les appareils 12V CC). Pour obtenir l'accès à cette commande, retirez les vis qui fixent le panneau avant au carter. La commande de volume est montée sur le support de montage d'amplificateur (voir figure 2 ou figure 3) des Modèles 300GC et 302GC seulement.

H. Fonctionnement.

MESSAGE DE SECURITE AUX OPERATEURS

Ci-dessous sont énumérées d'importantes instructions de sécurité que vous devez suivre:

- Lire et comprendre toutes les instructions avant de faire fonctionner cet appareil.
- Tous les haut-parleurs de signalisation efficaces produisent des sons forts qui peuvent causer dans certaines situations une perte permanente de l'ouïe. Vous devez prendre des précautions appropriées telles que vous assurer que les recommandations du niveau de son OSHA (29CFR 1910) 1910.95 ne sont pas dépassées.
- Bien que votre système de signalisation fonctionne correctement, il peut ne pas être complètement efficace. Des personnes peuvent ne pas entendre ou obéir à votre signal d'avertissement. Vous devez reconnaître ce fait et vous assurer que votre signal d'avertissement obtient l'effet désiré.

Les installations à un seul appareil sont actionnées par un interrupteur fourni par l'utilisateur.

Les unités installées comme faisant partie d'un système sont actionnées par un appareil de commande SelecTone. Référez-vous au Manuel de Commande SelecTone pour des renseignements complémentaires.

I. Entretien.

MESSAGE DE SECURITE AU PERSONNEL D'ENTRETIEN

- Lire et comprendre toutes les instructions avant d'exécuter de l'entretien sur cet appareil.
- Pour réduire le risque de chocs électriques ou d'allumages d'atmosphères dangereuses, ne faites pas d'entretien ou de service sur ce dispositif si les circuits sont sous tension.
- La répartition optimale de son est réduite si le haut-parleur se bouche avec des produits étrangers. Des vérifications périodiques doivent être effectuées pour assurer qu'aucun produit étranger ne s'amasse dans le haut-parleur.
- Tout entretien de l'unité DOIT être fait par un électricien professionnel conformément aux recommandations NEC et aux codes locaux.
- Ne jamais modifier l'unité de quelle que manière que ce soit. La sécurité dans des lieux dangereux peut être mise en cause si des ouvertures supplémentaires ou d'autres modifications sont faites dans des unités spécifiquement conçues pour utiliser dans ces endroits.
- La plaque de caractéristiques, qui peut contenir des informations d'avertissement ou autres d'importance pour le personnel d'entretien, ne doit PAS être cachée si l'extérieur des carter utilisés dans des zones dangereuses est peint

Si on ne respecte pas ces précautions de sécurité, il peut en résulter des dommages aux biens, des blessures graves ou mortelles pour vous ou d'autres.

Autre qu'un nettoyage, aucun entretien programmé régulier n'est nécessaire. Pour assurer que l'appareil fonctionne correctement, il doit être essayé à intervalles réguliers programmés. Au cas où l'ajustage de volume, le remplacement de module de son ou une réparation sont nécessaires, référez-vous au message de sécurité au personnel d'entretien avant de continuer.

J. Service.

L'usine de Federal Signal fera le service de votre matériel et fournira une assistance technique pour tout problème qui ne puisse être traité localement.

Toutes les unités renvoyées à Federal Signal pour un service, inspection ou réparation doivent être accompagnées d'une autorisation de retour de matériel. Cette R.M.A. peut être obtenue auprès du distributeur local ou du représentant du fabricant.

A ce moment, une courte explication du service demandé, ou la nature du mauvais fonctionnement doit être donnée.

Adressez toutes les communications et expéditions à:

FEDERAL SIGNAL CORPORATION

Electrical Products Division
Service Department
2645 Federal Signal Drive
University Park, IL 60466-3195

K. Pièces de Remplacement.

<u>Description</u>	<u>Référence de Pièce</u> Série C	<u>Référence de Pièce</u> Série A-A2
Ensemble de l'amplificateur, 300-012	K200B467	K200B467
Ensemble de l'amplificateur, 300-036	K200B533	K200B533
Ensemble de l'amplificateur, 300GC	K200B528	K200B528
Ensemble de l'amplificateur, 302GC	K200B683A	K200B683A
Bobine mobile, 300GC	KK8593035A	K110A703
Bobine mobile, 302GC	K8593036A	K288A146A
Transformateur, 300GC-120	K120B121K-05	K120B121K-05
Transformateur, 302GC-120	K120B224D	K120B224D
Transformateur, 300GC-240	K120B128E-01	K120B128E-01
Transformateur, 302GC-240	K120B232C	K120B232C
Haut-parleur, 300GC	K8593040A	K132156A
Haut-parleur, 302GC	K8593041A	K132157A

Table 1. UTM (Universal Tone Module)

DIP Switch Setting	Tone	Sound	Audible Frequency	Repetition Rate
↑↑↑↑↑ 12345	WAIL TM1	Conventional Siren	560-1055 Hz	11 Cycles/min.
↑↑↑↑↓ 12345	YELP TM2	Rapid Siren	560-1055 Hz	3.3 Cycles/sec
↑↑↑↑↑ 12345	HI-LO TM3	Alternating High & Low	Low Tone 561 Hz Hi Tone 760 Hz	50 Cycles/min.
↑↑↑↓↓ 12345	BELL TM4	Bell, Struck Rapidly	801 Hz	50 Cycles/min
↑↑↑↑↑ 12345	YEOW TM5	Descending high to low-repeated	High freq 1295 Hz Low freq, 545 Hz	36 Cycles/min
↑↑↑↑↓ 12345	HORN TM6	Steady Horn	470 Hz	Continuous
↑↑↓↑↓ 12345	BEEP TM7	Slow intermittent horn	435 Hz	50 Cycles/min
↑↑↓↓↓ 12345	STUTTER TM8	Rapid intermittent horn	470 Hz	5 Cycles/sec.
↑↑↑↑↑ 12345	SLOW WHOOP TM9	Slow ascending, low to high repeated	Low freq. 424 Hz Hi freq. 1163 Hz	15 Cycles/min
↑↑↑↑↓ 12345	GRADUAL HORN TM10	Steady horn- Gradually increasing in volume	514 Hz	Continuous
↑↑↑↑↑ 12345	TEMPORAL SLOW WHOOP TM11	NFPA coded slow Whoop	500-1200 Hz	15 Cycles/min
↑↑↑↓↓ 12345	WESTMINSTER CHIME TM12	Westminster Chime	Musical Tones	1 Cycle, 8 notes
↑↑↑↑↑ 12345	EVAC TM13	Amplitude modular horn	479 Hz	4.3 Cycles/sec
↑↑↑↓↑ 12345	AIR HORN TM14	Steady Horn	Low Tone 400 Hz Hi Tone 800 Hz	Continuous
↑↑↑↑↑ 12345	CHIME TM15	Single Strike Chime	Musical Tone	49 Cycles/min
↑↑↓↓↓ 12345	PHASER TM16	Rapid Siren	600 Hz-1200-Hz	15 Cycles/sec
↑↑↑↑↑ 12345	ALTERNATE HI-LO TM17	Alternating hi-lo	Low Tone 363 Hz Hi Tone 518 Hz	60 Cycles/min
↑↑↑↑↓ 12345	WARBLE TM18	Extremely Rapid Siren	560-1055 Hz	6.3 Cycles/sec
↑↑↑↑↓ 12345	ALERT TM19	Slow Sweep Tone	400-1560 Hz	Ascending
↑↑↑↓↑ 12345	EURO-POLICE TM20	Alternating Hi-Lo	Hi Tone 969 Hz Low Tone 800 Hz	30 Cycles/min
↑↑↑↑↑ 12345	EURO-FIRE TM21	Sweep Tone	900-800	Continuous
↑↑↑↓↑ 12345	EURO-SLOW WHOOP TM22	Slow Sweep Tone	650-1290 Hz	3.5 Cycles/sec
↑↑↑↑↑ 12345	EURO-GENERAL TM23	Intermittent Horn	969 Hz	60 Cycles/sec
↑↑↓↓↓ 12345	EURO-TOXIC TM24	Steady Horn	969 Hz	Continuous
↑↑↑↑↑ 12345	EURO-POLICE II TM25	Slow Alternating Hi-Lo	Hi Tone 554 Hz Low Tone 440 Hz	Alternating Slow
↑↑↑↑↓ 12345	EURO-STUTTER TM26	Intermittent Beep	2840 Hz	252ms/cycle
↑↑↑↑↑ 12345	EURO SWEEP TM27	Sweep Tone	1163-397 Hz	Descending
↑↑↑↓↑ 12345	RINGER TM28	Continuous Ringing Tone	Hi Tone 560 Hz Low Tone 326 Hz	Fast Alternating
↑↑↑↑↑ 12345	BUZZER TM29	Buzzer Tone	Hi Tone 1318 Hz Low Tone 760 Hz	Continuously Alternating
↑↑↑↓↑ 12345	ATTENTION TM30	Extremely Rapid Siren	Multiple Frequency	1 cycle 8 tones
↑↑↑↑↑ 12345	MULTI-TONE TM31	Extremely Rapid Siren	Multiple Frequency	1 cycle 8 tones
↑↑↓↓↓ 12345	CAUTION TM32	Extremely Rapid Siren	Multiple Frequency	1 cycle 8 tones

NOTE: TM12 (Westminster Chime) is not a repeating tone.

Tabla 1. Módulo de Tono Universal

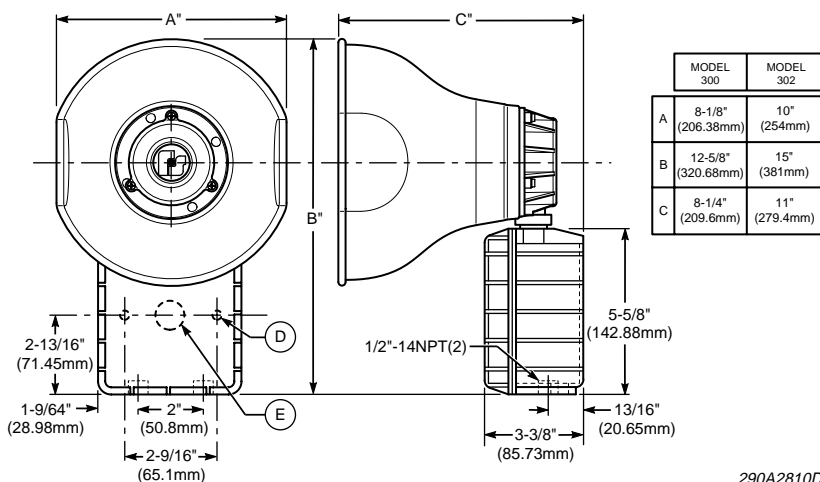
Ajuste de conmutadores DIP	Tono	Sonido	Frecuencia audible	Tasa de repetición
↑↑↑↑ 12345	GEMIDO TM1	Sirena convencional	560-1055 hz.	11 ciclos/min.
↑↑↑↓ 12345	AULLIDO TM2	Sirena rápida	560-1055 hz.	3,3 ciclos/seg.
↑↑↑↑ 12345	AGUDO-GRAVE TM3	Alternando agudo y grave	Tono grave 561 hz. Tono agudo 760 hz.	50 ciclos/min.
↑↑↑↓ 12345	CAMPANA TM4	Campana, golpeada rápidamente	801 hz.	50 ciclos/min.
↑↑↑↓ 12345	ALARIDO TM5	Descendente de agudo a grave-repetido	Alta frec. 1295 hz. Baja frec. 545 hz.	36 ciclos/min.
↑↑↑↓ 12345	BOCINA TM6	Bocina constante	470 hz.	Continuo
↑↑↑↑ 12345	PITIDO TM7	Bocina lenta intermitente	435 hz.	50 ciclos/min.
↑↑↑↓ 12345	TABLETEO TM8	Bocina rápida intermitente	470 hz.	5 ciclos/seg.
↑↑↑↑ 12345	CHILLIDO LENTO TM9	Lento ascendente, grave a agudo repetido	Baja frec. 424 hz. Alta frec. 1163 hz.	15 ciclos/min.
↑↑↑↓ 12345	BOCINA GRADUAL TM10	Bocina constante-Gradualmente aumentando en volumen	514 hz.	Continuo
↑↑↑↑ 12345	CHILLIDO LENTO TEMPORAL TM11	Chillido lento código NFPA	500-1200 hz.	15 ciclos/min.
↑↑↑↓ 12345	CAMPANILLA WESTMINSTER TM12	Campanilla Westminster	Tonos musicales	1 ciclo, 8 tonos
↑↑↑↑ 12345	EVAC TM 13	Módulo de amplitud de bocina	479 hz.	4,3 ciclos/seg.
↑↑↑↓ 12345	BOCINA DE AIRE TM14	Bocina constante	Tono grave 400 hz. Tono agudo 800 hz.	Continuo
↑↑↑↓ 12345	CAMPANILLA TM15	Campanilla de un sólo golpe	Tono musical	49 ciclos/min.
↑↑↑↓ 12345	AJUSTADOR DE FASE TM16	Sirena rápida	600 hz. – 1200 hz.	15 ciclos/seg.
↑↑↑↑ 12345	ALTERNAR AGUDO-GRAVE TM17	Alternando agudo-grave	Tono grave 363 hz. Tono agudo 518 hz.	60 ciclos/min.
↑↑↑↑ 12345	GORJEO TM 18	Sirena extremadamente rápida	560-1055 hz.	6,3 ciclos/seg.
↑↑↑↑ 12345	ALERTA TM19	Tono de barrido lento	400-1560 hz.	Ascendente
↑↑↑↓ 12345	EURO-POLICÍA TM20	Alternando agudo-grave	Tono agudo 969 hz. Tono grave 800 hz.	30 ciclos/min.
↑↑↑↑ 12345	EURO-BOMBEROS TM21	Tono de barrido	900-800	Continuo
↑↑↑↓ 12345	EURO-CHILLIDO LENTO TM22	Tono de barrido lento	650-1290 hz.	3,5 ciclos/seg.
↑↑↑↑ 12345	EURO-GENERAL TM23	Bocina intermitente	969 hz.	60 ciclos/seg.
↑↑↑↓ 12345	EURO-TOXICO TM24	Bocina constante	969 hz.	Continuo
↑↑↑↑ 12345	EURO-POLICÍA II TM25	Lento alternando agudo-grave	Tono agudo 554 hz. Tono grave 440 hz.	Alternando lento
↑↑↑↓ 12345	EURO-TABLETEO TM26	Pitido intermitente	2840 hz.	252 msg./ciclo
↑↑↑↑ 12345	EURO BARRIDO TM27	Tono de barrido	1163-397 hz.	Descendente
↑↑↑↓ 12345	TIMBRADOR TM28	Tono de timbrado continuo	Tono agudo 560 hz. Tono grave 326 hz.	Alternando rápido
↑↑↑↑ 12345	ZUMBADOR TM29	Tono zumbador	Tono agudo 1318 hz. Tono grave 760 hz.	Alternando continuamente
↑↑↑↓ 12345	ATENCIÓN TM30	Sirena extremadamente rápida	Frecuencia múltiple	1 ciclo, 8 tonos
↑↑↑↑ 12345	MULTI-TONO TM31	Sirena extremadamente rápida	Frecuencia múltiple	1 ciclo, 8 tonos
↑↑↑↓ 12345	PRECAUCIÓN TM32	Sirena extremadamente rápida	Frecuencia múltiple	1 ciclo, 8 tonos

NOTA: TM12 (Campanilla Westminster) no es un tono repetitivo.

Tableau 1. Module de Tonalité Universel

Réglage des commutateurs DIP	Tonalité	Son	Audiofréquence	Taux de répétition
↑↑↑↑ 12345	GÉMISSEMENT TM1	Sirène conventionnelle	560 - 1055 Hz	11 cycles/min
↑↑↑↓ 12345	GLAPISSEMENT TM2	Sirène rapide	560 - 1055 Hz	3,3 cycles/sec
↑↑↑↑ 12345	AIGU - GRAVE TM3	Aigu et grave alternatif	Tonalité grave 561 Hz Tonalité aiguë 760 Hz	50 cycles/min
↑↑↑↓ 12345	CLOCHE TM4	Cloche, frappée rapidement	801 Hz	50 cycles/min
↑↑↑↑ 12345	HURLEMENT TM5	Descendant aigu vers grave - répétitif	Haute fréq. 1295 Hz Basse fréq. 545 Hz	36 cycles/min
↑↑↑↓ 12345	KLAXON TM6	Klaxon continu	470 Hz	Continu
↑↑↑↑ 12345	BIP TM7	Klaxon intermittent lent	435 Hz	50 cycles/min
↑↑↑↓ 12345	SACCADÉ TM8	Klaxon intermittent rapide	470 Hz	5 cycles/sec
↑↑↑↑ 12345	HURLEMENT LENT TM9	Montant lentement, grave - aigu, répétitif	Basse fréq. 424 Hz Haute fréq. 1163 Hz	15 cycles/min
↑↑↑↓ 12345	KLAXON GRADUEL TM10	Klaxon continu-ugmentant graduellement en volume	514 Hz	Continu
↑↑↑↑ 12345	HURLEMENT LENT TEMPOREL TM11	Hurlement lent code NFPA	500 - 1200 Hz	15 cycles/min
↑↑↑↓ 12345	CARILLON WESTMINSTER TM12	Carillon de Westminster	Tonalités musicales	1 cycle 8 notes
↑↑↑↑ 12345	EVAC TM13	Klaxon modulé en amplitude	479 Hz	4,3 cycles/sec
↑↑↑↓ 12345	KLAXON PNEUMATIQUE TM14	Klaxon continu	Tonalité grave 400 Hz Tonalité aiguë 800 Hz	Continu
↑↑↑↑ 12345	CARILLON TM15	Carillon frappé une fois	Tonalité musicale	49 cycles/min
↑↑↑↓ 12345	PHASEUR TM16	Sirène rapide	600 - 1200 Hz	15 cycles/sec
↓↑↑↑ 12345	AIGU - GRAVE ALTERNATIF TM17	Aigu - grave alternatif	Tonalité grave 363 Hz Tonalité aiguë 518 Hz	60 cycles/min
↓↑↑↓ 12345	ULULEMENT TM18	Sirène extrêmement rapide	560 - 1055 Hz	6,3 cycles/sec
↓↑↑↑ 12345	ALERTE TM19	Lente tonalité balayante	400 - 1560 Hz	Montant
↓↑↑↓ 12345	EURO-POLICE TM20	Aigu - grave alternatif	Tonalité aiguë 969 Hz Tonalité grave 800 Hz	30 cycles/min
↓↑↑↑ 12345	EURO-POMPIER TM21	Tonalité balayante	900 - 800	Continu
↓↑↑↓ 12345	EURO-HURLEMENT LENT TM22	Lente tonalité balayante	650 - 1290 Hz	3,5 cycles/sec
↓↑↑↑ 12345	EURO-GÉNÉRAL TM23	Klaxon intermittent	969 Hz	60 cycles/sec
↓↑↑↓ 12345	EURO-TOXIQUE TM24	Klaxon continu	969 Hz	Continu
↓↓↑↑ 12345	EURO-POLICE II TM25	Aigu - grave alternatif, lent	Tonalité aiguë 554 Hz Tonalité grave 440 Hz	Alternatif lent
↓↓↑↓ 12345	EURO-SACCADÉ TM26	Bip intermittent	2840 Hz	252 ms/cycle
↓↓↑↑ 12345	EURO-BALAYAGE TM27	Tonalité balayante	1163 - 397 Hz	Descendant
↓↓↑↓ 12345	SONNERIE TM28	Sonnerie continue	Tonalité aiguë 560 Hz Tonalité grave 326 Hz	Alternatif rapide
↓↓↑↑ 12345	RONFLEMENT TM29	Tonalité ronflante	Tonalité aiguë 1318 Hz Tonalité grave 760 Hz	Continuellement alternatif
↓↓↑↓ 12345	ATTENTION TM30	Sirène extrêmement rapide	Fréquence multiple	1 cycle 8 tonalités
↓↓↑↑ 12345	MULTI - TONS TM31	Sirène extrêmement rapide	Fréquence multiple	1 cycle 8 tonalités
↓↓↑↓ 12345	AVERTISSEUR TM32	Sirène extrêmement rapide	Fréquence multiple	1 cycle 8 tonalités

REMARQUE : TM 12 (carillon de Westminster) n'est pas une tonalité répétitive.

I

290A2810D

English

D. 0.201 Dia. mounting holes (2)

E. 7/8", 22.23mm Dia. knockout (in rear of housing)

Español

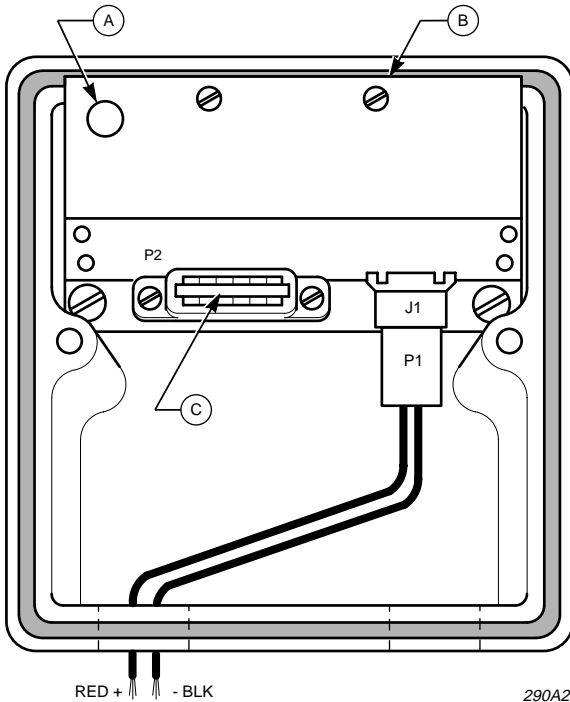
D. Orificios de montaje de 0,201 de diámetro

E. Pieza desmontable de 7/8", 22,23mm de diámetro
(en la parte posterior de la carcasa)**Français**

D. Trous de montage diam. 0,201 (2)

E. Ejection diam. 7/8", 22,23mm (A l'arriere de l'enceinte)

2



290A2126E

English

- A. Volume control
- B. Amplifier board
- C. Install tone or connector card here (P2)

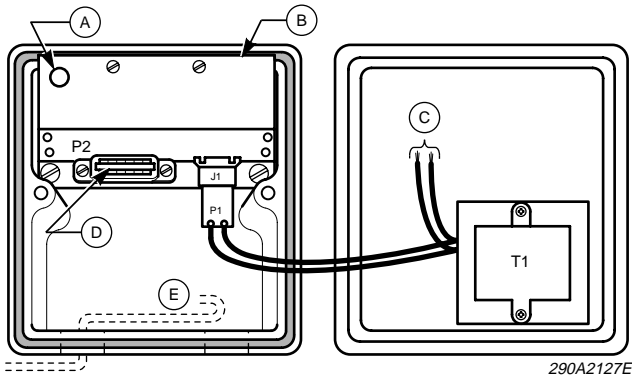
Español

- A. Control del volumen
- B. Tablero del amplificador
- C. Instale la tarjeta de tono o conector aquí (P2)

Français

- A. Commande du volume
- B. Carte d'amplificateur
- C. Nstaller ici la carte de tonalite ou de branchement

3



290A2127E

English

- A. Volume control
- B. Amplifier board
- C. To 120 VAC or 240 VAC source
- D. Install tone or connector card here (P2)
- E. Signal lines to 300CK or 300CKS

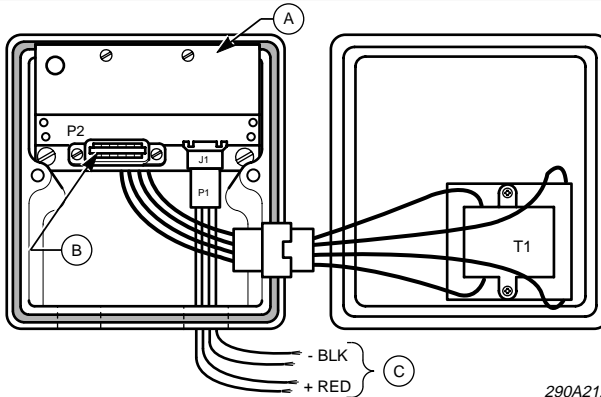
Español

- A. Control del volumen
- B. Tablero del amplificador
- C. A fuente de 120VCA o 240VCA
- D. Instale la tarjeta de tono o conector aquí (P2)
- E. Líneas de señal a 300CK o 300CKS

Français

- A. Commande de volume
- B. Carte d'amplificateur
- C. Vers alimentation en 120V CA ou 240V CA
- D. Installer ici la carte de tonalité ou de branchment (P2)
- E. Lignes de signaux vers 300CK ou 300CKS

4



290A2128C

English

- A. Amplifier board
- B. Install tone module here (P2)
- C. Power source

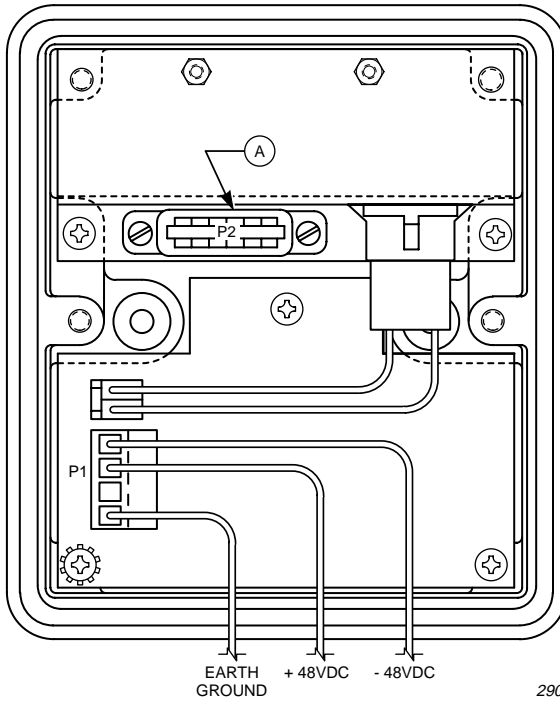
Français

- A. Carte d'amplificateur
- B. Installer ici le module de tonalité
- C. Alimentation

Español

- A. Tablero del amplificador
- B. Instale el módulo de tono aquí
- C. Fuente de alimentación

5



English

- A. Install tone or connector card here (P2)
- B. Earth ground

Español

- A. Instale la tarjeta de tono o conector aquí (P2)
- B. Tierra

Français

- A. Nstaller ici la carte de tonalité ou de branchement (P2)
- B. Terre masse

255A114AF
REV. AF Printed 10/03
Printed in U.S.A.