



UniStat™ Status Indicator

Model USI and USIS

MULTICOLOR L.E.D. TYPE 4X STATUS INDICATOR

- Tri-color or quad-color
- 100,000 hour, vibration-resistant L.E.D. light source
- Available in 24VAC/DC or 120VAC
- Models available with built-in sounder
- Surface mount and integrated 3/4-inch pipe mount
- PLC compatible
- UL and cUL Listed, CSA Pending
- Indoor use only
- Type 4X, IP65 enclosure
- Type 1 with sounder

The UniStat™ is an L.E.D. (light emitting diode) based, multi-color, single-high status indicator.

Using the latest die level L.E.D. technology, this unique status indicator can produce three colors (Amber, Green and Red) or four colors (amber, blue, green and red) from a single light source.

Ideal for OEM applications, the UniStat is compact, attractive, and easy to install. The low profile UniStat produces as much light as its much larger competitors.

The UniStat offers a choice of four integrated flash patterns – steady-burn, slow flash, strobe flash and SimuStrobe™. SimuStrobe simulates the attention-getting flash rate of a strobe light but with a much more color-rich output. The user can choose a total of 12 possible flash/color combinations in the tri-color models and 16 in the quad-color models.

When the application calls for an increased sense of urgency, specify the model USIS with an integrated piezo sounder. Producing 60dB @ 10 feet, the USIS is the ideal attention getter in process control applications.

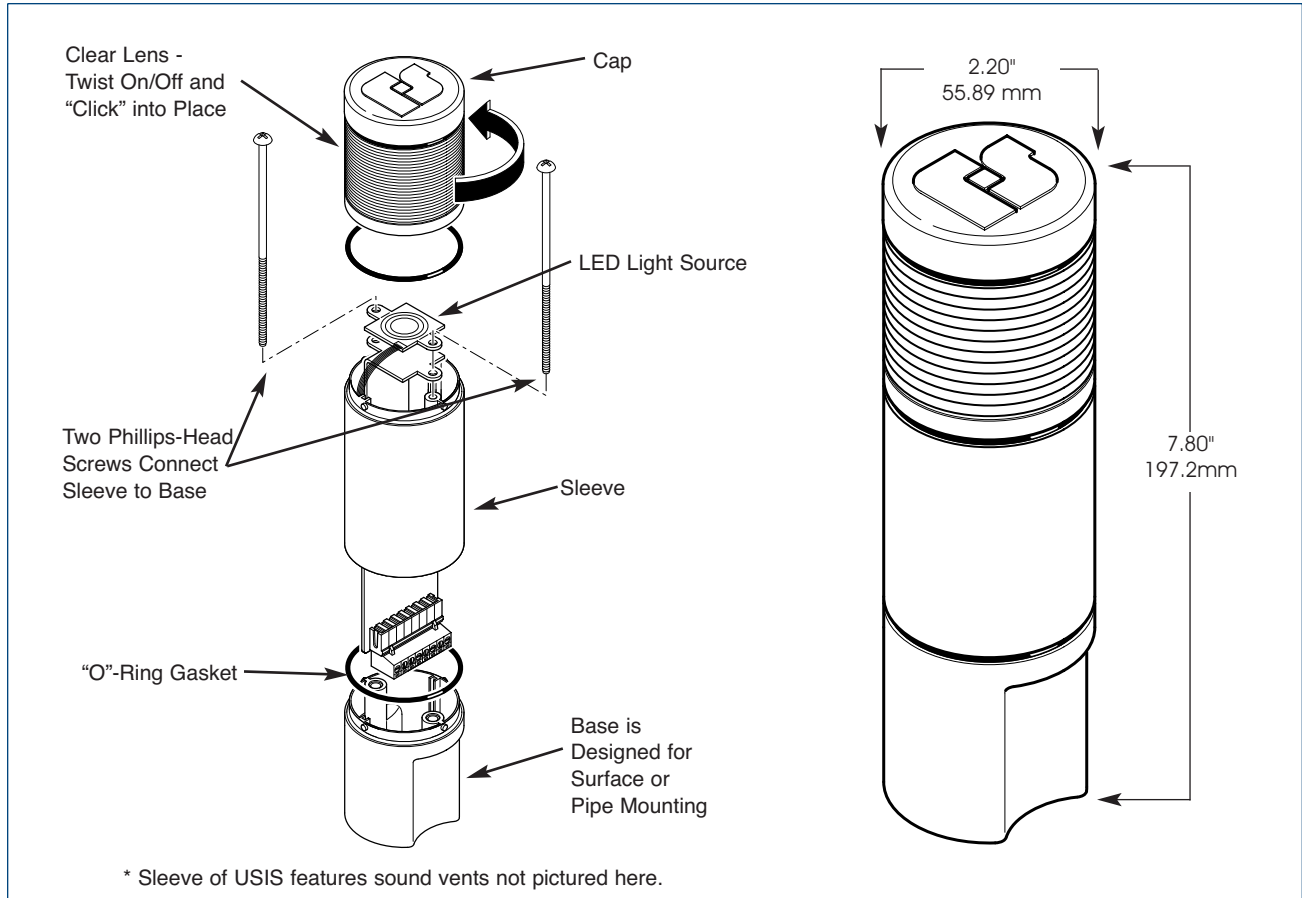
Like the multi-level, multi-color, multi-lamp Microstat™, the UniStat is rated Type 4X (models with sounder are rated Type1). Each model arrives pre-assembled and ready to surface mount or 3/4-inch pipe mount. Options for the UniStat include pipe mount extensions (4", 16", & 32"), a wall mount bracket and a tulip mount base (see page 16).

Model	Description	Voltage	Operating Current	Mount
USI/USIS-024TC	Tri-color	24VAC/DC	0.32 amps	3/4" Pipe or Surface
USI/USIS-120TC	Tri-color	120VAC	0.15 amps	3/4" Pipe or Surface
USI/USIS-024QC	Quad-color	24VAC/DC	0.32 amps	3/4" Pipe or Surface
USI/USIS-120QC	Quad-color	120VAC	0.15 amps	3/4" Pipe or Surface

* Sounder draws 0.1 amp on all models



UNISTAT™ WITH L.E.D. LAMP (USI/USIS)



SPECIFICATIONS

Lamp Life*:	100,000 Hours	100,000 Hours
Light Source:	L.E.D.	L.E.D.
Operating Temperature:	32°F to 104°F	0°C to 49°C
Net Weight:	0.4 lbs.	0.18 kg
Shipping Weight:	0.7 lbs.	0.32 kg
Height:	7.8"	197.2 mm
Diameter:	2.2"	55.9 mm

* Optimal hours under ideal conditions.

HOW TO ORDER

- Specify model number, voltage and tri-color or quad-color
- Specify optional sounder
- Specify options from page 16
- Please refer to Model Number Index USI/USIS beginning on page 371

REPLACEMENT PARTS

<u>Description</u>	<u>Part Number</u>
Lens, Clear	K8447042A-02
O-Ring	K8447054B
LED Array, Tricolor	K2005328A
LED Array, Quad Color	K2005328A-01
PCB, USI 24VDC	K2005347A
PCB, USI 120VAC	K2005347A-02
PCB, USIS 24VDC	K2005347A-01
PCB, USIS 120VAC	K2005347A-03