



# MicroStat® Status Indicator

Model MSL

## COMPACT STATUS INDICATOR IN WATER-TIGHT ENCLOSURE

- Factory assembled
- Small footprint — only 2.2" diameter (55.9 mm)
- Vibration-resistant 5.6W wedge lamp
- Available in 24VAC/DC, 120VAC and 240VAC
- Surface mount and integrated 3/4" pipe mount
- UL and cUL Listed
- Type 4X enclosure
- Indoor Use only
- Optional Sound Module, L.E.D. Lamp, Pipe Mount Base and Flasher
- PLC Compatible

The Federal Signal MicroStat® is a compact, Type 4X status indicator. Ideal for OEM applications, the MicroStat comes pre-assembled as 1-, 2-, 3-, 4-, or 5-high light units. The user selects combinations from five colors; amber, blue, clear, green and red. O-rings between each segment provide a water-tight and dust-tight seal. The MicroStat is available in three voltages (24VAC/DC, 120VAC and 240VAC) and the base of each light can be surface or pipe mounted (3/4-inch NPT).

The lenses lock together and snap apart with a simple twisting motion, allowing for easy lamp changes and quick lens resequencing. A rugged vibration-resistant, thick-filament wedge lamp fills each lens with light, providing excellent optical performance.

Wire connections are made through a 2-piece terminal block. The MicroStat is designed to work with PLC outputs including "Triacs".

An optional 100,000-hour L.E.D. light source is available in the five colors. This lamp, made of surface mounted L.E.D.s, plugs directly into the same socket as the standard lamp.

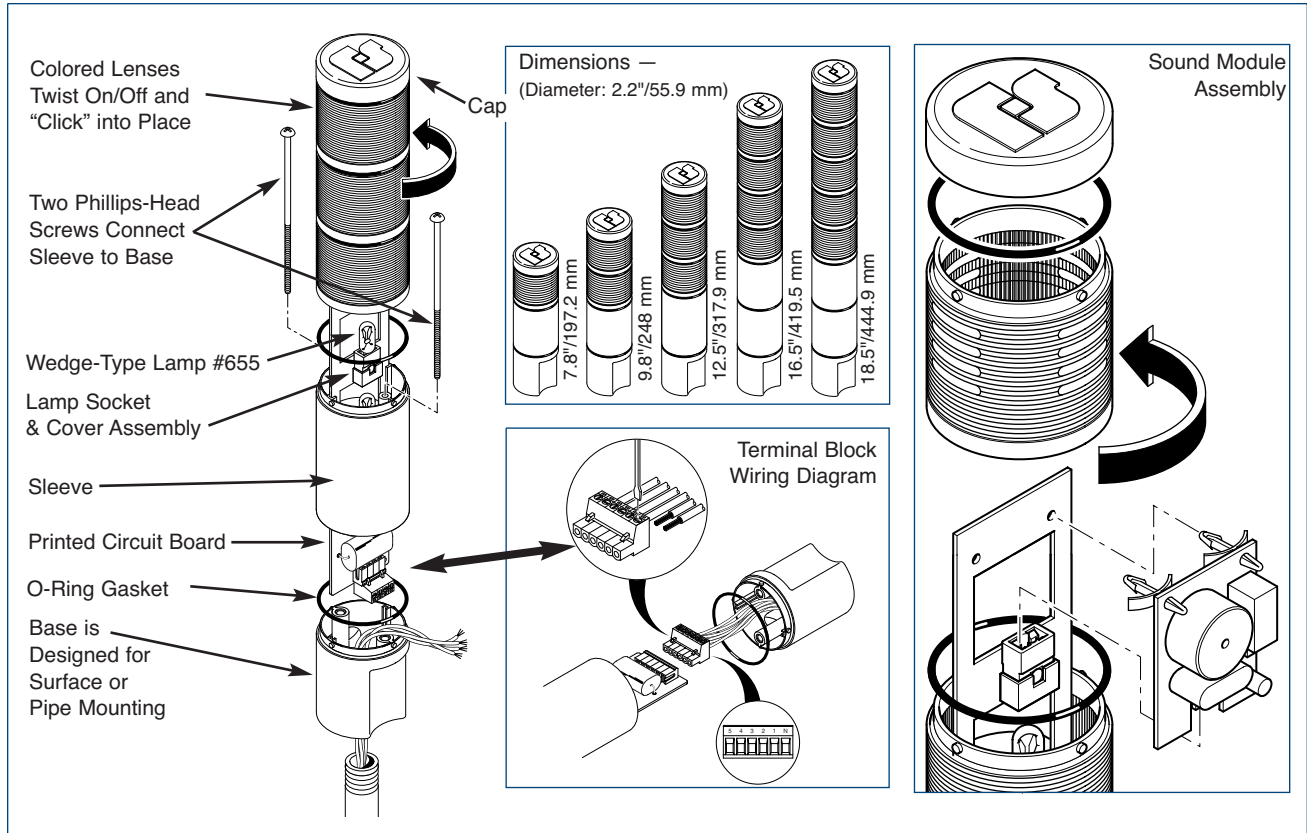
An optional sound module can be installed in the top position of any MicroStat. The Sound Module Kit (MSS) consists of a slotted grille and board-mounted piezoelectric horn. The sounder plugs directly into the wedge socket.

A pipe mount base, pipes and flashers are also available. See page 16 for a complete list of options.

Model	Description	Operating Current	Voltage
MSL1	One status segment	0.2 amps	All MSLs
MSL2	Two status segments	0.4 amps	available in
MSL3	Three status segments	0.6 amps	24VAC/DC,
MSL4	Four status segments	0.8 amps	120VAC &
MSL5	Five status segments	1.0 amps	240VAC



# MICROSTAT® STATUS INDICATOR (MSL)



## SPECIFICATIONS

Lamp Life*:	7,000 Hours	7,000 Hours
Lamp Style:	Wedge-Type Lamp #655	
Operating Temperature:	-32°F to 120°F	-36°C to 49°C
Net Weight:	1-high 0.4 lbs.	0.18 kg
	2-high 0.55 lbs.	0.25 kg
	3-high 0.65 lbs.	0.29 kg
	4-high 0.85 lbs.	0.39 kg
	5-high 1.0 lbs.	0.45 kg
Ship. Weight:	1-high 0.7 lbs.	0.32 kg
	2-high 0.85 lbs.	0.39 kg
	3-high 1.3 lbs.	0.59 kg
	4-high 1.5 lbs.	0.68 kg
	5-high 1.65 lbs.	0.75 kg

\* Optimal hours under ideal conditions.

## HOW TO ORDER

- Determine number of status segments required; one for each light segment and one for a sounder
- Specify Model MSL1, MSL2, MSL3, MSL4, MSL5.
- Specify colors for MSL1 and MSL2 (MSL3, MSL4 and MSL5 are packaged with one each of the colored lenses)
- Specify voltage
- Specify options (see page 16)
- Please refer to Model Number Index MSL beginning on page 370

## REPLACEMENT PARTS

<u>Description</u>	<u>Part Number</u>	<u>Description</u>	<u>Part Number</u>
Lens, Amber	K8447042A	Terminal Block (3 position)	K140373A-03
Lens, Clear	K8447042A-02	Terminal Block (4 position)	K140373A-04
Lens, Red	K8447042A-04	Terminal Block (6 position)	K140373A-06
Lens, Blue	K8447042A-01	Light Barrier	K8447061A
Lens, Green	K8447042A-03	Cap	K8447044A
Wedge Lamp (#655), .28V	K8107185A	O-Ring	K8447054B