

# Streamline® Low Profile Light

## Model LP2



### PERFECT SIZE MEETS SUPERIOR PERFORMANCE!

- Surface or panel mount
- Steady burning
- Five dome colors
- Type 4X enclosure
- Low profile — only 2.5" H x 3" diameter (65mm x 76mm)
- Built-in strain relief
- Incandescent lamp included
- Available in 24VAC/VDC and 120VAC
- UL and cUL Listed, CE Compliant

The Streamline® Model LP2 is a unique, steady burning incandescent light, ideal for both horizontal and vertical panel mount installation. This device mounts easily through any 1.54" (39mm) diameter hole; a lock nut secures the light firmly in place. A gasket positioned above the mounting surface assures a water-tight and dust-tight fit. The lamp is easily replaced from below the mounting surface. Inherent strain relief secures all wiring from the rear, for added durability. The enclosure consists of a polycarbonate dome in five colors (amber, blue, clear, green and red), and a polyamide base; the enclosure with gasket is rated Type 4X.

A 6-watt incandescent lamp is included with the 24VAC/DC and 120VAC units. The double-contact bayonet base (Type S-6) is a standard lamp style, readily available when replacement is required. Lamp life is approximately 1,500 hours when run on AC power.

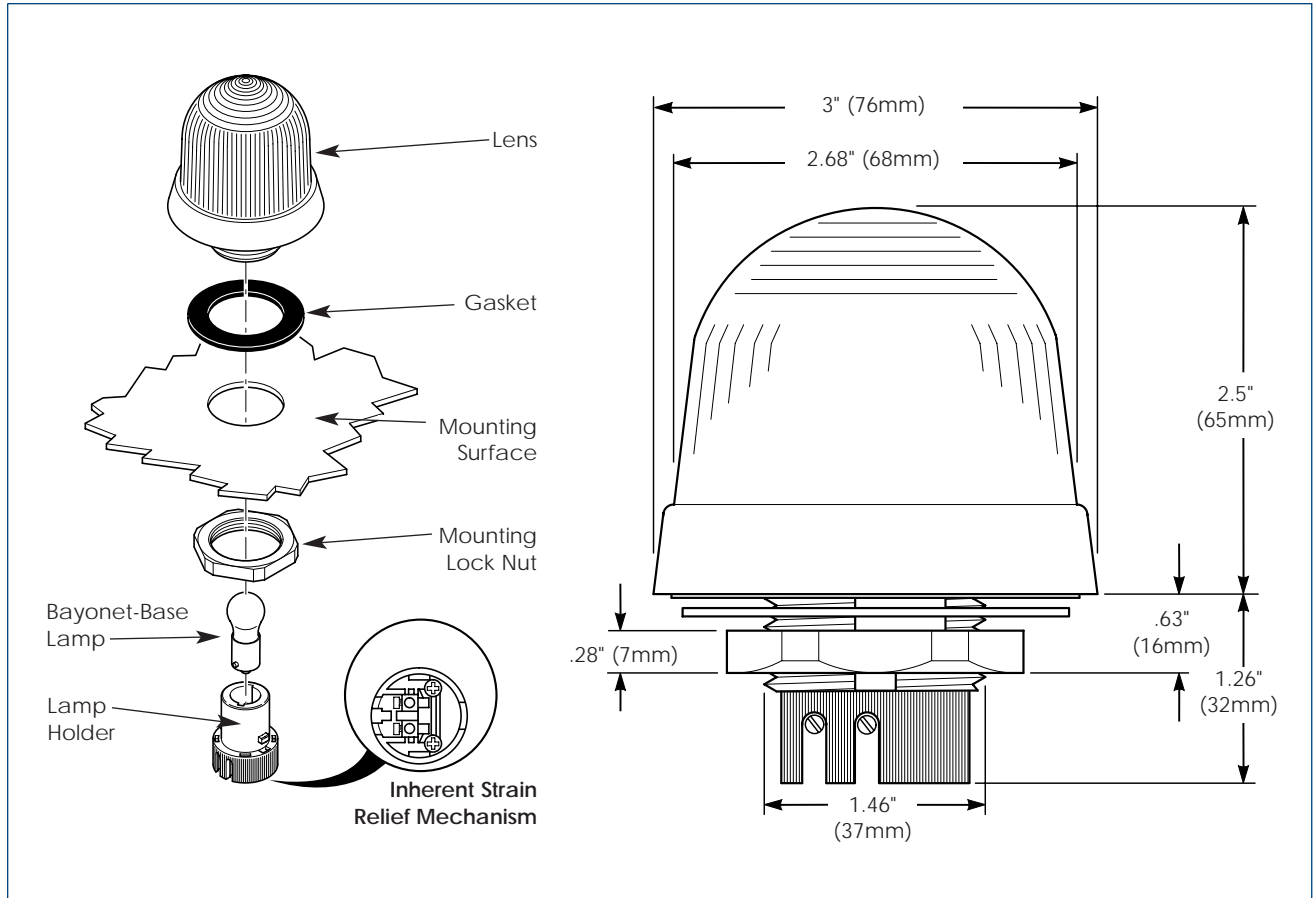
Like all Federal Signal products, the StreamLine LP2 is designed with customer applications in mind. The LP2 functions in most PLC applications (including triac outputs). Careful consideration has been given to the relationship between lamp shape and lens design for maximum light output.

When your application calls for a compact signal with unparalleled reliability, Federal Signal's Streamline products are the clear choice.

Model	Voltage	Power	Operating Current
LP2	24VAC/DC	6 watts	0.30 amps
LP2	120VAC	6 watts	0.06 amps



## STREAMLINE® LOW PROFILE LIGHT (LP2)



### SPECIFICATIONS

Lamp Life:*	1,500 hours	1,500 hours
Lamp Style:	Incandescent	Incandescent
Operating Temperature	-4°F to 140°F	-20°C to 60°C
Net Weight:	3.4 oz.	96.4 g
Shipping Weight:	4.5 oz.	127.6 g
Diameter:	3"	75 mm
Height — above surface:	2.5"	65 mm
Height — below surface:	1.26"	32 mm

\* Optimal hours under ideal conditions.

### REPLACEMENT PARTS

<u>Description</u>	<u>Part Number</u>
Lamp, 24VAC/DC	K8107195A
Lamp, 120VAC	K8107195A-01

### HOW TO ORDER

- Specify model, voltage and color
- Please refer to Model Number Index LP2 beginning on page 371