



Electro-Mechanical Siren

Model ECLIPSE8

POWERFUL OMNI-DIRECTIONAL OUTDOOR WARNING SIREN

- 115 dBC output
- Omni-directional for 360° coverage
- Three distinct warning signals
- Full battery operation or battery back-up option
- High efficiency design produces 115 dBC at 100 ft while making moderate power demands
- Optional roof mount stand
- 100% aluminum design

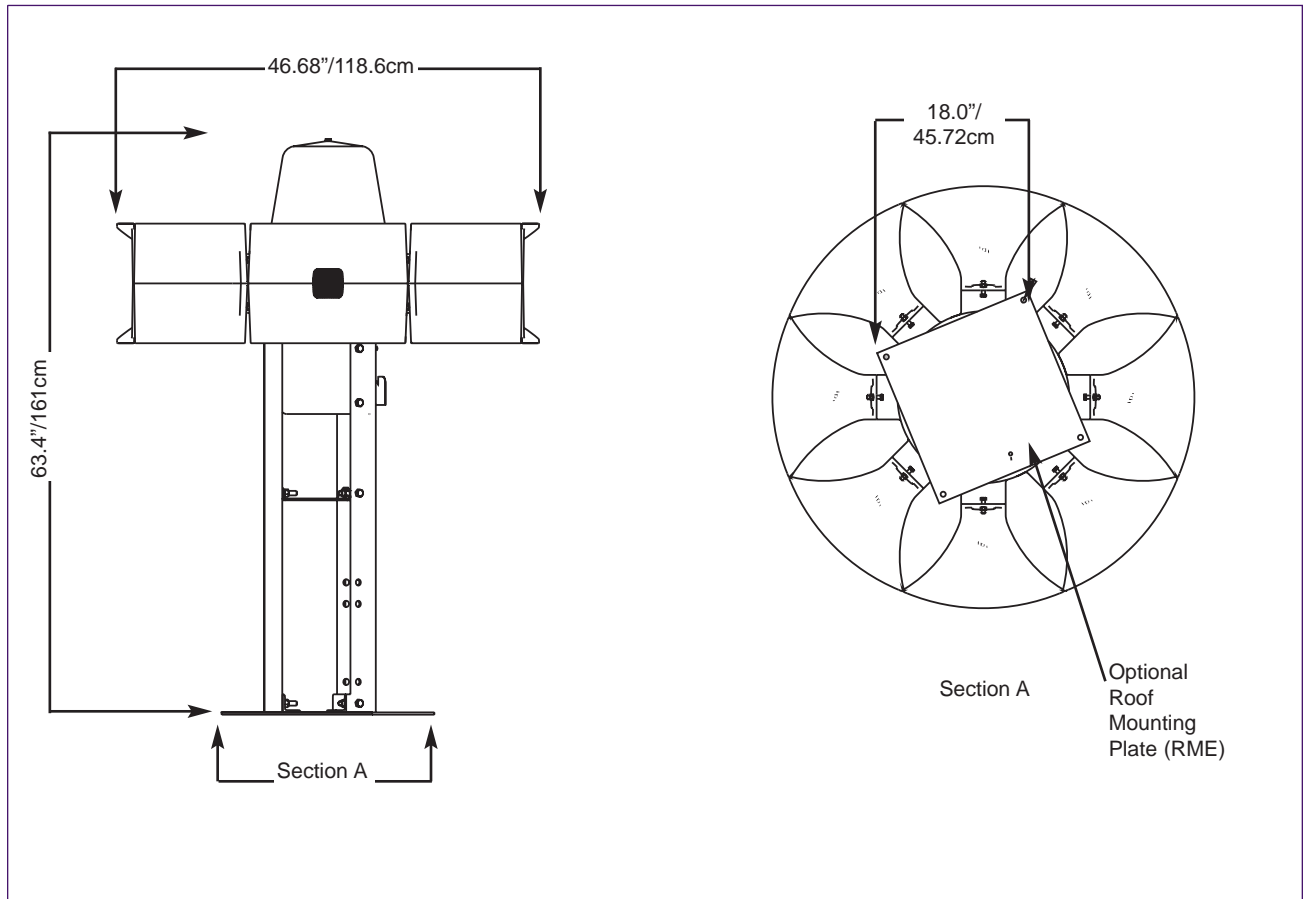
The Eclipse8 is a mid-sized DC-powered omni-directional siren for outdoor warning that produces high intensity warning signals. This powerful and lightweight outdoor siren provides coverage with a maximum sound pressure level of 115 dBC at 100 feet. The high decibel output provides maximum coverage with with minimum installation costs. Operating from 46VDC, the siren utilizes the DC motor of our 2001 siren series for proven reliability.

The siren's eight projector horns covers a 360° omni-directional area, with the capability of producing three signal options: steady, wail and fast wail. The Eclipse8 will supply a minimum of 15 minutes of siren operation from its batteries even after 24 hours without AC power. The siren controls are available with battery operation, AC operation and AC operation with battery back-up. One-way and Two-way radio control or landline options are available.

Model	Voltage	Operating Current	Output Frequency	Beam Width	Mount	Decibel Rating
Eclipse 8	46VDC	112 Amps (Norm)	525Hz	360°	Roof or Steel pole	115dBC @ 100'



BATTERY POWERED SIREN (ECLIPSE8)



SPECIFICATIONS

Operating Temperature	-22°F to 140°F	-30°C to 60°C
Effective Range @ 70dBC	2400'	
Net Weight:	225 lbs.	116 kg
Shipping Weight:	380 lbs.	173 kg
Height:	63.40"	161 cm
Width:	46.68"	118.6 cm

HOW TO ORDER

- Specify model (Eclipse8)
- Specify mounting option (RME)
- *Call the factory for assistance in specifying an outdoor warning system*