



# Red Aviation Obstruction Light

Model 810SE

## FAA APPROVED LIGHTING

- Single lamp
- 120VAC
- 116 watt lamp
- 8,000 hour lamp life
- FAA L-810 Certified, ETL tested
- 1-inch pipe mount
- Optional photoelectric cell

Federal Signal Obstruction Lights are designed to mark tall structures that present hazards to air navigation. When installed in accordance with FAA AC 70/7460-1, these lights increase the conspicuity of obstructions for pilots flying at night.

Federal Signal Model 810SE is a steady burning obstruction light (FAA Ref. L-810). The 810SE features a die-cast aluminum housing with a wiring enclosure and mounts on 1" NPT pipe. For ease of installation and maintenance the housing is equipped with captive cover screws, a stainless steel tether secures the glass dome and a stainless steel band provides tool-free access to the lamp.

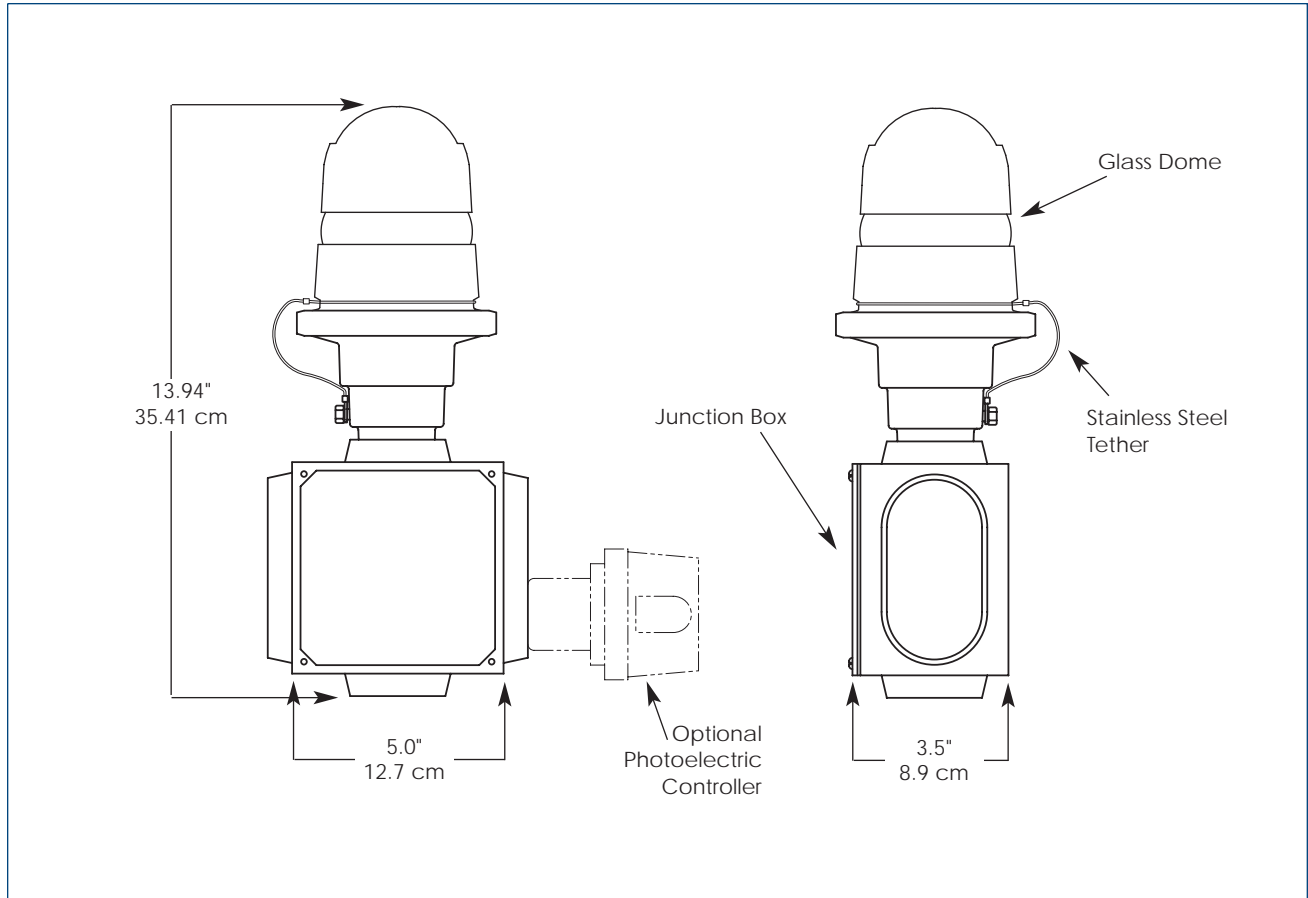
An optional photoelectric controller provides automatic light activation at dusk per FAA specifications. All Federal Signal Obstruction Lights are shipped factory-assembled with lamps and options.

The 116-Watt lamp is rated for 8000 hours of continuous use. Photoelectric Cells are rated at over 5000 on/off operations for years of reliability.

Typical applications include water towers, cellular phone towers, antennas, smoke stacks, skyscrapers and airport perimeter fencing. For the number and placement of lights, the required duration of operation, and recommendations for specific types of structures, refer to FAA Advisory Circular No. 70/7460-1K.



## RED AVIATION OBSTRUCTION LIGHT (810SE)



### SPECIFICATIONS

Lamp Life:*	8,000 hours	8,000 hours
Lamp Style:	Incandescent	Incandescent
Operating Temperature	-35°F to 150°F	-37°C to 40°C
Net Weight:	10 lbs.	4.54 kg
Shipping Weight:	11 lbs.	4.99 kg
Height:	13.94"	35.41 cm
Width:	5.0"	12.7 cm
Depth:	3.5"	8.9 cm

\* Optimal hours under ideal conditions.

### HOW TO ORDER

- Specify model, voltage and color
- Please refer to Model Number Index 810SE beginning on page 377

### REPLACEMENT PARTS

<u>Description</u>	<u>Part Number</u>
Lens, Red with Tether	K8449121A
Lamp, 116W	K8107234A