



Red Aviation Obstruction Light

Model 810S

FAA APPROVED LIGHTING

- Single lamp
- 120VAC
- 116 watt lamp
- 8,000 hour lamp life
- FAA L-810 Certified, ETL tested
- 1-inch pipe mount

Federal Signal Obstruction Lights are designed to mark tall structures that present hazards to air navigation. When installed in accordance with FAA AC 70/7460-1, these lights increase the conspicuity of obstructions for pilots flying at night.

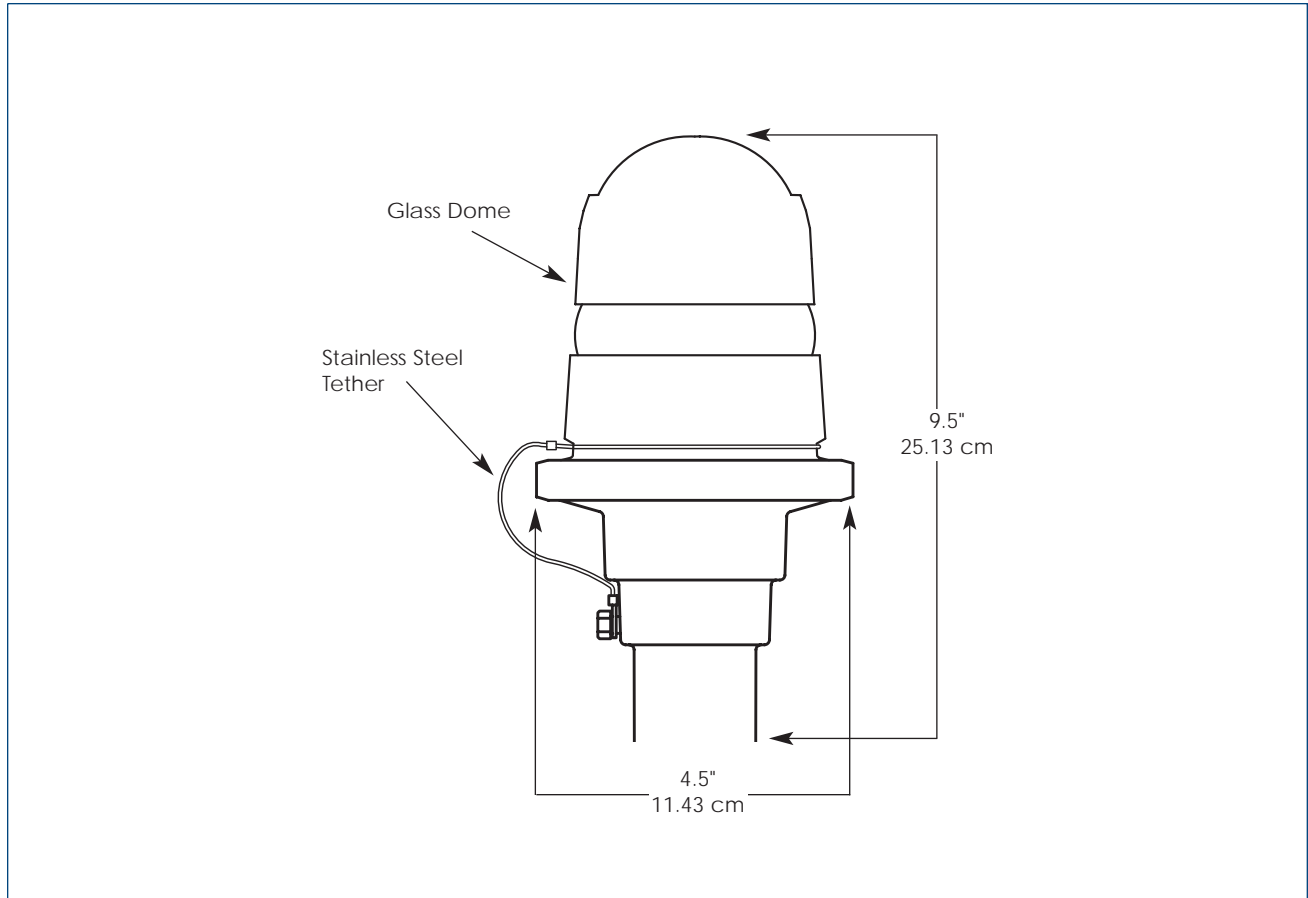
Federal Signal Model 810S is a steady burning obstruction light (FAA Ref. L-810). The 810S mounts on 1" NPT pipe. For ease of installation and maintenance the fixture is equipped with a stainless steel tether securing the glass dome and a stainless steel band providing tool-free access to the lamp.

The 116-Watt lamp is rated for 8000 hours of continuous use. All Federal Signal Obstruction Lights are shipped factory-assembled with lamps.

Typical applications include water towers, cellular phone towers, antennas, smoke stacks, skyscrapers and airport perimeter fencing. For the number and placement of lights, the required duration of operation, and recommendations for specific types of structures, refer to FAA Advisory Circular No. 70/7460-1K.



RED AVIATION OBSTRUCTION LIGHT (810S)



SPECIFICATIONS

Lamp Life:*	8,000 hours	8,000 hours
Lamp Style:	Incandescent	Incandescent
Operating Temperature	-35°F to 150°F	-37°C to 40°C
Net Weight:	4 lbs.	1.81 kg
Shipping Weight:	5 lbs.	2.27 kg
Diameter:	4.5"	11.43 cm
Height:	9.5"	24.13 cm

* Optimal hours under ideal conditions.

HOW TO ORDER

- Specify model
- Please refer to Model Number Index 810S beginning on page 377

REPLACEMENT PARTS

<u>Description</u>	<u>Part Number</u>
Lens, Red with Tether	K8449121A
Lamp, 116W	K8107234A