



# SelecTone® Audible Signaling Device

Model 302GC

## EXTRA OUTPUT POWER FOR PLANT EVACUATION

- Available in 24VAC/DC, 120VAC and 240VAC
- Built-in gain control
- Produces 0dB to 114dB @ 10' (100dB to 124dB @ 1m)
- UL 1480 and cUL Listed for indoor/outdoor use, CSFM Approved
- Type 3R, IP54 enclosure
- Digital signal amplification
- Fused input and output

Federal Signal's Model 302GC SelecTone Speaker Amplifier is designed to produce crisp, clear tones, digital voice messages and live public address in harsh environments with high ambient noise levels.

The rugged speaker cone and projector are constructed of spun aluminum. The internal circuitry, tone module, and gain control are contained in a housing constructed of die-cast aluminum. All surfaces are sealed with powder-coat paint. Dust- and moisture-proof gaskets provide protection from the elements.

The 302GC is UL Listed for indoor and outdoor use. It has been designed, tested and approved for use in Type 3R applications.

Internal gain control allows output adjustment from 0dB to a maximum of 114dB at 10 feet.

SelecTone Speaker Amplifiers are used individually or as part of a plant-wide emergency notification system. The Model UTM Universal Tone Module, with 32 tones, or the TM33 Custom Tone Module is plugged into a single SelecTone Speaker Amplifier for stand-alone use or into a SelecTone Command Unit for plant-wide signaling.

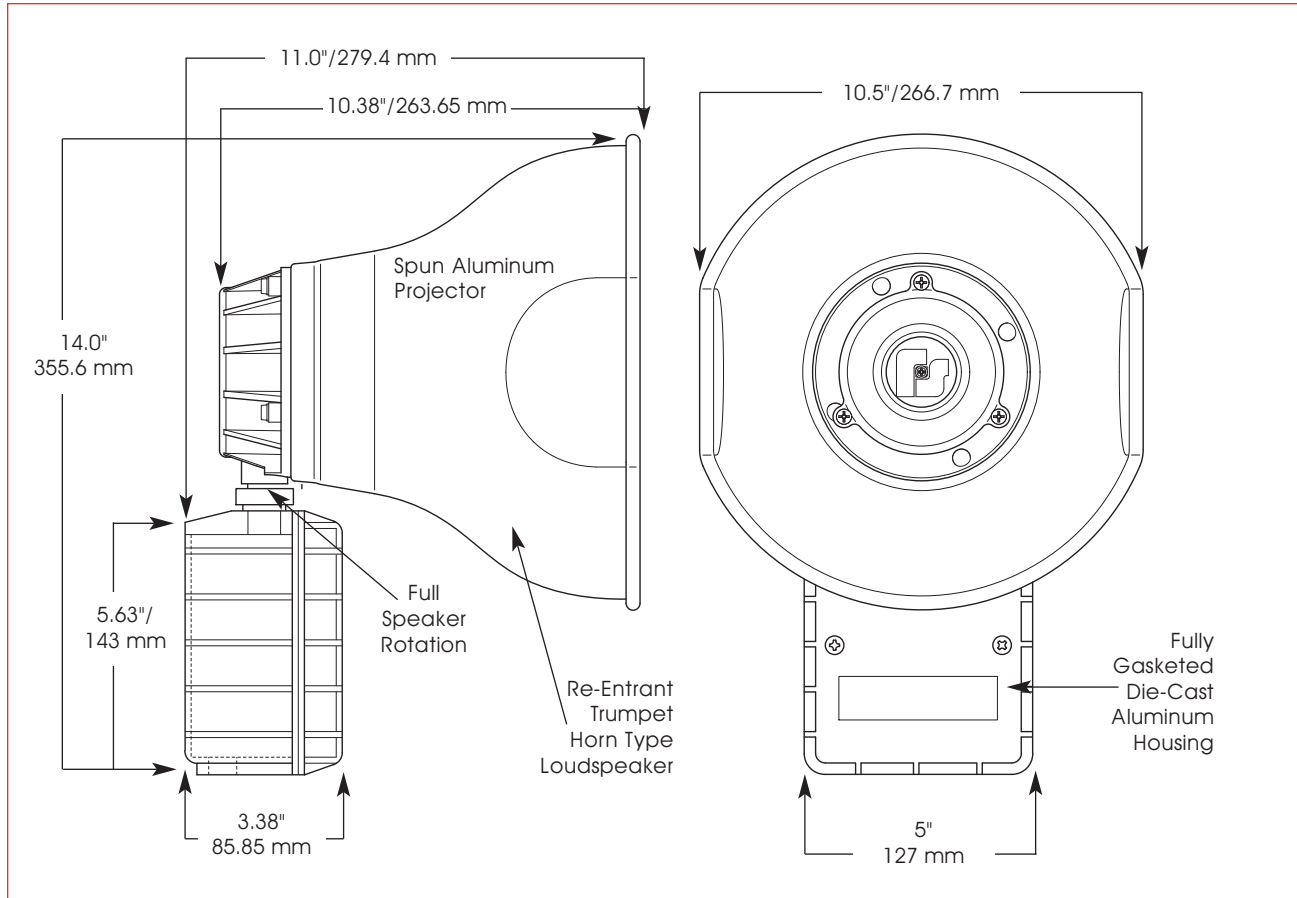
For plant-wide signaling, a Connector Kit is installed into each SelecTone Speaker Amplifier and wired to a central controller. SelecTone Command Units and CommCenter Digital Message Centers broadcast tones, voice messages, melodies and live public address to an unlimited number of SelecTone Speaker Amplifiers.

Typical applications for SelecTone include emergency warning, plant evacuation, start and dismissal, public address, and process control signaling.

Model	Voltage	Operating Current	Sys. Standby Current	Decibels @ 10'	Decibels @ 1m
302GC	24VDC	1.10 amps	0.03 amps	114	124
302GC	24VAC 50/60Hz	2.50 amps	0.09 amps	114	124
302GC	120VAC 50/60Hz	0.50 amps	0.13 amps	114	124
302GC	240VAC 50/60Hz	0.20 amps	0.07 amps	114	124



## SELECTONE® AUDIBLE SIGNALING DEVICE (302GC)



### SPECIFICATIONS

Operating Temperature:	-67°F to 150°F	-55°C to 66°C
Net Weight:		
24VAC/VDC	6.1 lbs.	2.8 kg
120/240VAC	7.5 lbs.	3.4 kg
Shipping Weight:		
24VAC/VDC	7.5 lbs.	3.4 kg
120/240VAC	8.9 lbs.	4.0 kg
Height:	14.0"	356 mm
Width:	10.5"	266.7 mm
Depth:	11.0"	279 mm

### REPLACEMENT PARTS

<u>Description</u>	<u>Part Number</u>
Amplifier Assembly, 120/240	K2005356A-02
Speaker Assembly	K8593103A
Transformer, 120VAC	K120846A
Transformer, 240VAC	K120856A
Voice Coil, Seres C	K8590246A
Amplifier Assembly, 24VDC	K2005356A-03

### HOW TO ORDER

- Specify model number and voltage
- Specify Tone Module for stand alone operation
  - Universal Tone Module (UTM)
  - Custom Tone Module (TM33)
- Specify Connector Kit for use in systems (Call Factory for system design assistance)
  - Connector Kit (300CK)
  - Supervised Connector Kit (300CKS)
  - 25Vrms Connector Kit (AM25CK)
  - 70Vrms Connector Kit (AM70CK)
- Please refer to Model Number Index 302GC beginning on page 379