



# CommCenter® Single Message Hazardous Location

## Model 300SMX

### PROVIDES A SINGLE CUSTOM MESSAGE

- High-quality, non-volatile playback
- Available in 24VDC or 120/240VAC
- Messages can be up to 16 seconds in length
- Type 4X enclosure
- UL and cUL Listed

The Federal Signal Single Message CommCenter® Model 300SMX provides a single 16-second digital message. Melodies, voice messages, tones and signals are available, including the pre-recorded CommCenter Standard Message Library or custom recorded messages. The Federal Signal Model 300MCDK (page 204) can be used to record custom messages in the field.

The 300SMB CommCenter is ideally suited for price-sensitive OEM applications. The 300SMX is housed in a Type 4X enclosure and is UL and cUL Listed for Class I, Division 2, Groups B, C, and D; Class II, Division 2, Groups F and G; and Class III.

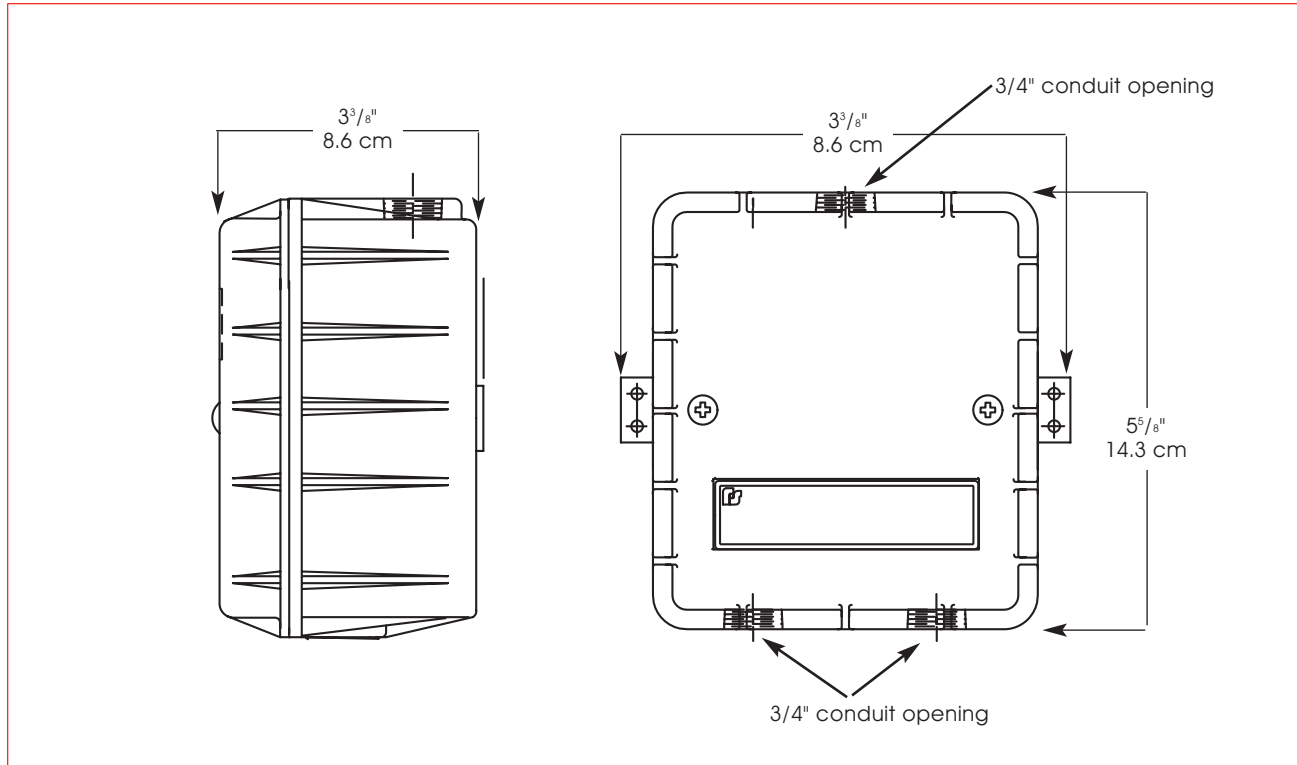
The 300SMX Single Message CommCenter is preset for initiation from a normally open (N.O.) momentary contact. A jumper setting on the PC board allows the initiation input to be changed to a normally closed contact. Another jumper switches the unit from a momentary contact to a latched contact. A momentary contact plays the message through for as long as the contact is held, finishing the final message. A latching contact plays the message as long as the contact is held, stopping mid-message if the contact is removed.

The 300SMX has both a 10Vrms (unbalanced) output and a 25Vrms (balanced) output. The 10Vrms output is useful when utilizing existing SelecTone® speaker amplifiers and connector kits. The 15-watt, 25Vrms output can drive 15 watts of transformer coupled speakers or AM25CK connector kits used with SelecTone speaker/amplifiers. When used with AudioMaster® transformer-coupled speakers, or the AM25CK, the 25Vrms output creates a balanced line and helps provide noise-free audio output. Volume adjustment controls the sound level.

A single 300SMX is capable of driving two 8-ohm speakers.



## SINGLE MESSAGE COMMCENTER® (300SMX)



### SPECIFICATIONS

Tone Output Levels Max. Load:

Unbalanced Signal Line

10Vrms (25 ohm max)

Balanced Signal Line

25Vrms (40 ohm max/15 watts)

Voltage Requirements:

24VAC/VDC

120VAC/240VAC

Current Draw:

Operating

1416mA @ 24VAC

804mA @ 24VDC

248mA @ 120VAC

42mA @ 240VAC

Operating Temperature

-31°F to 161°F

-35°C to 72°C

Net Weight:

2.55 lbs.

1.16 kg

Shipping Weight:

2.8 lbs.

1.27 kg

Height:

5.63"

14.3 cm

Width:

4.94"

12.6 cm

Depth:

3.38"

8.6 cm

### REPLACEMENT PARTS

#### Description

#### Part Number

PC Board Assembly, 24VDC

K2001300C-01

PC Board Assembly, 120/240VAC

K2001300C

### HOW TO ORDER

- Specify model number
- Specify message
- Choose message source(s):
  - a. Select from Standard Library (page 159)
  - b. Provide script to be recorded in studio (additional charge incurred)
  - c. Provide cassette tape
  - d. Field record message using the Federal Signal model 300MCDK recorder/playback unit
- Please refer to Model Number Index 300SMX beginning on page 379