



# CommCenter® Digital Message Center

## Model 300MB

### USE WITH SELECTONE® AND PUBLIC ADDRESS SYSTEMS

- High-quality, non-volatile playback
- Stores six voice messages, melodies, tones and signals
- Multivoltage design accepts 24VDC, 120VAC or 240VAC
- Messages can be up to 16 seconds in length (96 second total capacity)
- Expandable and prioritized
- UL Listed, CSA Certified
- Type 1 enclosure

The Federal Signal CommCenter® Model 300MB broadcasts pre-recorded voice messages, melodies, tones and signals over SelecTone® and public address systems. The 300MB replaces outdated loop tape units with superior, high-quality audio playback. The 300MB is remotely activated via contact closures.

The CommCenter's housing holds the solid state digital control circuitry and up to six non-volatile, 16-second chips.

Melodies, voice messages, tones and signals are available, including the pre-recorded CommCenter Standard Library and optional custom recorded messages. Units can be interconnected for greater message capacity.

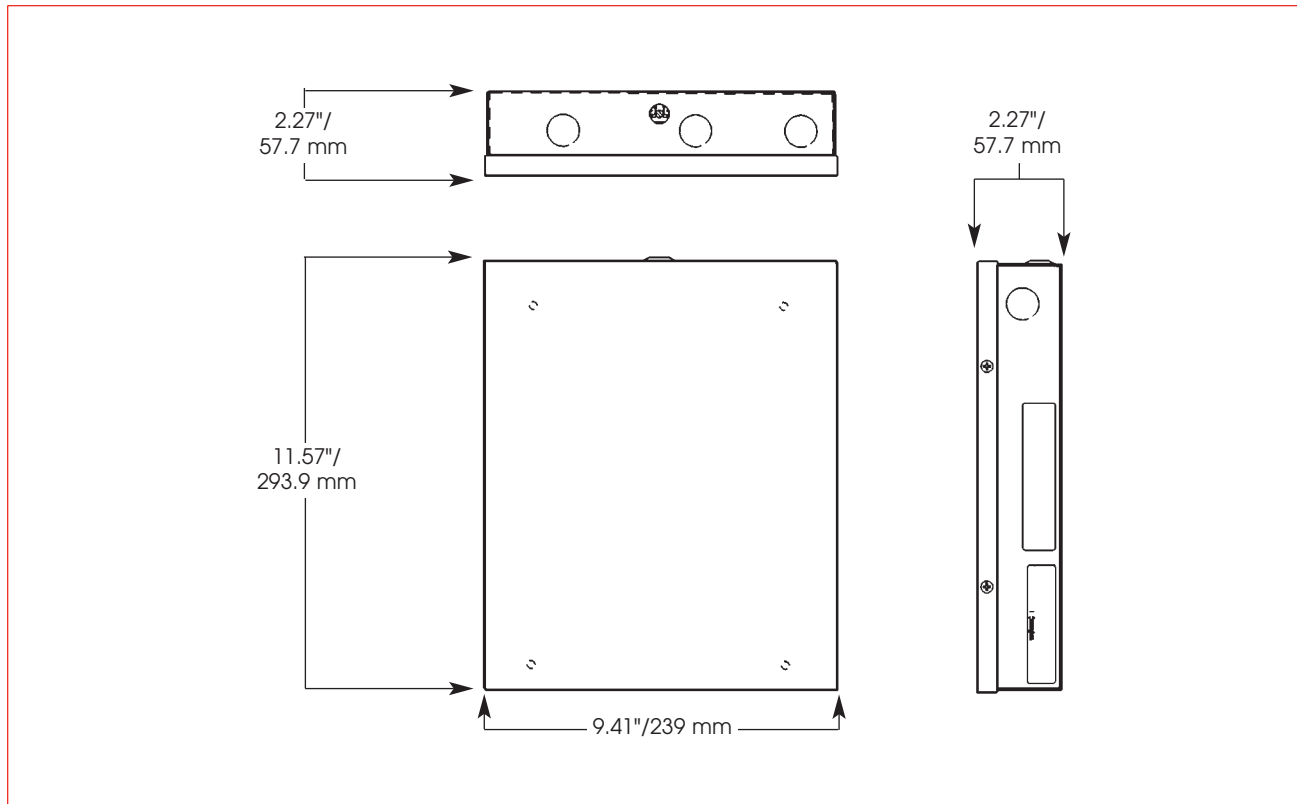
CommCenter's digital messaging capability is ideal for emergency evacuation announcements. Clear, concise, pre-determined instructions can be broadcast over a SelecTone or public address system. The CommCenter's pre-recorded melodies can convey the status of a process or machine without interrupting the flow of production in surrounding areas. Voice messages in any language can alert operators to emergency situations.

The CommCenter offers quality and versatility to public address systems that broadcast repetitive, prerecorded messages.

Model	Voltage	Operating Current	Sys. Standby Current
300MB	24VDC	0.80 amps	0.09 amps
300MB	120VAC 50/60Hz	0.20 amps	0.05 amps
300MB	240VAC 50/60Hz	0.10 amps	0.02 amps



## COMMCENTER® DIGITAL MESSAGE CENTER (300MB)



### SPECIFICATIONS

Tone Output Levels Max. Load:		
Unbalanced Signal Line		10Vrms (25 ohm max)
Balanced Signal Line		25Vrms (40 ohm max/15 watts)
Audio Input:		
Input Impedance		5K OHMS
Input Voltage		1V P-P (max)
Signal to Noise Ratio (<1.5% THD):		(chip input) 67dB
Signal Frequency Response:		250Hz to 3.4KHz
Net Weight:	5.5 lbs.	2.5 kg
Shipping Weight:	6.6 lbs.	3.0 kg
Height:	11.57"	293.9 mm
Width:	9.41"	239 mm
Depth:	2.27"	57.7 mm

### REPLACEMENT PARTS

<i><b>Description</b></i>	<i><b>Part Number</b></i>
PC Board Assembly — Main	K200D1148E
Terminal Block, 17 Position	K140A332A-17
Terminal Block, 10 Position	K140A332A-10
Fuse 250V, 1 amp	K148A155A-01
Fuse 250V, 1/2 amp	K148A155A

### HOW TO ORDER

- Specify model number
- Specify number of messages (up to six)
- Choose message source(s):
  - a. Select from Standard Library (page 159)
  - b. Provide script to be recorded in studio (additional charge incurred)
  - c. Provide cassette tape
  - d. Field record message using the Federal Signal model 300MCDK recorder/playback unit
- Specify the priority of the messages
- Please refer to Model Number Index 300MB beginning on page 379