



# SelecTone® Hazardous Location Audible Signaling Device

## Model 300GCX

### DESIGNED FOR USE IN HAZARDOUS LOCATIONS

- Reliable, solid-state circuitry
- Available in 24VAC/DC, 120VAC and 240VAC
- Digital signal amplification
- Built-in gain control
- Fused input and output
- Produces 0dB to 110dB @ 10' (0dB to 120dB @ 1m)
- UL 1480 and cUL Listed, Certified for indoor/outdoor use, CSFM Approved
- Type 4X enclosure
- External mounting tabs

Federal Signal's Model 300GCX SelecTone Speaker Amplifier is designed to produce tones, digital voice messages and live public address in harsh environments with high ambient noise levels.

The rugged speaker cone and projector are constructed of spun aluminum. The amplification circuitry, tone module, and gain control are contained in a housing constructed of die-cast aluminum. All surfaces are sealed with powder-coat paint. Dust- and moisture-proof gaskets provide protection from the elements.

The 300GCX is UL Listed for Class I, Division 2, Groups A, B, C and D; Class II, Division 2, Groups F & G, and Class III. It has been tested and approved for use in Type 4X applications.

Internal gain control allows output adjustment from 0dB to a maximum of 110dB at 10 feet.

SelecTone Speaker Amplifiers are used individually or as part of a plant-wide emergency notification system. The Model UTM Universal Tone Module, with 32 tones, or the TM33 Custom Tone Module is plugged into a single SelecTone Speaker Amplifier for stand-alone use or into a SelecTone Command Unit for plant-wide signaling.

For plant-wide signaling, a Connector Kit is installed into each SelecTone Speaker Amplifier and wired to a central controller, SelecTone Command Unit or CommCenter Digital Message Center. Command Units and CommCenters broadcast tones, voice messages, melodies and live public address to an unlimited number of SelecTone Speaker Amplifiers.

Applications for SelecTone include emergency warning, evacuation, start/dismissal, public address, and process control signaling.

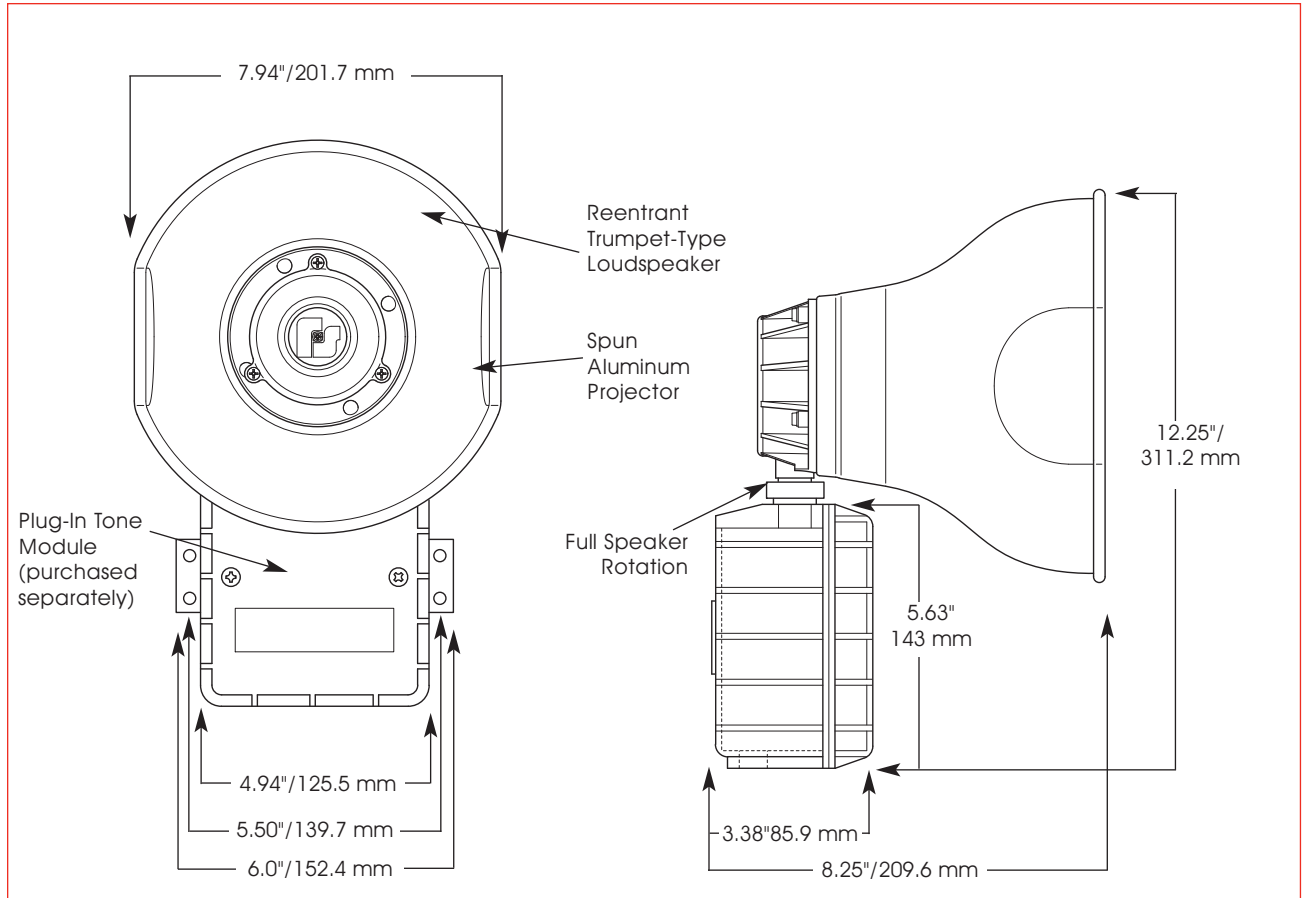
Model	Voltage	Operating <sup>1</sup> Current	Sys. Standby Current	Decibels @		T-Code <sup>2</sup>
				10'	1m	
300GCX	24VDC	0.55 amps	0.06 amps	110	120	T6
300GCX	24VAC 50/60Hz	1.25 amps	0.13 amps	110	120	T6
300GCX	120VAC 50/60Hz	0.27 amps	0.03 amps	110	120	T6
300GCX	240VAC 50/60Hz	0.14 amps	0.02 amps	110	120	T6

1. Operating current per UL measured maximum

2. T-Code in Class 1 Division 2 A,B,C,D



## HAZARDOUS LOCATION AUDIBLE SIGNALING DEVICE (300GCX)



### SPECIFICATIONS

Operating Temperature:	-67°F to 150°F	-55°C to 66°C
Net Weight:		
24VDC	4.9 lbs.	2.20 kg
120/240VAC	5.9 lbs.	2.70 kg
Shipping Weight:		
24VDC	6.1 lbs.	2.8 kg
120/240VAC	7.1 lbs.	3.2 kg
Height:	12.25"	311 mm
Width:	7.94"	201.7 mm
Depth:	8.25"	210 mm

### REPLACEMENT PARTS

<b>Description</b>	<b>Part Number</b>
Amplifier Assembly, 120/240	K2005356A-04
Voice Coil, Series C	K8593035A
Transformer, 120VAC	K120857A
Transformer, 240VAC	K120858A
Speaker Assembly	K8593082A
Amplifier Assembly, 120/240	K2005356A-05

### HOW TO ORDER

- Specify model number and voltage
- Specify Tone Module for stand alone operation  
     Universal Tone Module (UTM)  
     Custom Tone Module (TM33)
- Specify Connector Kit for use in systems (Call factory for system design assistance)  
     Connector Kit (300CK)  
     Supervised Connector Kit (300CKS)  
     25Vrms Connector Kit (AM25CK)  
     70Vrms Connector Kit (AM70CK)
- Please refer to Model Number Index 300GCX beginning on page 379