



Explosion-Proof LED Warning Light w/XLT™

Model 27XL

DESIGNED FOR USE IN EXPLOSION-PROOF ATMOSPHERES

- With XLT™ Technology
- Available in 24VDC, 120VAC and 240VAC
- Available in flashing or steady-burn mode
- Four lens colors
- 60,000 hour LED
- ¾-inch pendant mount standard; other options available
- Dome guard optional
- UL and cUL Listed
- Type 4X, IP66 enclosure
- Marine Rated

Federal Signal's Model 27XL explosion-proof LED light with XLT produces 60 high-intensity flashes per minute. This warning light operates on 24VDC, 120VAC, and 240VAC 50/60Hz and is UL Listed for Class I, Division 1, Groups C & D; Class II, Division 1, Groups E, F & G; Class I, Division 2, Groups A, B; and Class III. The 27XL is also Marine Rated.

Extreme Light Technology (XLT) is a breakthrough high-intensity LED array designed to meet the demands of industrial customers, producing maximum light output and superior lens fill. Configurable to either steady burning state or flashing mode XLT provides improved performance over standard LED's and increased versatility while maintaining low power consumption and vibration resistances expected from LED signals.

The 27XL features a standard low in-rush circuitry design that provides greater compatibility with factory automation control systems and less electrical interference with in-rush sensitive devices.

The 27XL is Type 4X rated; constructed to IP66. Corrosion resistance is achieved with a powder epoxy finish applied over the copper-free aluminum housing. All exposed hardware is 316 grade stainless steel.

Federal Signal's Model 27XL has an effective candlepower (ECP) of up to 134. A pendant mount is supplied and a ceiling mount and 90° wall mount are available options. For easy installation, the mounting box is first installed and the fixture is then threaded onto the mounting box, making the electrical connection. Electrical continuity is made when five threads are engaged.

Federal Signal's Model 27XL is specifically designed for explosion-proof atmospheres and/or corrosive environments. Because it is easy to install and requires very low maintenance, it is ideal for use in areas such as oil rigs, mines, refineries, and chemical plants.

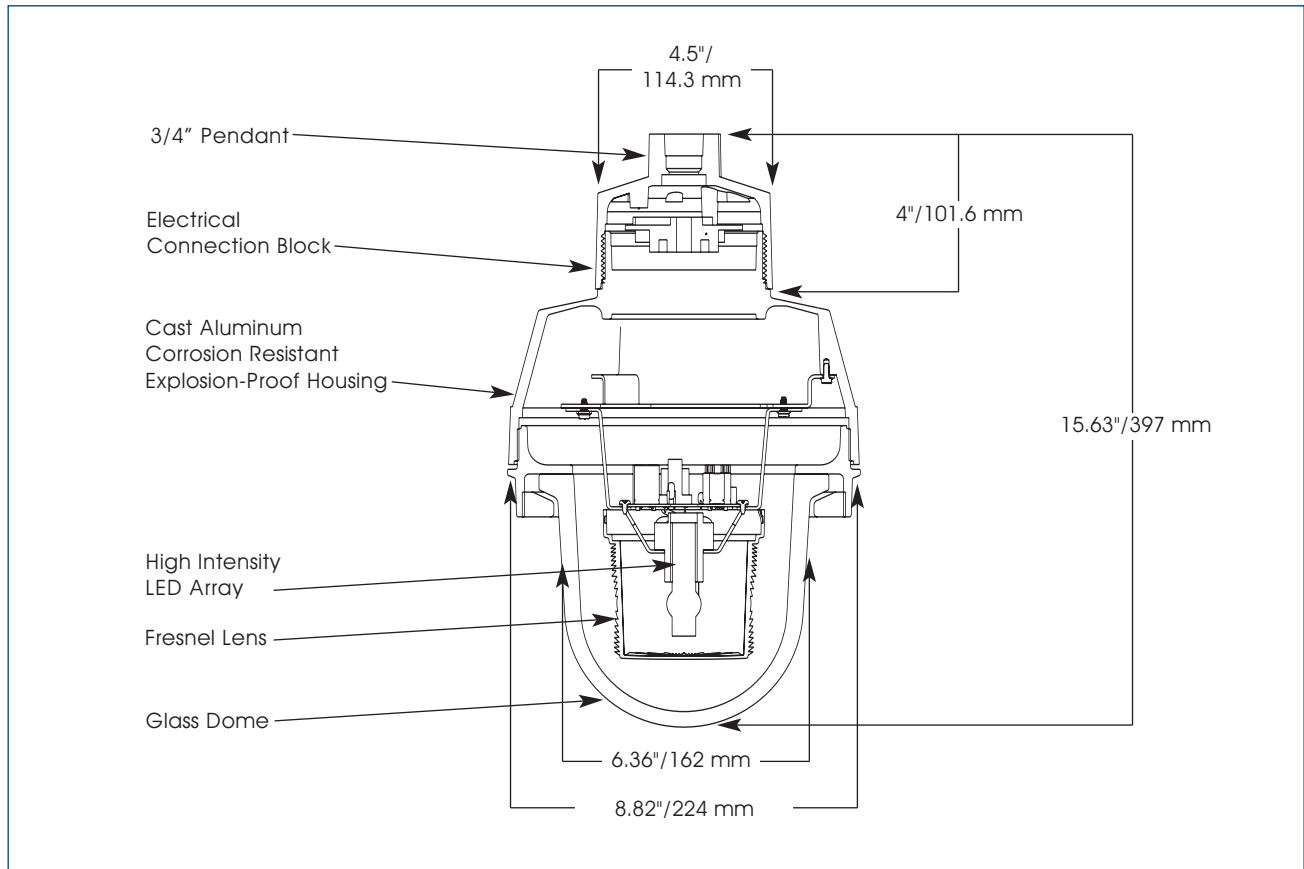
| Model | Voltage | Operating Current | Flash Rate/Minute | Candlepower Peak ¹ | ECP ² | Mount |
|-------|---------|-------------------|-------------------|-------------------------------|------------------|------------|
| 27XL | 24VDC | 380mA | 60 | 211 | 134 | ¾" Pendant |
| 27XL | 120VAC | 210mA | 60 | 211 | 134 | ¾" Pendant |
| 27XL | 240VAC | 130mA | 60 | 211 | 134 | ¾" Pendant |

¹ Peak candlepower is the maximum light intensity generated by a flashing light during its light pulse through amber lens

² ECP (Effective Candlepower) is the intensity that would appear to an observer if the light were burning steadily through amber lens



EXPLOSION-PROOF LED LIGHT (27XL)



SPECIFICATIONS

| | | |
|----------------------|-------------------------------|---------------|
| Lamp Life*: | 60,000 hours | 60,000 hours |
| Lamp Style: | LED | LED |
| Ambient Temp. Range: | -55°C to 70°C -25° to 65°C | Canada USA |
| Net Weight: | 14.1 lbs. | 6.45 kg |
| Shipping Weight: | 18.4 lbs. | 8.35 kg |
| Height: | 15.63" | 397.0 mm |
| Diameter: | 8.82" | 224.0 mm |

* Optimal hours under ideal conditions.

REPLACEMENT PARTS

| <u>Description</u> | <u>Part Number</u> | <u>Description</u> | <u>Part Number</u> |
|-------------------------------|--------------------|-------------------------------|--------------------|
| Exterior Dome Assembly, Clear | K8444C271A-01 | PC board assembly, 24VDC | K2005455A |
| Interior Lens Assembly, Amber | K8550C095A-02 | PC board assembly, 120/240VAC | K2005416A |
| Interior Lens Assembly, Blue | K8550C095A-01 | LED array, Amber | K147169A |
| Interior Lens Assembly, Green | K8550C095A-04 | LED array, Blue | K147169A-01 |
| Interior Lens Assembly, Red | K8550C095A-03 | LED array, Green | K147169A-02 |
| | | LED array, Red | K147169A-03 |

HOW TO ORDER

- Specify model, voltage and color
- Specify options:
Dome Guard (DGXC)
Ceiling Mount (CMXC)
Wall Mount (WMXC)