

Electraray® Rotating Warning Light

Model 225



ECONOMICAL LIGHT DUTY WARNING LIGHT

- Available in 120VAC
- Five dome colors
- Integrated 1/2-inch pipe mount
- UL and cUL Listed for indoor/outdoor use, CSA Pending
- Type 4X, IP66 enclosure

The Federal Signal Electraray® Model 225 is a compact, economical rotating warning light designed for industrial uses. This innovative dome design features a single retaining screw that allows quick and easy access for inspection and relamping.

The Federal Signal Electraray has a closed cell neoprene gasket that makes it water resistant. The injection molded reflector rotates around an incandescent lamp and produces 90 flashes per minute. It is available in five dome colors (amber, blue, clear, green and red) and is UL Listed for Type 4X. Constructed to IP66 specifications, the Electraray 225 is ready to mount on a 1/2-inch pipe. Optional mounting brackets are available, simplifying installation on walls and in corners.

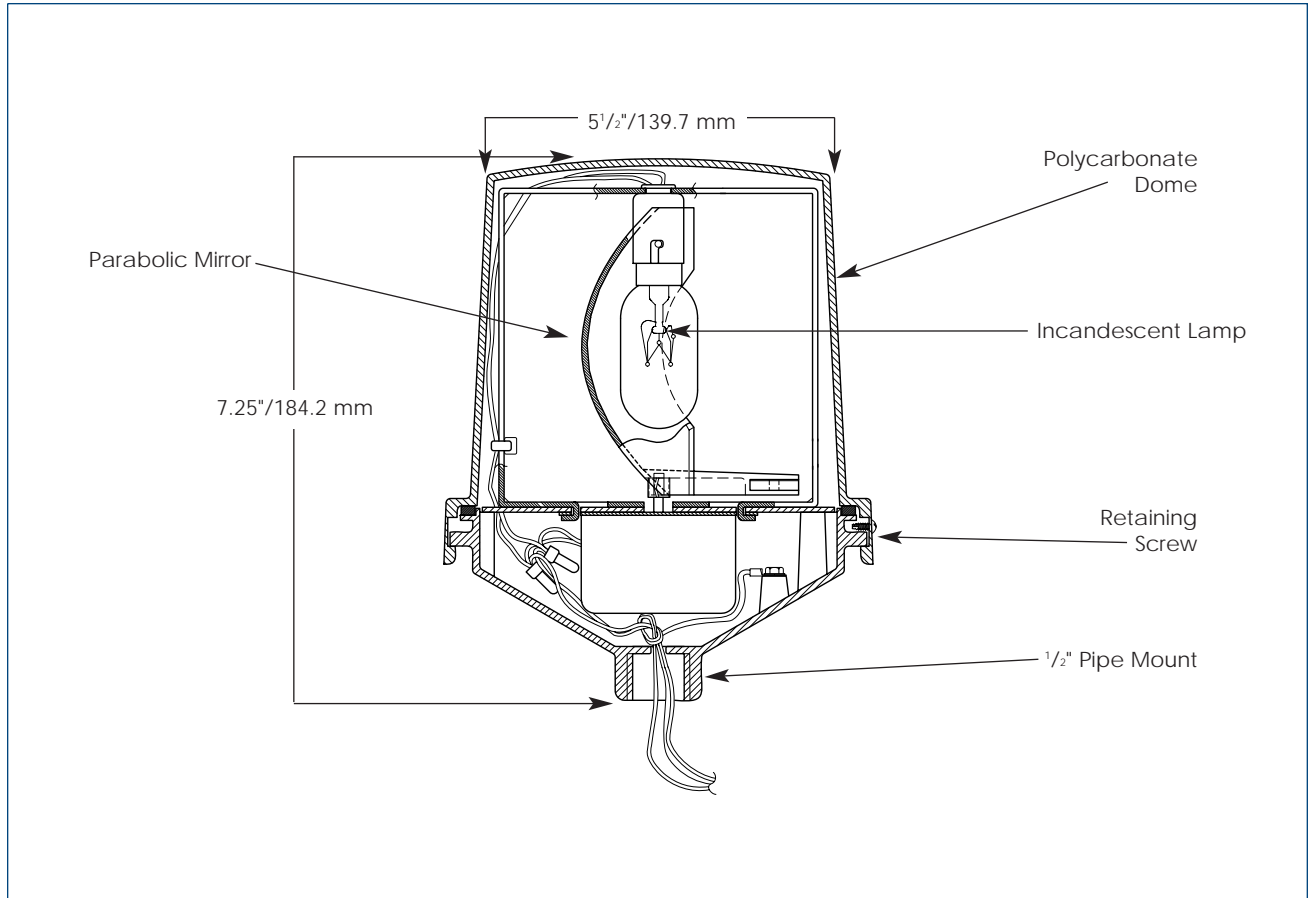
The Electraray 225 is one of the most economical rotating signaling lights in the Federal Signal product line. Its design makes it easily adaptable for a multitude of indoor and outdoor applications. It is designed for permanent mounting where a 120VAC, 50/60Hz line is available. This light provides an effective, economical means of supplementing audible signaling devices.

Federal Signal's Electraray rotating light is an inexpensive warning light for calling attention to emergency situations or process status changes.

Model	Voltage	Operating Current	Flash Rate/Minute	Candlepower	Mount
225	120VAC 50/60HZ	0.22 amps	90	1,000	1/2" Pipe



ELECTRARAY® (225)



SPECIFICATIONS

Lamp Style:	Incandescent	Incandescent
Operating Temperature:	-31°F to 150°F	-35°C to 66°C
Net Weight:	2 lbs.	0.9 kg
Shipping Weight:	2.7 lbs.	1.2 kg
Height:	7.25"	184 mm
Diameter:	5.5"	140 mm

HOW TO ORDER

- Specify model, voltage and color
- Specify options:
 Corner Bracket (LCMB2)*
 Wall Bracket (LWMB2)*
- Please refer to Model Number Index 225 beginning on page 371

*Mounting brackets not rated for Type 4X

REPLACEMENT PARTS

<i>Description</i>	<i>Part Number</i>
Dome, Amber	K8444D219C-03
Dome, Blue	K8444D219C-01
Dome, Clear	K8444D219C-04
Dome, Green	K8444D219C-02
Dome, Red	K8444D219C
Lamp	K149123A
Motor, 120VAC	K8241A030-02