

# Hazardous Location Steady-Burning Light

Model 191X



## DESIGNED FOR USE IN HAZARDOUS LOCATIONS

- 24 to 250 VAC/VDC
- Six tempered glass dome colors
- Uses standard A-19 incandescent lamp (40W-100W)
- 3/4-inch pipe mount
- Dome Guard included
- UL and cUL Listed, CSA Certified for indoor/outdoor use
- Type 4X, IP66 enclosure

Federal Signal's Model 191X hazardous location steady burning light is rated for operation with any voltage from 24 - 250 VAC or VDC. The user determines the voltage based on the lamp used. The fixture will accommodate lamps up to a 100 watt/A-19 (user supplied).

The Model 191X is UL Listed and CSA Certified for Class I, Division 2, Groups A, B, C and D; Class II, Division 1 and 2, Groups E and F.

The 191X has been certified by UL and CSA as meeting Type 4X water-tight and corrosion-resistant requirements; constructed to meet IP66. This hazardous location steady burning light has an aluminum base ready for mounting on a 3/4-inch pipe. The base features electrostatically applied (e-coated) epoxy paint for corrosion-resistance. A dome guard fits over the glass dome to protect it against accidental collision with moving equipment, such as forklifts.

To determine the proper lamp wattage and wire insulation rating for a specific application, refer to the Operating Temperature Chart below. Model 191X is available in six dome colors – amber, blue, clear, green, red and magenta.

Federal Signal's Model 191X steady burning light is designed for hazardous locations where a visual signal is needed. This fixture can be used for status indication or area lighting on offshore oil rigs, in mines, and in refineries.

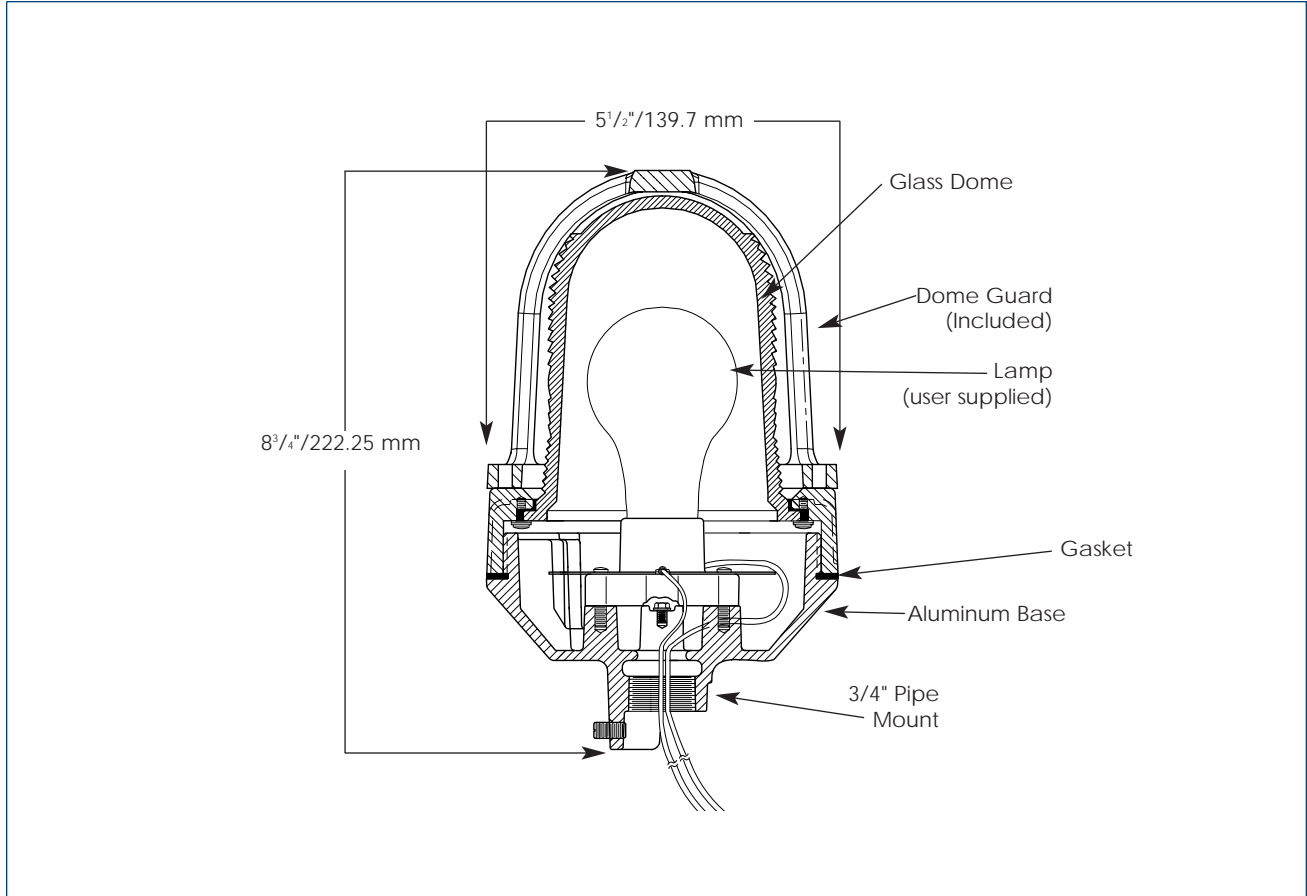
## OPERATING TEMPERATURE CODES

Hazardous Environment	Max. Temperature*/ UL Temp. Code	Dome Color	Lamp Wattage	Supply Wire Insulation Rating
Class I, Division 2	350°C/T1	Blue	100 (A-19)	125°C
	325°C/T1	Red, Green, Amber	100 (A-19)	125°C
	260°C/T2B	Clear	100(A-19)	125°C
	215°C/T2D	All	40(A-19)	85°C
Class II, Division 1	200°C/T3	All	40(A-19)	85°C
Class II, Division 2	200°C/T3	All	40(A-19)	85°C

\* at 40°C ambient



## HAZARDOUS LOCATION LIGHT (191X)



### SPECIFICATIONS

Lamp Style:	Incandescent A-19s (40W-100W)	
Operating Voltage:	24-250VAC/VDC	24-250VAC/VDC
Mount:	3/4" Pipe	3/4" Pipe
Net Weight:	3.3 lbs.	1.5 kg
Shipping Weight:	4.2 lbs.	1.9 kg
Height:	8.75"	222.25 mm
Diameter:	5.5"	139.7 mm

### HOW TO ORDER

- Specify model, voltage and color
- Please refer to Model Number Index 191X beginning on page 372

### REPLACEMENT PARTS

<u>Description</u>	<u>Part Number</u>	<u>Description</u>	<u>Part Number</u>
<u>Series C Dome and Ring Assembly*</u>			
Glass Dome & Ring Assembly, Amber	K8449078C-01	Glass Dome & Ring Assembly, Magenta	K8449078C-05
Glass Dome & Ring Assembly, Blue	K8449078C-02	Glass Dome & Ring Assembly, Red	K8449078C
Glass Dome & Ring Assembly, Clear	K8449078C-04	Gasket	K8449080B
Glass Dome & Ring Assembly, Green	K8449078C-03	Guard	K8449090B

\* Call the factory for Series A part numbers.