



Starfire® Strobe/Incandescent Combination Light

Model 131C

OUR BRIGHTEST MEDIUM DUTY STROBE... PLUS A STEADY-BURN INCANDESCENT!

- Available in 24VDC and 120VAC
- Five dome colors
- Both a 10,000 hour strobe tube and a 7,000 hour incandescent
- 1/2-inch pipe mount
- Type 3R enclosure
- Surface mount kit optional

Federal Signal introduces a new hybrid signal designed specifically for safety showers and emergency call stations.

Inside the 131C are two light sources — a 7,000 hour incandescent lamp and a 10,000 hour strobe tube. When power is present, the incandescent lamp burns steady to draw attention to the location of the emergency station and to indicate that the station is receiving power. When an emergency activation occurs, the strobe begins to flash, calling attention and indicating a status change.

The 131C measures less than nine inches high and six inches in diameter, yet is highly visible; the emergency signal flashes with an effective candlepower of 1000.

The fresnel dome is designed to stand up to impact and abuse and is available in amber, blue, clear, green and red. The base of the light is made of corrosion-resistant anodized aluminum. The 131C comes with a standard 1/2-inch pipe mount.

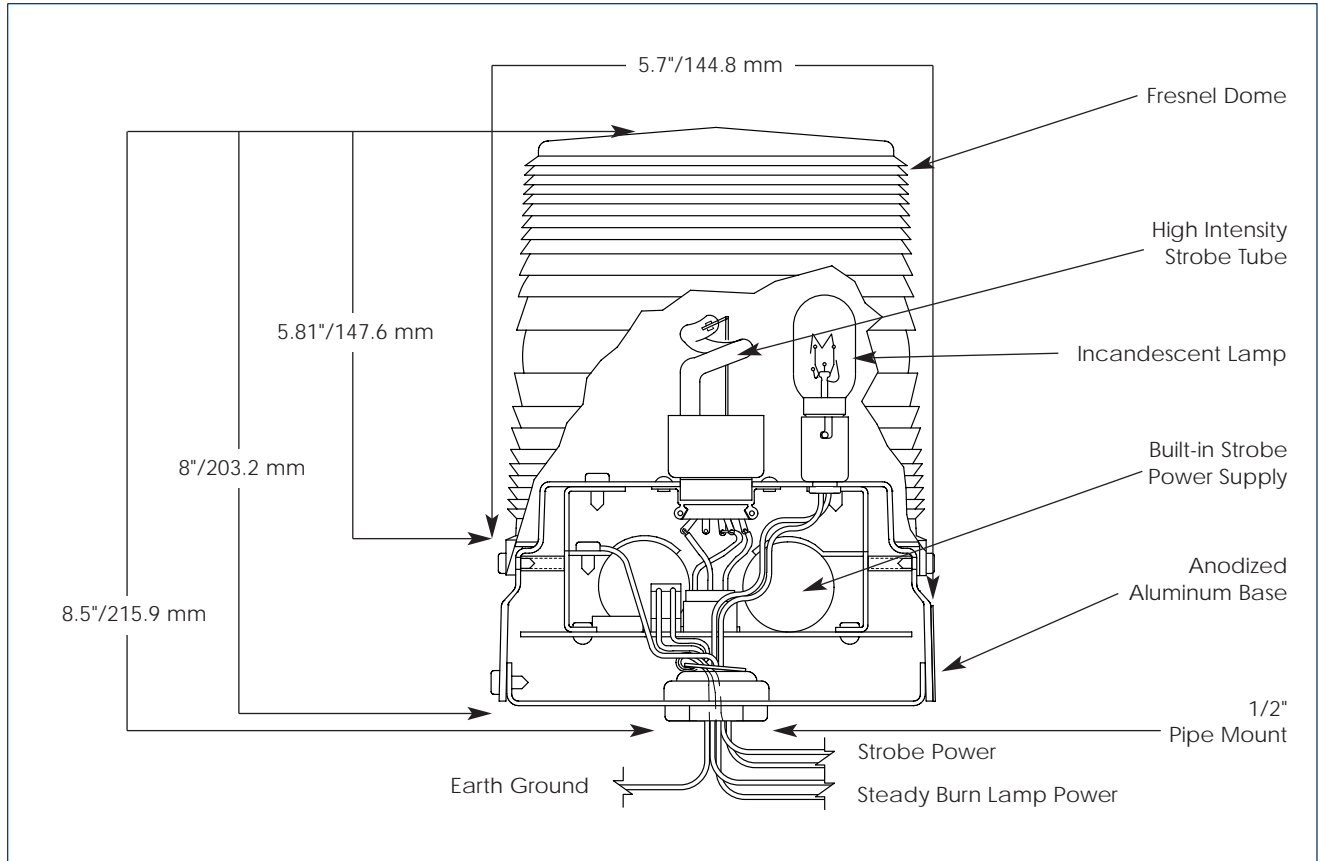
Model	Voltage	Operating Current	Flash Rate/Minute	Strobe Candlepower Peak ¹	ECP ²
131C	24VDC	1.25 amps (strobe) 0.5 amps (incandescent)	80	2,000,000	1,000
131C	120VAC	0.60 amps (strobe) 0.13 amps (incandescent)	80	2,000,000	1,000

¹ Peak candlepower is the maximum light intensity generated by a flashing light during its light pulse

² ECP (Effective Candlepower) is the intensity that would appear to an observer if the light were burning steadily



STROBE/INCANDESCENT WARNING LIGHT (131C)



SPECIFICATIONS

Lamp #1 Style:		10,000 Hour Strobe
Lamp #2 Style:		7,000 Hour Incandescent
Net Weight:	2.0 lbs.	1.0 kg
Shipping Weight:	3.4 lbs.	1.5 kg
Height:	8.50"	215.9 mm
Diameter:	5.70"	144.8 mm

* Optimal hours under ideal conditions.

HOW TO ORDER

- Specify model, voltage and color
- Specify options:
 Corner Bracket (LCMB2)
 Wall Bracket (LWMB2)
 Surface Mount Kit (K8444A211B)
- Please refer to Model Number Index 131C beginning on page 377

REPLACEMENT PARTS

<u>Description</u>	<u>Part Number</u>	<u>Description</u>	<u>Part Number</u>
Dome, Amber	K8422B428A-01	PC Assembly, 24VDC	K2001260C
Dome, Blue	K8422B428A-02	PC Assembly, 120VAC	K2001188C
Dome, Clear	K8422B428A	Strobe Tube	K8107178A
Dome, Green	K8422B428A-03	Incandescent Lamp (24VDC)	K8107210A
Dome, Red	K8422B428A-04	Incandescent Lamp (120VAC)	K8107194A
Dome Gasket	K8444A193A		