

Vitalite® Rotating Warning Light

Model 121S



LIGHT DUTY WARNING LIGHT

- Available in 120VAC
- Five dome colors
- Integrated 1/2-inch pipe mount and surface mount
- UL and cUL Listed, CSA Certified
- Type 4X, IP66 enclosure

Federal Signal's Model 121S is a compact, rotating warning light designed for in-plant use. It features a parabolic reflector which rotates around an incandescent lamp, providing 60 flashes per minute in all directions. The 121S Vitalite® is available in five dome colors (amber, blue, clear, green and red). It is UL (Underwriters Laboratories) Listed, cUL Listed, and CSA Certified.

Federal Signal's 121S comes ready to mount on a 1/2-inch pipe or surface mount. Optional brackets simplify installation on walls or in corners (see page 108). The enclosure is also rated Type 4x for a water tight and dust tight seal.

The lamp projects an intense, fixed beam onto a parabolic reflector which rotates 360°, producing 60 flashes per minute. The 121 features a twist and lock dome which allows for fast and easy access to inspect and change the lamp.

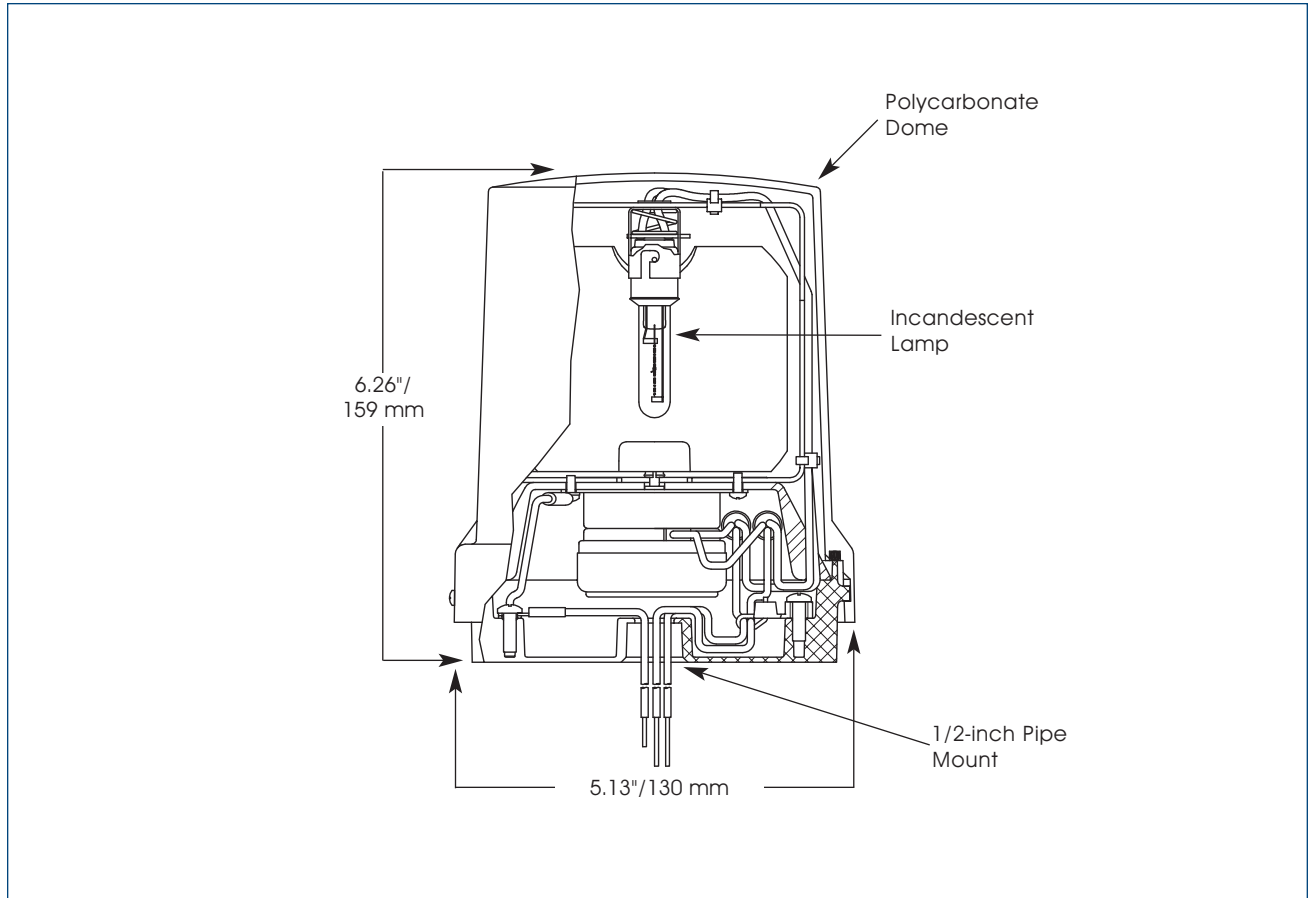
This light is particularly useful as a signaling or warning device in high ambient noise areas where it can supplement audible signaling devices. It is also effective alerting hazardous conditions or dangerous areas.

Federal Signal's Vitalite is an economical rotating warning light for emergency warning or status indication in noisy areas.

Model	Voltage	Operating Current	Flash Rate/Minute	Candlepower	Mount
121S	120VAC 50/60Hz	0.36 amps	60	2,100	Pipe/Surface



VITALITE® ROTATING WARNING LIGHT (121S)



SPECIFICATIONS

Lamp Style:	Incandescent	Incandescent
Operating Temperature:	-31°F to 150°F	-35°C to 66°C
Net Weight:	2.0 lbs.	0.91 kg
Shipping Weight:	2.1 lbs.	0.96 kg
Height:	6.26"	159 mm
Diameter:	5.13"	130 mm

HOW TO ORDER

- Specify model, voltage and color
- Specify options:
Corner Bracket (LCMB2)
Wall Bracket (LWMB2)
- Please refer to Model Number Index 121S beginning on page 371

REPLACEMENT PARTS

Description (Current Series)	Part Number	Description (Older Series)	Part Number
Dome, Amber, Series C	K8444357A-02	Motor, 120VAC	K8241A030-03
Dome, Blue, Series C	K8444357A-01	Dome, Amber, Series A and B	K8444B019A-12
Dome, Clear, Series C	K8444357A	Dome, Blue, Series A and B	K8444B019A-13
Dome, Green, Series C	K8444357A-04	Dome, Clear, Series A and B	K8444B019A-14
Dome, Magenta, Series C	K8444357A-05	Dome, Green, Series A and B	K8444B019A-15
Dome, Red, Series C	K8444357A-03	Dome, Magenta, Series A and B	K8444B019A-17
Incandescent Lamp, 120V, Krypton Series C	K8107251A	Dome, Red, Series A and B	K8444B019A-11