

MODEL 371

**INSTALLATION AND SERVICE INSTRUCTIONS FOR SHOCK MOUNT
KIT FOR COMMANDER® MODEL 371 LIGHTS**

Address all communications and shipments to:



FEDERAL SIGNAL CORPORATION

INSTALLATION AND SERVICE INSTRUCTIONS FOR SHOCK MOUNT KIT FOR COMMANDER® MODEL 371 LIGHTS

SAFETY MESSAGE TO INSTALLERS, USERS AND MAINTENANCE PERSONNEL

It is important to follow all instructions shipped with this product. This device is to be installed by a trained electrician who is thoroughly familiar with the National Electric Code/Canadian Electric Code and will follow the NEC/CEC Guidelines as well as local codes.

The selection of mounting location for the device, its controls and the routing of the wiring is to be accomplished under the direction of the facilities engineer and the safety engineer. In addition, listed below are some other important safety instructions and precautions you should follow:

- Read and understand all instructions before installing or operating this equipment.
- Do not connect this light to the system when power is on.
- After installation, ensure that all threaded joints and bolts are properly tightened.
- After installation, test the light system to ensure that it is operating properly.
- After testing is complete, provide a copy of this instruction sheet to all operating personnel.
- Establish a procedure to routinely check the light installation for integrity and proper operation.

Failure to follow all safety precautions and instructions may result in property damage, serious injury, or death to you or others.

I. INSTALLATION

This product is intended to be used in conjunction with either the Model 371, 371L, 371DST, or 371ST products. These instructions are intended to supplement, and not replace the installation instructions provided with each of these models. The installer should insure that all installation instructions are followed.

A. Unpacking

After unpacking the equipment, examine it for damage that may have occurred in transit. If the equipment has been damaged, do not attempt to install or operate it. File a claim immediately with the carrier stating the extent of the damage. Carefully check all envelopes, shipping labels and tags before removing or destroying them.

B. Mounting

The Model 371 series of lights can be mounted on a flat horizontal surface using the shock mount kit as follows (refer to figure 1).

- a. Using the gasket provided with light as a template or dimensions shown in figure 2, scribe drill position marks for the three mounting holes and center wiring hole on the mounting surface. Drill 9/32" (7.1 mm) diameter holes at the drill position marks for the mounting holes and a 3/8" (9.5 mm) diameter hole for the supply wiring.

NOTE

Surface mounting gasket is only to be used as a template and is not required for installation.

- b. Attach three (3) vibration mounts to the threaded holes in the bottom of the light housing.
- c. Install rubber grommet through $\frac{3}{8}$ " (9.5 mm) diameter hole for supply wire passage.
- d. Route supply wires through grommet allowing approximately 4 to 6 inches (100 to 150mm) of additional slack between mounting surface and bottom of light. Apply silicone sealant around hole and wires to assure water tight seal.
- e. Seal conduit entrance in light with silicone sealant.
- f. Attach light to mounting surface and secure with the provided nuts and lockwashers.
- g. Complete the installation of the light by following the appropriate sections in the instruction sheet that accompanied the device.

II. SERVICE

The Federal factory will service your equipment or provide technical assistance with any problems that cannot be handled locally.

Any units returned to Federal Signal for service, inspection, or repair must be accompanied by a Return Material Authorization. This R.M.A. can be obtained from a local Distributor or Manufacturer's Representative.

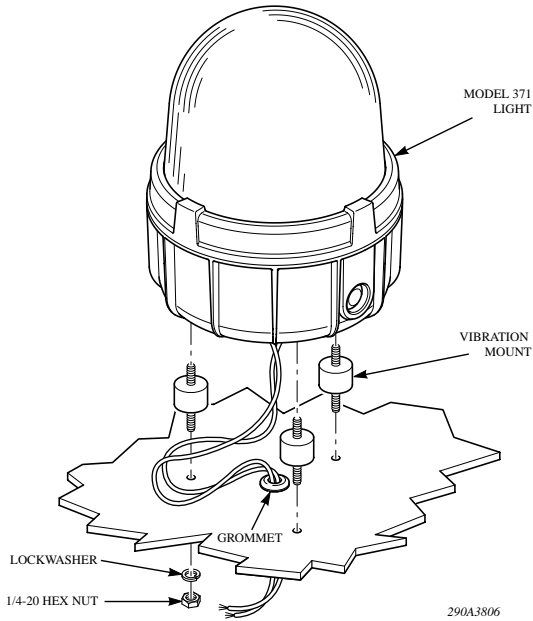
At this time a brief explanation of the service requested, or the nature of the malfunction, should be provided.

Address all communications and shipments to:

FEDERAL SIGNAL CORPORATION

Electrical Products Division
Service Department
2645 Federal Signal Drive
University Park, IL 60466-3195

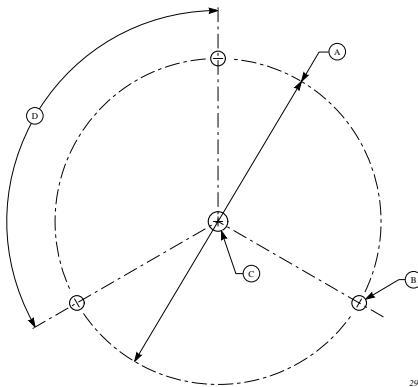
1



2

Key

- A = 6.25" 158.8 mm
- B = 9/32" 7.1 mm
- C = 3/8" 9.5 mm
- D = 120°



2561547A
Rev. A 10/99
Made in U.S.A.



FEDERAL SIGNAL CORPORATION