



FEDERAL SIGNAL

Model LHWB Mounting Kit

***Installation, Operation, and
Maintenance Instructions***



Warranty – Seller warrants all goods for five years on parts and 2-1/2 years on labor, under the following conditions and exceptions: Seller warrants that all goods of Seller's manufacture will conform to any descriptions thereof for specifications which are expressly made a part of this sales contract and at the time of sale by Seller such goods shall be commercially free from defects in material or workmanship. Seller reserves the right at the Seller's discretion to "Repair and Return" or "Replace" any item deemed defective during the warranty period. This warranty does not cover travel expenses, the cost of specialized equipment for gaining access to the product, or labor charges for removal and reinstallation of the product. This warranty shall be ineffective and shall not apply to goods that have been subjected to misuse, neglect, accident, damage, improper maintenance, or to goods altered or repaired by anyone other than Seller or its authorized representative, or if five years have elapsed from the date of shipment of the goods by Seller with the following exceptions: lamps and strobe tubes are not covered under this warranty. Outdoor warning sirens and controllers manufactured by Federal Warning Systems are warranted for two years on parts and one year on labor. No agent, employee, representative or distributor of Seller has any authority to bind the Seller to any representation, affirmation, or warranty concerning the goods and any such representation, affirmation or warranty shall not be deemed to have become a part of the basics of the sales contract and shall be unenforceable. THE FOREGOING WARRANTIES ARE EXCLUSIVE AND IN LIEU OF ALL OTHER WARRANTIES OR MERCHANTABILITY, FITNESS FOR PURPOSE AND OF ANY OTHER TYPE, WHETHER EXPRESS OR IMPLIED. These warranties shall not apply unless Seller shall be given reasonable opportunity to investigate all claims for allegedly defective goods. Upon Seller's instruction a sample only of allegedly defective goods shall be returned to Seller for its inspection and approval. The basis of all claims for alleged defects in the goods not discoverable upon reasonable inspection thereof pursuant to paragraph 8 hereof must be fully explained in writing and received by Seller within thirty days after Buyer learns of the defect or such claim shall be deemed waived.

Industrial Systems

2645 Federal Signal Drive • University Park, IL 60484-3167

Tel: 708-534-4756 • Fax: 708-534-4852

Email: elp@federalsignal.com • www.federalsignal-indust.com

Contents

Safety Messages	1
Installing the Product	2
Certification	2
Unpacking the Product	2
Mounting and Wiring the Light.....	3
Obtaining Service, Assistance, and Parts	6
Returning the Product for Credit	7

Figures

Figure 1 Exploded view light with LHWB mounting kit	4
--	----------

Tables

Table 1 Kit contents.....	2
Table 2 Exploded view parts	5

Safety Messages

It is important to follow all instructions shipped with this product. This device is to be installed by trained personnel who are thoroughly familiar with the country electric codes and will follow these guidelines as well as local codes.

The selection of mounting location for the device, its controls, and wiring routing must be done under the direction of the facilities engineer and the safety engineer. In addition, listed below are some other important safety instructions and precautions you should follow:

- Read and understand all instructions before installing or operating this equipment.
- Disconnect device from the power supply before any installation or maintenance is performed.
- After installation, test the unit to ensure that it is operating properly.
- After testing is complete, provide a copy of this instruction book to all operating personnel.
- Establish a procedure to routinely check the light installation for integrity and proper operation.

Failure to follow all safety precautions and instructions may result in property damage, serious injury, or death.

Installing the Product

The Model LHWB mounting kit enables you to install Federal Signal pipe-mount strobe and warning lights to a wall or other vertical surface. The kit is supplied with a surface-mount, weather-proof box. The light can be mounted with the dome up or down.

Unpacking the Product

After unpacking the product, examine it for damage that may have occurred in transit. If the equipment has been damaged, do not attempt to install or operate it. File a claim immediately with the carrier stating the extent of the damage. Carefully check all envelopes, shipping labels, and tags before removing or destroying them. Check the parts received against the kit contents list to ensure that the mounting kit is complete (Table 1).

Table 1 Kit contents

Qty.	Description	Part Number
1	Mounting Bracket	159263
1	Back Box	8435687-05
1	Back Box Gasket	8435696
4	Bracket Mounting Screws, 8-32	7000A428-10
4	Nylon Screw Collars	7076024
1	Conduit Nipple, 3/4" NPT x 3" LG	288960
2	Conduit Plug, 3/4" NPT	8435109
1	Conduit Plug, 1/2" NPT	8547A051

Also required is installer-supplied hardware that is capable of supporting the weight of the bracket and light. In addition, accessory kit K2881337 is required for 1/2" pipe-mount lights and accessory kit K2881338 is required for 1" pipe-mount lights. Both kits are purchased separately.

Mounting and Wiring the Light

⚠ WARNING

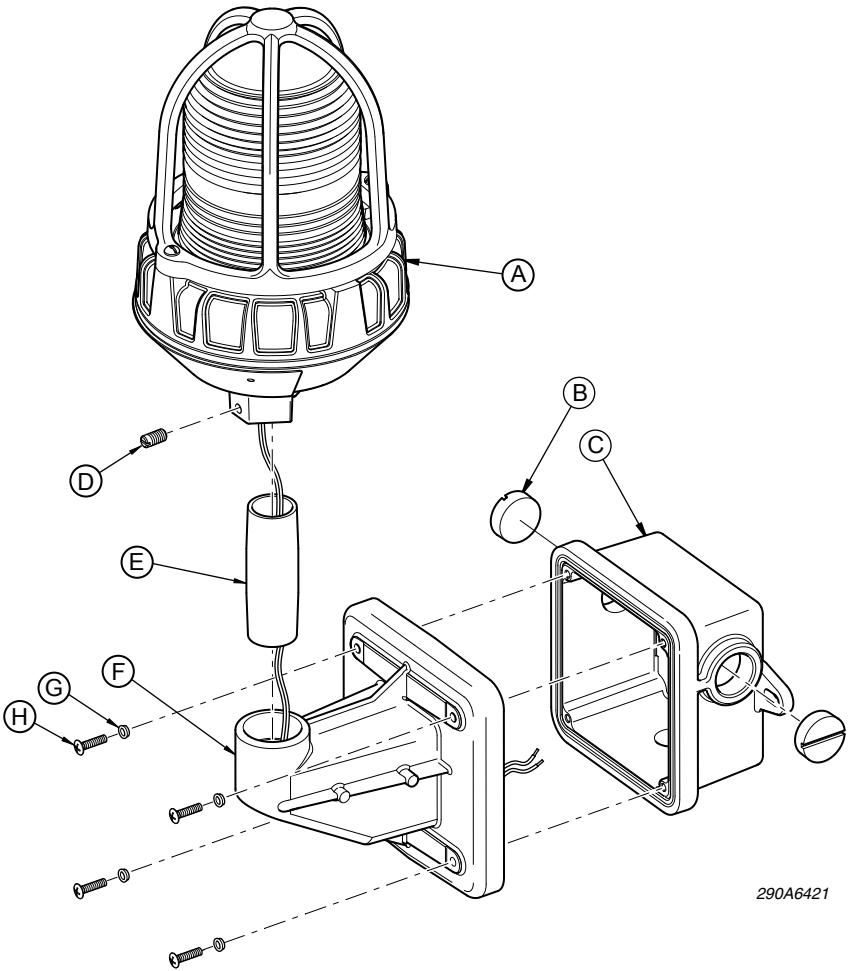
SHOCK HAZARD—Do not connect the light to the system while the power is on.

1. Using the back box as a template, mark the location of the mounting holes on the selected mounting surface. Drill holes and attach the back box to the mounting surface with installer-supplied hardware that is capable of supporting the weight of the bracket and light.
2. Attach the back box to the conduit/cabling system and leave 6 inches of supply wire inside the box for connecting the light. Plug all unused entries with the supplied plastic conduit plugs. To avoid stripping the heads, do not overtighten the plugs.
3. The next step depends on the size of the pipe-mount light:
 - a) For 3/4" NPT pipe mount lights, feed the lead wires from the light through the 3"-long conduit nipple and thread the nipple into the light until the nipple is secure. If a set screw is provided, tighten it on the light to secure the light to the conduit nipple (Figure 1 on page 4).
 - b) For 1/2" NPT pipe-mount lights, use accessory kit K2881337.
 - c) For 1" NPT pipe-mount lights, use accessory kit K2881338.

Kits K2881337 and K2881338 include proper conduit nipples and reducer bushings for these applications.

5. Feed the supply wires through the entry on the wall bracket and thread the nipple into the bracket until the nipple is secure.
6. Make the wiring connections inside the back box according to the instructions provided with the light. A ground screw is provided inside the back box to terminate the earth wires.
7. Attach the light/bracket assembly to the back box using the four supplied 8-32 screws with nylon screw collars. To ensure that the gasket is properly compressed, tighten the screws to approximately 15 in-lb.
8. Apply power and test the installation for proper operation.

Figure 1 Exploded view of light with LHWB mounting kit



290A6421

Table 2 Exploded view parts list

Item	Description
A	Light (not provided)
B	Conduit Plugs (3)
C	Weather-Proof Back Box
D	Set Screw (if equipped)
E	3/4" NPT x 3 Conduit Nipple
F	Cast Wall Bracket
G	Nylon Screw Collars (4)
H	8-32 Mounting Screws (4)

Obtaining Service, Assistance, and Parts

Products returned for repair require a Return Authorization form. To obtain service for the product, please contact the Federal Signal Service Department at 708-534-4858.

For technical assistance, please call Federal Signal Technical Support at 708-534-3424, extension 5823.

To order replacement parts, please call Federal Signal **Customer Support** at 708-534-4756.

Returning the Product for Credit

Product returns for credit require a return authorization from your local distributor prior to returning the product to Federal Signal. Please contact your distributor for assistance.

A product is qualified to be returned for credit when the following conditions are met:

- Product is resalable and in the original cartons
- Product has not been previously installed
- Product is the current revision
- Product has not been previously repaired
- Product is a standard product
- Product is not a service part

All returns are subject to a re-stock fee.

Defective products that are returned within the warranty period will be repaired or replaced at Federal Signal's sole discretion. Defective products do not include those products with lamp failure.

Circumstances other than those listed above will be addressed on a case-by-case basis.



Federal Signal Corporation
Industrial Systems
2645 Federal Signal Drive
University Park, IL 60484-3167, U.S.A.

© 2010 Federal Signal Corporation