



# Intrinsically Safe LED Visual Status Indicator

Model WVL-IS

Model WVL-IS is a compact status indicator with an array of six high output LED's. Approvals include ATEX and IECEx for Zone 0 applications and FM approval for Class I Division 1 and Class I Zone 0 applications.

The WVL-IS is suitable for all intrinsically safe signalling applications including fire, security and process control.

## FEATURES:

- Input overload and reverse current protection
- Fresnel lens optimizes LED effectiveness

## APPROVALS:

- ATEX certificate: Sira10ATEX2102X  
EN 60079-0 : 2006    EN 60079-11 : 2007  
EN 60079-26 : 2007
- IECEx certificate: IECEx SIR 10.0046X  
IEC 60079-0 : 2007    IEC 60079-11 : 2006  
IEC 60079-26 : 2006
- FM approved  
Class 3600 1998    Class 3610 1999  
Class 3810 2005

Model	Voltage	Voltage Range	Operating Current
WVL-IS	24VDC	16-28VDC	25mA

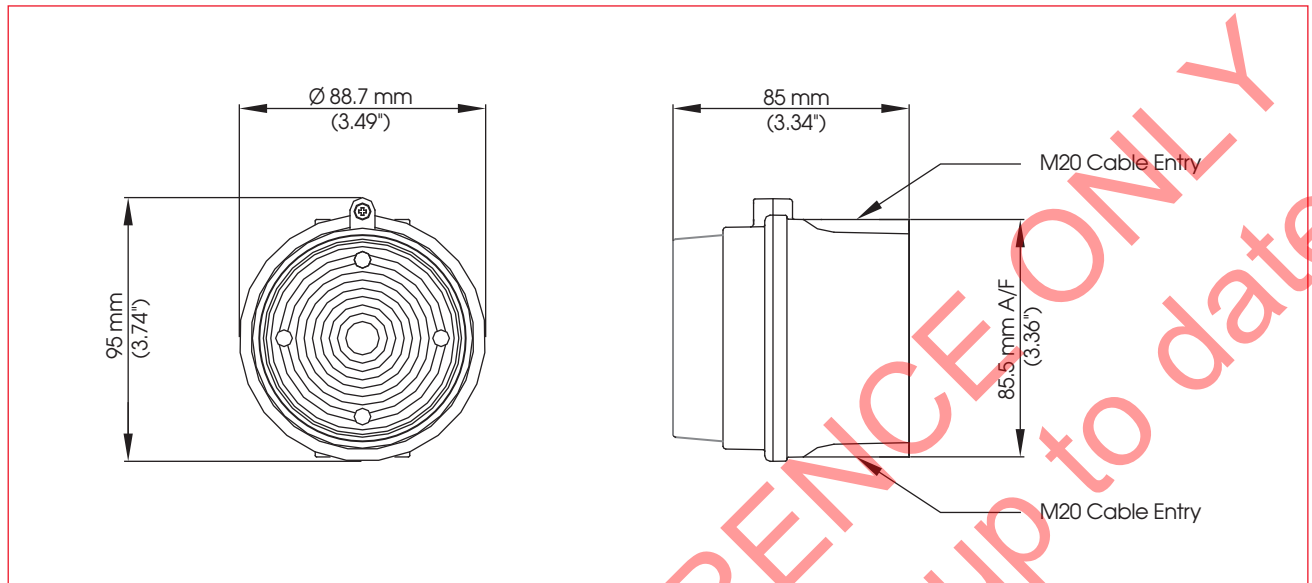
## HOW TO ORDER

**WVL-IS - A**

MODEL NUMBER	LENS COLOR
<b>WVL-IS</b> Intrinsically Safe LED Visual Status Indicator	<b>A</b> - Amber <b>B</b> - Blue <b>C</b> - Clear <b>G</b> - Green <b>R</b> - Red



## INTRINSICALLY SAFE LED VISUAL STATUS INDICATOR (WVL-IS)



### SPECIFICATIONS

ATEX / IECEx / FM:	II 1G Ex ia IIC T4 Ga (-40°C ≤ Ta ≤ +60°C) IS Class I, Zone 0, AEx ia IIC T4 IS Class I, Division 1, Groups A, B, C, D	
Light source:	Array of 6 high intensity LEDs	
LED colors:	Amber, Blue, Clear, Green & Red	
Flash modes:	Double flash at 2Hz and 1Hz	
Voltage:	16-28VDC via Zener barrier or galvanic isolator	
Current:	25mA typical when powered from 24V supply via 28V 300 Ohm Zener barrier	
Ingress protection:	IP65	
Rating:	Continuous	
Housing material:	UL94V0 & 5VA FR ABS & PC	
Housing color:	RAL3000 Red	
Fixings:	Stainless Steel	
Cable entries:	2 x M20 clearance gland knockouts. Custom configurations also available.	
Terminals:	0.001 to 0.098"	0.5 to 2.5mm <sup>2</sup>
Operating temp:	-104°F to +140°F	-40°C to +60°C
Storage temp:	-104°F to +158°F	-40°C to +70°C
Relative humidity:	90% at 68°F	90% at 20°C
Product weight:	0.20Kg	
Shipping weight:	0.35Kg	



Also available as a combined alarm sounder and LED beacon the WAV-IS unit.

May be powered from any certified Zener barrier or galvanic isolator whose output parameters do not exceed:

U<sub>o</sub>: 28VDC

I<sub>o</sub>: 660mA

P<sub>o</sub>: 1.2W