

# Vehicular Light Bar

## Model VLB



### MINI LIGHTBAR

- Modular system
- 360 degree light distribution
- Quad flash, 9 joule output
- Magnet mount or permanent mount
- Low current draw
- Weather resistant housing
- Meets, SAE J1318 Class II

The Highlighter Strobe is designed for those who prefer the look of the traditional halogen light bar, but require strobe technology.

The Highlighter Strobe features 2 strobe heads and an integrated microprocessor controlled power supply that produces an alternating quad flash of 9-joules per head. The alternating flash tubes are positioned under onmi-directional Fresnel lens for maximum lens fill and off-axis visibility.

All Highlighter Strobe models meet SAE J1318 Class 2 requirements.

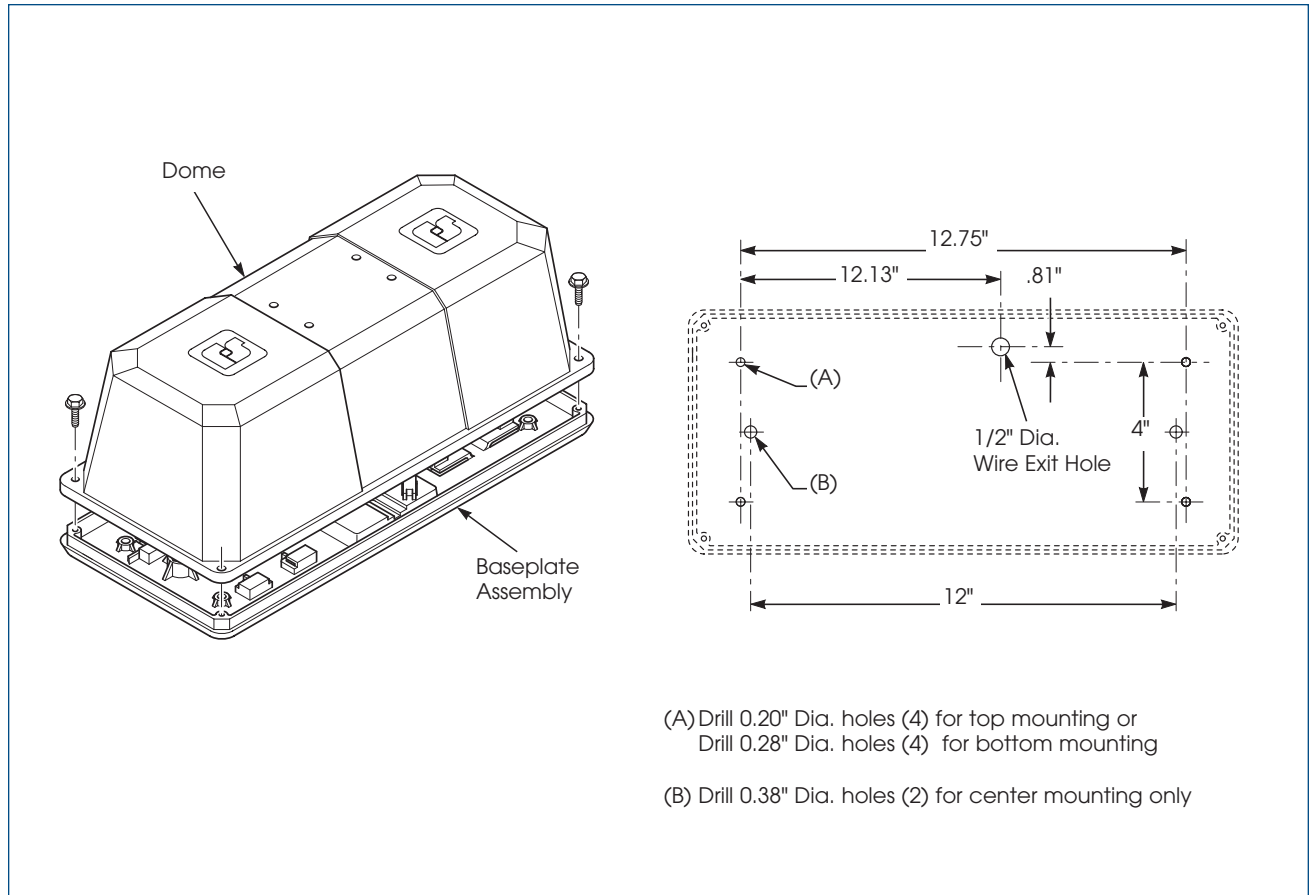
Mounting options include permanent mount or the flexibility of a suction cup/magnetic mounting. Magnetic mount unit come equipped with a cigarette lighter power plug with an integrated ON/OFF switch for easy operational control. Permanent mounting can be achieve with any of the available mounting kits<sup>1</sup>; FMK – Flat Mounting Kit, RMK – Riser Mounting Kit.

<sup>1</sup> Permanent mounting requires one of the available mounting kits for installation

Model	Operating Voltage	Operating Current	Mounting Configuration
VLB-012AP	12VDC	3.6 amps @ 12.8VDC	Permanent
VLB-012AM	12VDC	3.6 amps @ 12.8VDC	Magnetic



## VEHICULAR LIGHT BAR (VLB)



### SPECIFICATIONS

Shipping Weight:		
Permanent	5.0 lbs.	2.3 kg
Magnetic	5.0 lbs.	2.3 kg
Height:		
Permanent	5.0"	127.0 mm
Magnetic	5.0"	127.0 mm
Width:	9.0"	229.0 mm
Length:	15.0"	381.0 mm

### HOW TO ORDER

- Specify model, mounting, color and voltage
- Specify Mandatory Accessories for Permanent Mounting; Flat mount kit (FMK) Riser mount kit (RMK)
- Please refer to Model Number Index VLB beginning on page 374

### REPLACEMENT PARTS

<u>Description</u>	<u>Part Number</u>
Strobe tube assembly with connector	KZ8560082A
Power supply assembly	KZ8560081A
Clear internal lens	K208669
Outer dome, Amber	K452510-02