



LED

# UniStat™ Status Indicator

Model USI and USIS

## MULTICOLOR LED TYPE 4X STATUS INDICATOR

- Available in 24DC and 120VAC
- Tri or quad-color models
- 100,000 hour, vibration-resistant LED light source
- Models available with built-in sounder
- Surface mount and integrated 3/4-inch NPT pipe mount
- PLC compatible
- Indoor use only
- Type 4X, IP66 enclosure
- Type 1 with sounder
- UL and cUL Listed

The UniStat™ is an LED (light emitting diode) based, multi-color, single-high status indicator.

Using the latest die level LED technology, this unique status indicator can produce three colors (Amber, Green and Red) or four colors (Amber, Blue, Green and Red) from a single light source.

Ideal for OEM applications, the UniStat is compact, attractive, and easy to install. The low profile UniStat produces as much light as its much larger competitors.

The UniStat offers a choice of four integrated flash patterns – steady burn, slow flash, strobe flash and SimuStrobe™. SimuStrobe simulates the attention-getting flash rate of a strobe light but with a much more color-rich output. The user can choose a total of 12 possible flash/color combinations in the tri-color models and 16 in the quad-color models.

When the application calls for an increased sense of urgency, specify the model USIS with an integrated piezo sounder. Producing 60dB at 10 feet, the USIS is the ideal attention getter in process control applications.

Like the multi-level, multi-color, multi-lamp Microstat™, the UniStat is rated Type 4X (models with sounder are rated Type 1). Each model arrives pre-assembled and ready to surface mount or 3/4-inch NPT pipe mount. Options for the UniStat include pipe mount extensions (4", 16", & 32"), a wall mount bracket and a tulip mount base (see page 16).

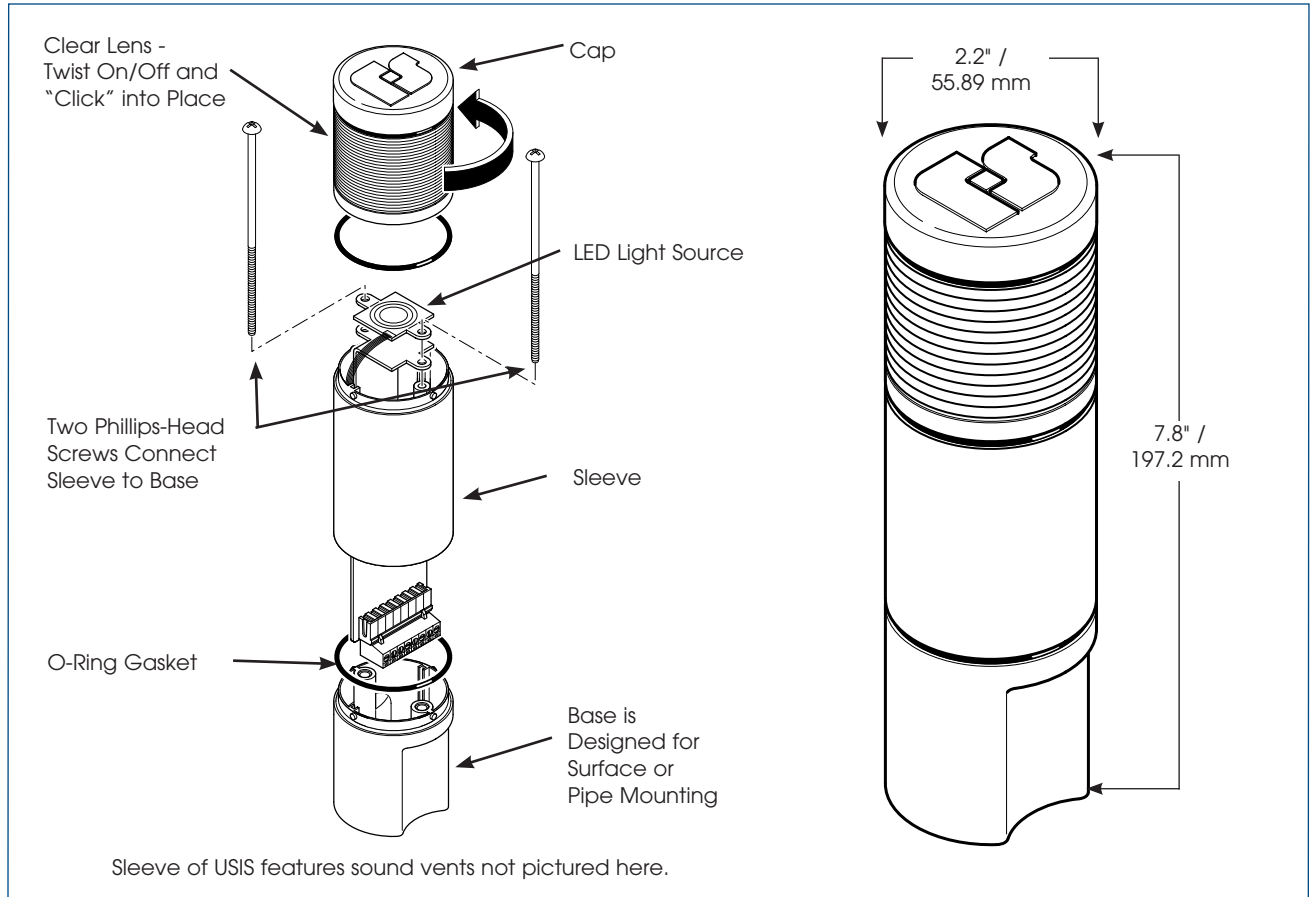
Model	Description	Voltage	Operating Current	Mount
USI/USIS-024TC <sup>1</sup>	Tri-color	24DC	100 mA <sup>2</sup>	3/4" NPT Pipe or Surface
USI/USIS-120TC <sup>1</sup>	Tri-color	120VAC	60 mA <sup>2</sup>	3/4" NPT or Surface
USI/USIS-024QC <sup>1</sup>	Quad-color	24DC	100 mA <sup>2</sup>	3/4" NPT or Surface
USI/USIS-120QC <sup>1</sup>	Quad-color	120VAC	60 mA <sup>2</sup>	3/4" NPT or Surface

<sup>1</sup> USIS indicates built-in Sounder

<sup>2</sup> Sounder draws 100 mA on all models



## UNISTAT™ WITH LED LAMP (USI/USIS)



### SPECIFICATIONS

Lamp Life:	100,000 Hours	100,000 Hours
Light Source:	LED Array	LED Array
Operating Temperature:	32°F to 104°F	0°C to 40°C
Net Weight:	0.4 lbs.	0.18 kg
Shipping Weight:	0.7 lbs.	0.32 kg
Height:	7.8"	197.2 mm
Diameter:	2.2"	55.9 mm

### HOW TO ORDER

- Specify model number, voltage and tri-color or quad-color
- Specify optional sounder
- Specify Accessories from page 16
- Please refer to Model Number Index USI/USIS beginning on page 368

### REPLACEMENT PARTS

<u>Description</u>	<u>Part Number</u>
Lens, Clear	K8447042A-02
Cap, Tan	K8447044A
O-Ring	K8447054B
LED Array, Tri-color	K2005328A
LED Array, Quad-color	K2005328A-01
PCB, USI 24VDC	K2005347A
PCB, USI 120VAC	K2005347A-02
PCB, USIS 24VDC	K2005347A-01
PCB, USIS 120VAC	K2005347A-03