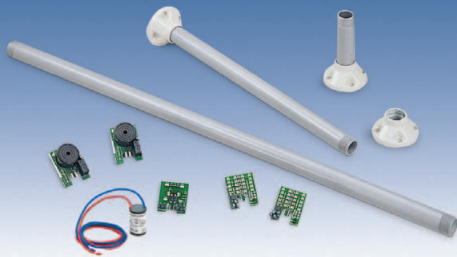


# MicroStat® Status Indicator Optional Accessories

## Models

MSLBRCKT, MSLED, MSP, MSS, MSTB



## ADD THESE OPTIONS TO YOUR MICROSTAT®

- Plug-in sound module, 24VDC and 120VAC
- Flashers, 24VDC and 120VAC
- Wall mount bracket
- Plug-in LED's in five colors – Amber, Blue, Clear, Green, or Red
- Pipe extensions <sup>3</sup>/<sub>4</sub>-inch NPT
- Tulip-style pipe-mount base
- UL and cUL Listed (MSLED, MSS)

A variety of optional equipment is available for the MicroStat®.

### MSLBRCKT

Wall mounting the MicroStat is simple with this basic bracket.

### MSLED

Five plug-in LED's are available for the MicroStat; Amber, Blue, Clear, Green, or Red. The MSLED replaces the lamp in any MSL light module. These surface mount printed circuit board lamp simulators represent the state of the art in LED technology. MSLED modules are UL Listed.

### MSP

Some applications require that the status indicators be raised above the machine surface. Using powder coated steel pipe extensions helps improve the visibility of the MicroStat. Three different lengths are available for the MicroStat. They measure 4-inches (MSP-4), 16-inches (MSP-16) and 32-inches (MSP-32).

### MSS

Adding sound to the MicroStat is simple with the plug-in Sound Module. The Sound Module produces 83-85dB @ 10'. This compact piezo device replaces the lamp in the top position of any MicroStat. A slotted opaque lens protects the sound module circuit and permits the sound to be heard at maximum levels. Adding the sound module to the MicroStat changes the Type rating from 4X to Type 1. Sound modules are available in 24VDC and 120VAC operating voltages.

### MSTB

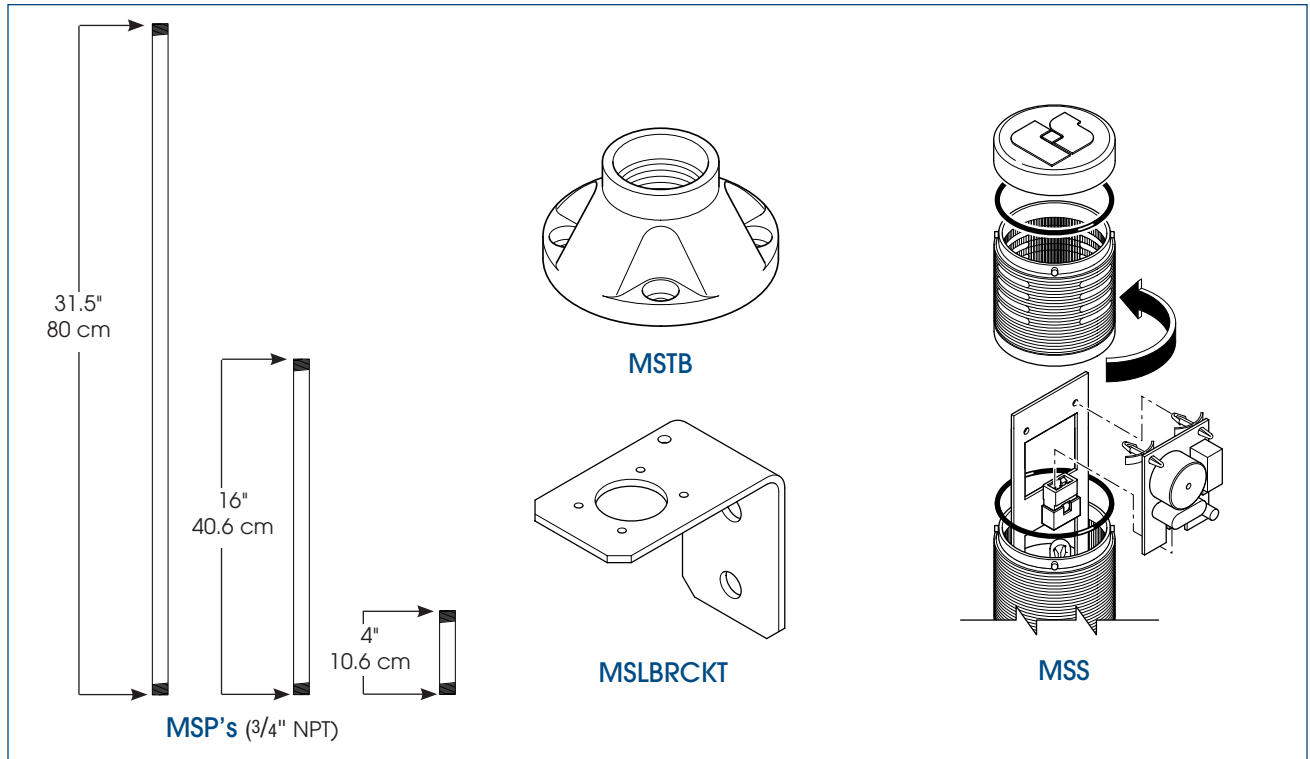
The MicroStat base can be pipe-mounted or surface-mounted. When using the pipe extensions the Tulip Base is required for a true surface mount.

### FLASHERS

Flashers for the MicroStat are available in 24VDC and 120VAC. Each flash at 75 fpm.



## MICROSTAT® OPTIONAL EQUIPMENT



### SPECIFICATIONS

#### ***MSS***

Operating Current:	24VDC	0.03 amps
	120VAC	0.04 amps
dB Output:	93-95dB @ 10'	83-85 @ 1m
Net Weight:	0.25 lbs.	0.11 kg
Shipping Weight:	0.75 lbs.	0.34 kg
Height:	2.0"	50.8 mm
Diameter:	2.2"	55.9 mm

#### ***MSLED***

Operating Current:	24VDC	0.095 amps
	120VAC	0.095 amps
Net Weight:	0.05 lbs.	0.02 kg
Shipping Weight:	0.55 lbs.	0.25 kg
Height:	1.75"	44.45 mm
Width:	1.5"	38.1 mm

#### ***MSLBRCKT***

Net Weight:	0.4 lbs.	0.18 kg
Shipping Weight:	0.9 lbs.	0.41 kg
Height:	3.45"	87.63 mm
Width:	2.0"	50.8 mm

#### ***MSTB***

Net Weight:	0.3 lbs.	0.14 kg
Shipping Weight:	0.8 lbs.	0.36 kg
Height:	1.5"	38.1 mm
Diameter:	2.75"	1.25 mm

#### ***FLASHERS***

Flasher, 24VDC	K8285237A
Flasher, 120VAC	K8285239A

### REPLACEMENT PARTS

<b><i>Description</i></b>	<b><i>Part Number</i></b>
LED Lamp, Amber	MSLED-A
LED Lamp, Blue	MSLED-B
LED Lamp, Clear	MSLED-C
LED Lamp, Green	MSLED-G
LED Lamp, Red	MSLED-R

### HOW TO ORDER

- Specify model
- Specify voltage for sound modules and flashers
- Specify color for LED lamps
- Please refer to Model Number Index Microstat Options beginning on page 368