

Pioneer™ Rotating Beacon Ray

Model 27S



MEDIUM DUTY WARNING LIGHT

- Available in 120VAC
- Six lens colors
- 2,000 hour sealed beam lamp
- Integrated 1/2-inch NPT pipe mount
- Type 3R enclosure
- UL and cUL Listed and CSA Certified

Federal Signal's Model 27S is a medium sized, highly effective warning light designed for upright mounting and AC operation.

The 27S streamlined design features a sturdy housing finished in gray enamel. The Pioneer™ is available in six lens colors (Amber, Blue, Clear, Green, Magenta and Red), and is UL Listed and CSA Certified.

The Model 27S is ready to mount on a 1/2" NPT pipe. In addition, optional mounting brackets simplify installation on walls or in corners.

A high intensity 65 watt sealed beam lamp projects a fixed beam downward onto a 360° rotating reflector set at a 45° angle, producing the 60 flashes per minute in all directions.

Model 27S is a versatile warning or signaling light useful in a variety of in-plant applications. It has been designed for permanent installation where a 120VAC, 50/60Hz line voltage is available.

This light is particularly useful as a signaling or warning device in high ambient noise areas where it can be used to supplement or supplant audible signaling devices.

The 27S is effective for alerting of hazardous conditions or identifying dangerous areas.

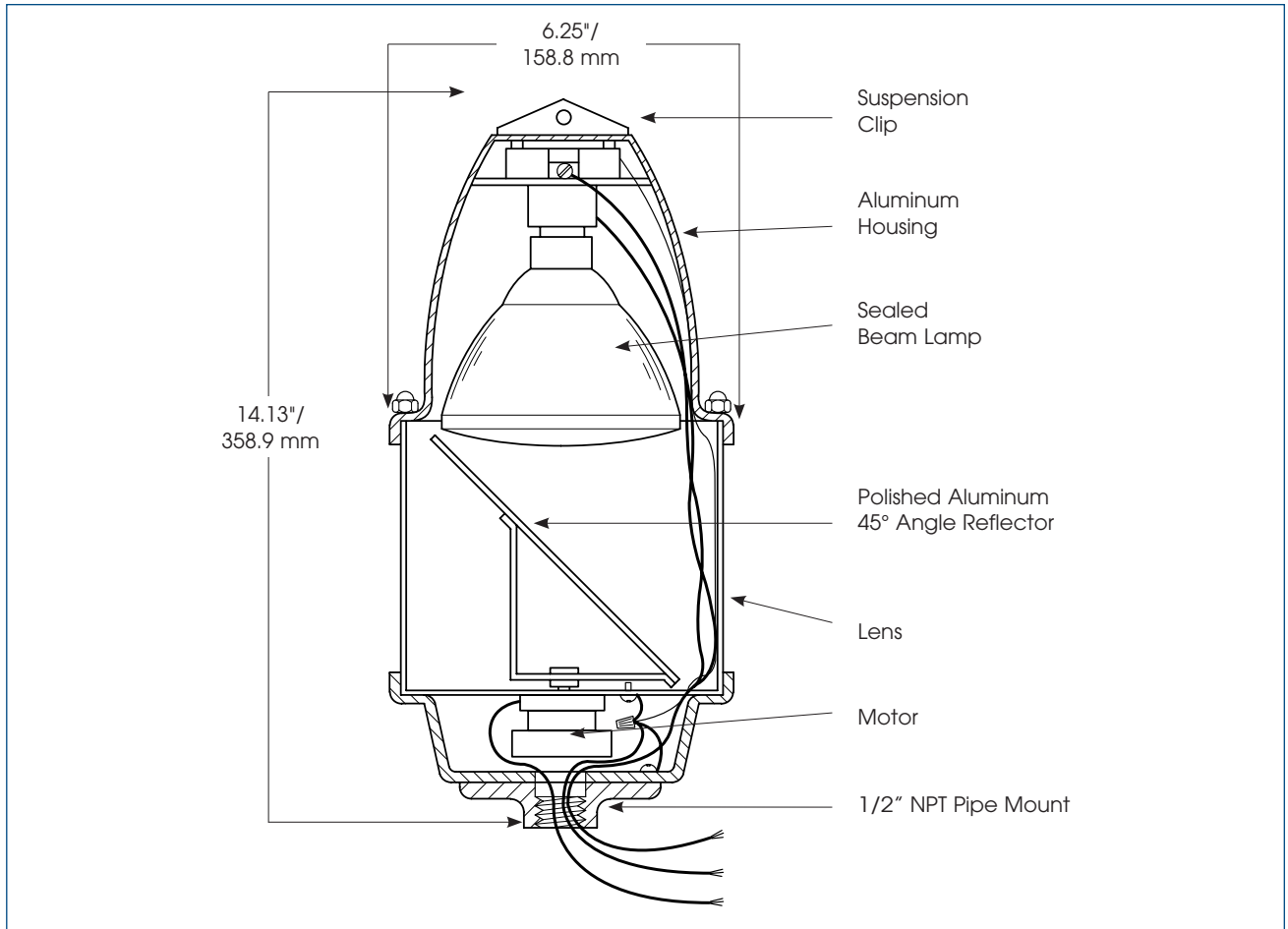
Federal Signal's Pioneer Rotating Beacon Ray is a dependable mid-range warning light which meets or exceeds the durability and light output requirements of most manufacturing environments.

Model	Voltage	Operating Current	Flash Rate/Minute	Candela	Mount
27S-120*	120VAC 50/60HZ	0.64 amps	60	6,000	1/2" NPT Pipe

* Indicates color: (A) Amber, (B) Blue, (C) Clear, (G) Green, (M) Magenta or (R) Red



PIONEER™ BEACON RAY (27S)



SPECIFICATIONS

Lamp Life:	2,000 Hours	2,000 Hours
Light Source:	65 Watt Sealed Beam	65 Watt Sealed Beam
Operating Temperature:	32°F to 120°F	0°C to 49°C
Net Weight:	3.1 lbs.	1.4 kg
Shipping Weight:	4.0 lbs.	1.8 kg
Height:	14.13"	358.9 mm
Diameter:	6.25"	158.9 mm

HOW TO ORDER

- Specify model, voltage and color
- Optional Accessories:
Corner Bracket (LCMB2)
Wall Bracket (LWMB2)
- Please refer to Model Number Index 27S beginning on page 369

REPLACEMENT PARTS

<i><u>Description</u></i>	<i><u>Part Number</u></i>	<i><u>Description</u></i>	<i><u>Part Number</u></i>
Dome, Amber	K8241B031K-16	Dome, Magenta	K8241B031K-15
Dome, Blue	K8241B031K-14	Dome, Red	K8241B031K-12
Dome, Clear	K8241B031K-13	Sealed Beam Lamp, 120V	K8241A014B
Dome, Green	K8241B031K-11	Motor, 120VAC	K8241A030-03