

MODEL AM300X
INSTALLATION AND SERVICE INSTRUCTIONS
FOR MODEL AM300X

MODELO AM300X
INSTRUCCIONES PARA LA INSTALACIÓN Y EL MANTEN-
IMIENTO
DEL MODELO AM300X

MODÈLE AM300X
CONSIGNES POUR L'INSTALLATION ET L'UTILISATION

Address all communications and shipments to:
Dirija toda la correspondencia y envíos a:
Adressez toutes les communications et expéditions à:



FEDERAL SIGNAL CORPORATION
Electrical Products Division
2645 Federal Signal Drive
University Park, IL 60466-3195

**INSTALLATION INSTRUCTIONS
FOR
MODEL AM300X AUDIOMASTER EXPLOSION-PROOF SPEAKER**



Failure to follow all safety precautions and instructions may result in property damage, serious injury, or death to you or others.

 SAFETY MESSAGE TO INSTALLERS

People's lives depend on your safe installation of our products. It is important to follow all instructions shipped with the products. This device is to be installed by a trained electrician who is thoroughly familiar with the National Electric Code and will follow the NEC guidelines as well as local codes.

The selection of the mounting location for the device, its controls and routing of the wiring is to be accomplished under the direction of the Facilities Engineer and the Safety Engineer. In addition, listed below are some other important safety instructions and precautions you should follow:

- Read and understand all instructions before installing or operating this equipment.
- This unit must be installed by a qualified electrician in accordance with all National and local Electrical and Fire Codes, under the direction of the authority having jurisdiction.
- Do not connect this unit to the system when power is on.
- All effective warning speakers produce loud sounds which may cause, in certain situations, permanent hearing loss. You should take appropriate precautions such as wearing hearing protection.
- After installation, test the sound system to ensure proper operation.
- All effective warning speakers produce loud sounds, which may cause, in certain situations, permanent hearing loss. The device should be installed far enough away from potential listeners to limit their exposure while still maintaining its effectiveness. The OSHA Code of Federal Regulations 1910.95 Noise Standard provides guidelines which may be used regarding permissible noise exposure levels.
- Show these instructions to your Safety Engineer and then file them in a safe place and refer to them when maintaining and/or reinstalling the unit.
- After installation and completion of initial system test, a program of periodic testing of this device must be established. Refer to NFPA 72G, local Fire Codes and the authority having jurisdiction for this information.
- Consult the authority having jurisdiction in your area regarding the proper use and installation of this product.

I. GENERAL.

The AudioMaster Model AM300X is a 25 Vrms and 70 Vrms, indoor/outdoor rated, selectable power output (1, 2, 7, or 15 watts), hazardous location loudspeaker for use with fire alarm and general signaling systems such as Federal Signal's SelecTone system. This model is suitable for use in areas with high ambient noise levels. It is designed to reproduce electronically generated warning tones, which command rapid recognition, and full range voice communication. An adjustable mounting bracket is provided to allow positioning for desired sound coverage.

II. SPECIFICATIONS.

Operating Voltage:	25Vrms or 70Vrms
Power Input (selectable):	1W, 2W, 7W, and 15W
Maximum Supervisory Voltage:	50VDC
Weight (approx.):	15.7 lbs. (7.1 kg)
Size:	16.3" (414mm) long , 17.0" (432mm) high, 13.1" (333mm) wide
Construction:	Aluminum enclosure and adjustable steel mounting bracket with a powder coat finish
Frequency Response	
Voice:	800 - 3150Hz
Tone:	400 - 4000Hz
Approval Agency Listings:	Reference product nameplate

Audibility information is shown in Table 1.

III. INSTALLATION.

A. *Unpacking.*

After unpacking the speaker, examine it carefully for possible damage that may have occurred in transit. If equipment has been damaged, immediately file a claim with the carrier stating the extent of the damage. Carefully check all shipping labels and tags for special instructions before removing or destroying them.

B. *Mounting Arrangements.*

The speaker can be mounted on any relatively flat surface capable of supporting the speaker's weight. Conduit connections can be made to the 1/2" NPT threaded openings at bottom of the housing (see figure 2).



Property damage, serious injury, or death could occur if an accumulation of water, snow, dust, etc. resides in the speaker projector, severely reducing or preventing operation of this device. Mount the unit so speaker projector is pointed horizontally or slightly downward.

1. Remove the two 1/2"-13 hex head bolts, flat washers and lockwashers that secure the mounting bracket to the unit. Disconnect the lanyard from the mounting bracket at the cotter ring.

2. Select mounting location.

▲WARNING

Property damage, serious injury, or death could occur if any objects are in front of speaker, severely reducing optimum sound distribution. For maximum effectiveness, ensure that the front of the speaker is clear of obstructions.

3. Using the mounting bracket as a template, scribe drill position marks on the mounting surface. See figure 1 for mounting hole locations and dimensions.

▲CAUTION

Before drilling holes in any surface, be sure both sides of surface are clear of anything that could be damaged.

4. Drill holes at the previously scribed drill position marks to accommodate 1/2" diameter screws.

5. Secure bracket to mounting surface with 1/2" diameter screws appropriate for the type of mounting surface material.

▲WARNING

Property damage, serious injury, or death could occur if the machined sealing surfaces are damaged on this product. To maintain the effectiveness of the explosion-proof enclosure, be careful to avoid damaging the machined sealing surfaces of cover and housing.

6. Reattach unit to its mounting bracket with the two 1/2"-13 hex head bolts, flat washers and lockwashers previously removed. Position speaker so as to obtain desired sound coverage then tighten these bolts securely.

7. Reattach the lanyard to the cotter ring and mounting bracket. Check to verify that it is securely attached to both the cover and the mounting bracket. Loosen and remove the threaded cover by turning it counter-clockwise. Allow the cover to hang by the attached lanyard.

8. Route wires through the 1/2" NPT threaded openings into the housing in accordance with national and local electrical and fire codes. Wire size depends upon the operating current and the distance from the power source.

9. Before reinstalling the housing cover, read paragraph C, in section III, ELECTRICAL CONNECTIONS below and make necessary connections.

C. *Electrical Connections.*



To avoid electrical shock, do not connect wires when circuits are energized.

NOTE

Audio wires should be sized properly by your licensed installation electrician for your service application. This cable requires a twisted shielded pair with an 18 AWG minimum and should produce no more than 15% signal line loss over the length of the cable run.

National Electrical Code, as well as local codes, must be followed during installation of these models. All electrical wiring must be routed through conduit and fittings approved for explosion-proof installations.

1. Connect the audio common leads (-) to the speaker's common terminal (marked COM) and the audio positive (+) leads to the desired wattage terminal (see figures 2 and 3).



An un-insulated section of a single conductor must NOT be looped around a terminal and used as two separate connections. NFPA 72 requires that the wire is severed to provide electrical supervision of the connection.

2. Using the supplied jumper wire, connect one end of the jumper wire to the terminal marked with the appropriate operating voltage (see figure 3). Connect the other end to the terminal marked "SPK".

3. Carefully reinstall housing cover and tighten it until the cover flange makes contact with the housing. Tighten the setscrew on the cover to secure the cover. Verify that the mounting bolts have been securely tightened.



Property damage, serious injury, or death could occur if the housing is not closed properly. To reduce possibility of explosion, housing cover must be kept tight while circuits are energized.

IV. TESTING / OPERATING.



Under certain conditions these devices are capable of producing sounds loud enough to cause hearing damage. Adequate hearing protection should be worn if standing within close proximity to device while testing. Recommendations in the OSHA Sound Level Standard (29 CFR 1910) should not be exceeded.

A. After installation is complete, be sure to test the system to verify that each speaker operates satisfactorily. If it is found that the unit is too loud for its location, a lower wattage tap may be selected. Carefully remove the housing cover and move the positive (+) lead to a lower wattage tap (see figure 3). Reinstall the housing cover and retest.



Property damage, serious injury, or death could occur if the housing is not closed properly. To reduce possibility of explosion, housing cover must be kept tight while circuits are energized.

B. After completion of initial system test, establish a program for periodic testing of this device. Refer to NFPA 72G, local Fire Codes and the authority having jurisdiction for this information.

C. Provide a copy of these instructions for the Safety Engineer, system operator(s) and maintenance personnel.

SAFETY MESSAGE TO OPERATORS

Even if your warning system is operating properly, it may not be completely effective. People may not hear or heed your warning signal. You must recognize this fact and ensure that your warning signal achieves its intended effect through proper test/training sequences within your specific application(s).

V. MAINTENANCE.

SAFETY MESSAGE TO MAINTENANCE PERSONNEL

Failure to follow all safety precautions and instructions may result in property damage, serious injury, or death to you or others.

- Read and understand all instructions before performing maintenance on this unit.
- Do not perform maintenance on this unit when circuits are energized.
- Periodic checks should be made to ensure that effectiveness of this device has not been reduced because speaker has become clogged with a foreign substance or because objects have been placed in front of the speaker.
- Any maintenance to this unit **MUST** be performed by a trained electrician in accordance with NEC guidelines and local codes.
- Never alter this unit in any manner. Safety in hazardous locations may be jeopardized if additional openings or alterations are made to this device.
- The nameplates, which contain cautionary or other information of importance to maintenance personnel, should not be obscured if exterior of device is painted.



Effectiveness of explosion-proof enclosure must be maintained. Use caution to avoid damaging machined surfaces.



EXPLOSION HAZARD

Substitution of components may impair suitability for Class I, Division 2, and Class I, Zone 2.

- A. Periodically check this device to verify that there are no foreign substances in, or in front of, the speaker, which will reduce its effectiveness.
- B. Testing should be periodically performed. Refer to NFPA 720, local Fire Codes and the authority having jurisdiction for information.
- C. In the event a volume adjustment or other repair is required, be sure to refer to the Safety Message For Maintenance Personnel before proceeding.

VI. SERVICE.

Unauthorized repair/servicing of the unit may result in degradation of performance and/or property damage, serious injury, or death to you or others. If a malfunctioning unit is encountered, do not attempt any field repair/retrofit of parts.

Federal Signal will service your equipment or provide technical assistance with any problems that cannot be handled locally.

Any units returned to Federal Signal for service, inspection, or repair must be accompanied by a Return Material Authorization. This R.M.A. can be obtained from the local Distributor or Manufacturer's Representative.

At this time a brief explanation of the service requested or the nature of the malfunction should be given.

Address all communications and shipments to:

FEDERAL SIGNAL CORPORATION
Electrical Products Division
Service Department
2645 Federal Signal Drive
University Park, IL 60466-3195

**INSTRUCCIONES PARA LA INSTALACIÓN
DEL
ALTAVOZ A PRUEBA DE EXPLOSIONES MODELO AM300X AUDIOMASTER**



Si no se siguen todas las precauciones e instrucciones de seguridad pueden ocurrir daños a la propiedad y causar lesiones graves o mortales a usted o a otras personas.

 MENSAJE DE SEGURIDAD PARA LOS INSTALADORES

La vida de personas depende de la instalación segura de nuestros productos. Es importante seguir todas las instrucciones que vienen con estos productos. Este dispositivo debe ser instalado por un electricista capacitado que conozca perfectamente el Código Eléctrico Nacional y siga todas las Directrices del Código NEC así como los códigos locales.

La selección del lugar de montaje para el dispositivo, sus controles y la distribución del cableado debe realizarse bajo la dirección del ingeniero de planta y el ingeniero de seguridad. Además, a continuación indicamos algunas otras instrucciones importantes y precauciones de seguridad que debe seguir:

- Lea y comprenda todas las instrucciones antes de instalar o poner a funcionar este equipo.
- Esta unidad debe ser instalada por un electricista preparado en conformidad con los Códigos Nacionales y locales Eléctricos y de Incendio y bajo la dirección de la autoridad a la que corresponda la jurisdicción.
- No conecte esta unidad al sistema mientras esté recibiendo energía eléctrica.
- Todos los altavoces eficaces de alarma producen sonidos fuertes, que en ciertas situaciones pueden causar la pérdida permanente de la audición. Tome las precauciones apropiadas tales como usar protección para los oídos.
- Después de la instalación, pruebe el sistema de sonido para asegurarse de que funcione correctamente.
- Todos los altavoces eficaces de alarma producen sonidos fuertes que en ciertas situaciones pueden causar la pérdida permanente de la audición. Este dispositivo debe instalarse a una distancia que evite la exposición de las personas al sonido fuerte sin que se pierda su eficacia. El Código de Reglamentos Federales de la OSHA en su Norma sobre ruidos 1910.95 estipula las directrices que pueden aplicarse respecto a los niveles admisibles de exposición al ruido.
- Muestre estas instrucciones a su ingeniero de seguridad y luego archívelas en un lugar seguro y consúltelas cuando esté haciendo mantenimiento o reinstalando la unidad.
- Después de la instalación y la prueba inicial del sistema, se debe establecer un programa de pruebas periódicas para este dispositivo. Consulte los Códigos locales de incendio NFPA 72G y a las autoridades competentes sobre esta información.
- Consulte a las autoridades competentes en su área sobre el uso y la instalación correcta de este producto.

I. GENERAL.

El modelo AudioMaster AM300X es un altavoz de 25 Wrms y 70 Wrms con salida de energía seleccionable (1, 2, 7 ó 15 vatios), clasificado para uso bajo techo y al aire libre en lugares de alto riesgo con alarmas de incendio y sistemas de señalización general tales como el sistema SelectTone de Federal Signal. Este modelo es apropiado para ser usado en áreas con niveles de ruido ambiental altos. Está diseñado para reproducir tonos de alerta generados electrónicamente, con reconocimiento rápido de comandos y gama completa de comunicación de voz. Se proporciona un soporte de montaje para permitir su posicionamiento y obtener la cobertura de sonido deseada.

II. ESPECIFICACIONES.

Voltaje de operación:	25 wrms o 70 wrms
Entrada de energía (seleccionable):	1 vatio, 2 vatios, 7 vatios y 15 vatios
Voltaje de supervisión máximo:	50VDC
Peso (aprox.):	7,1 kg (15,7 lbs)
Tamaño:	414mm (16,3 pulg) de largo, 432mm (17,0 pulg) de alto, 333mm (13,1 pulg) de ancho
Construcción:	Caja de aluminio y soporte de montaje ajustable de acero con un acabado de poliéster
Respuesta de frecuencia	
Voz:	800 - 3.150 Hz
Tono:	400 - 4.000 Hz
Lista de Agencias Aprobatorias:	Consulte la placa de identificación del producto
La información de audibilidad se muestra en la Tabla 1.	

III. INSTALACIÓN.

A. Desembalaje

Después de desembalar el altavoz, revíselo cuidadosamente para detectar cualquier daño que pueda haber ocurrido durante su transporte. Si el equipo está dañado, presente inmediatamente una reclamación ante el transportista indicando la extensión de los daños. Revise cuidadosamente todas las etiquetas de envío y rótulos para ver si hay alguna instrucción especial antes de retirarlos o destruirlos.

B. Distribución del montaje.

Estos altavoces se pueden montar en cualquier superficie relativamente plana que pueda soportar el peso del altavoz. Las conexiones del conducto se pueden hacer en los agujeros roscados NPT de 1/2 pulg en el fondo de la caja (vea la figura 2).

ADVERTENCIA

Pueden ocurrir daños a la propiedad o lesiones graves o mortales si se acumula agua, nieve, polvo, etc. en el proyector del altavoz, reduciendo significativamente o impidiendo la operación de este dispositivo. Monte la unidad de tal manera que el proyector del altavoz se oriente horizontalmente o un poco hacia abajo.

1. Quite los dos tornillos de cabeza hexagonal de 1/2 pulg-13, las arandelas planas y las arandelas de presión que aseguran el soporte de montaje a la unidad. Quite el cordón del anillo de pasador en el soporte de montaje.

2. Seleccione el lugar de montaje.

⚠ ADVERTENCIA

Pueden ocurrir daños a la propiedad o lesiones graves o mortales si hay algún objeto delante del altavoz, reduciendo significativamente la distribución óptima del sonido. Para obtener una mayor efectividad, asegúrese de que no hay ninguna obstrucción delante del altavoz.

3. Trace marcas de posición para taladrar en la superficie de montaje usando el soporte de montaje como plantilla. Vea la Figura 1 para obtener las ubicaciones y dimensiones de los agujeros de montaje.

⚠ PRECAUCIÓN

Antes de perforar los agujeros, asegúrese de que no hay nada que se pueda dañar en los dos lados de la superficie.

4. Perfore los agujeros en las marcas de posición que trazó para acomodar los tornillos de 1/2 pulg de diámetro.

5. Sujete el soporte a la superficie de montaje con tornillos de 1/2 pulg de diámetro apropiados para el tipo de material de la superficie de montaje.

⚠ ADVERTENCIA

Pueden ocurrir daños a la propiedad o lesiones graves o mortales si se dañan las superficies maquinadas selladas de este producto. Para mantener la efectividad a prueba de explosiones de la caja, evite dañar las superficies maquinadas selladas de la cubierta y la caja.

6. Sujete de nuevo la unidad al soporte de montaje con los dos tornillos de cabeza hexagonal de 1/2 pulg-13, las arandelas planas y las arandelas de presión que quitó anteriormente. Coloque el altavoz de manera que obtenga la cobertura de sonido deseada y luego apriete los tornillos firmemente.

7. Sujete de nuevo el cordón al anillo de pasador y al soporte de montaje. Revise la unidad para asegurarse de que está sujeta firmemente a la cubierta y al soporte de montaje. Afloje y quite la cubierta enroscada girándola hacia la izquierda. Deje que la cubierta quede suspendida del cordón.

8. Pase los cables por los agujeros roscados NPT de 1/2 pulg en la caja, en conformidad con los Códigos Nacionales y locales Eléctricos y de Incendio. El tamaño de los cables depende de la corriente que se está utilizando y la distancia a la fuente de energía.

9. Antes de instalar de nuevo la cubierta de la caja, lea el párrafo C, en la sección III, CONEXIONES ELÉCTRICAS que se encuentra a continuación y haga las conexiones necesarias.

C. Conexiones eléctricas

⚠ PELIGRO

Para evitar una descarga eléctrica, no conecte los cables cuando el sistema está energizado.

NOTA

Los cables de audio deben ser cortados a la medida apropiada por el electricista aprobado para instalaciones para su aplicación de servicio. Este cable requiere un par trenzado blindado con un mínimo de 18 AWG y no debe producir más de 15% de pérdida de señal a lo largo del cable.

Debe cumplir con los Códigos Eléctricos Nacionales como también con los códigos locales cuando esté instalando estos modelos. Todos los cables eléctricos debe tenderse por un conducto aprobado y usando los conectores aprobados para instalaciones a prueba de explosiones.

1. Conecte los conductores comunes (-) al terminal común del altavoz (marcado COM) y los terminales de audio positivos (+) a el terminal de vatiaje deseado (vea figuras 2 y 3).

ADVERTENCIA

NO se debe enrollar una porción no aislada de un mismo conductor alrededor de un terminal para usarlo como dos conexiones separadas. NFPA 72 exige que se usen cables separados para proporcionar control eléctrico de la conexión.

2. Usando el cable de puente suministrado, conecte un extremo del cable de puente al terminal marcado como el voltaje de operación apropiado (vea la Figura 3). Conecte el otro extremo al terminal marcado "SPK".
3. Instale de nuevo cuidadosamente la cubierta de la caja y apriétela hasta que la pestaña de la cubierta haga contacto con la caja Apriete el tornillo de ajuste de la cubierta para ajustarla. Revise que los tornillos de montaje están apretados firmemente.

ADVERTENCIA

Pueden ocurrir daños a la propiedad o lesiones graves o mortales si no se cierra correctamente la caja. Para disminuir la posibilidad de una explosión, la cubierta de la caja debe mantenerse ajustada mientras el sistema está energizado.

IV. PRUEBA / OPERACIÓN.

ADVERTENCIA

Bajo ciertas condiciones, estos dispositivos tienen la capacidad de producir sonidos lo suficientemente fuertes para causar daños al oído. Debe usar protección adecuada para los oídos si está cerca del dispositivo mientras se está probando. No se deben exceder las recomendaciones especificadas en la Norma de nivel de sonido (29 CFR 1910) de OSHA.

- A. Después de completar la instalación, asegúrese de probar el sistema para verificar que cada altavoz está funcionando correctamente. Si la unidad produce sonidos muy fuertes para el lugar donde está ubicada, se puede seleccionar un terminal de bajo vatiaje. Quite con cuidado la cubierta de la caja y coloque el conductor positivo (+) en un terminal de bajo vatiaje (vea la figura 3). Instale de nuevo la cubierta de la caja y vuelva a probarla.

ADVERTENCIA

Pueden ocurrir daños a la propiedad o lesiones graves o mortales si no se cierra correctamente la caja. Para disminuir la posibilidad de una explosión, la cubierta de la caja debe mantenerse ajustada mientras el sistema está energizado.

B. Después de la prueba inicial del sistema, se debe establecer un programa de pruebas periódicas para este dispositivo. Consulte los Códigos locales de incendio NFPA 72G y a las autoridades competentes sobre esta información.

C. Entregue una copia de estas instrucciones al ingeniero de seguridad, a los operadores del sistema y al personal de mantenimiento.

MENSAJE DE SEGURIDAD PARA LOS OPERADORES

Aunque su sistema de advertencia esté funcionando correctamente, es posible que no sea completamente efectivo. Es posible que las personas no escuchen ni hagan caso de su señal de advertencia. Debe reconocer este hecho y asegurarse de que su señal de advertencia cumple el efecto deseado realizando secuencias de pruebas y de entrenamiento para sus aplicaciones específicas.

V. MANTENIMIENTO.

MENSAJE DE SEGURIDAD PARA EL PERSONAL DE MANTENIMIENTO

Si no se siguen todas las precauciones e instrucciones de seguridad pueden ocurrir daños a la propiedad y causar lesiones graves o mortales a usted o a otras personas.

- Lea y comprenda todas las instrucciones antes de realizar trabajos de mantenimiento en esta unidad.
- No realice trabajos de mantenimiento en este dispositivo mientras el sistema está energizado.
- Se deben hacer revisiones periódicas para asegurar que la efectividad del dispositivo no ha disminuido debido a obstrucciones en el altavoz causadas por sustancias extrañas o por objetos colocados delante del altavoz.
- Todas las tareas de mantenimiento DEBEN ser realizadas por un electricista capacitado conforme a las directrices del Código NEC y los códigos locales.
- Nunca altere esta unidad de ninguna manera. La seguridad en las áreas de alto riesgo puede ponerse en peligro si se añaden agujeros o se hacen alteraciones a este dispositivo
- Las placas de identificación, que pueden contener precauciones o información de importancia para el personal de mantenimiento, no se deben cubrir con pintura cuando se pinta el exterior del dispositivo.

ADVERTENCIA

Se debe mantener la efectividad a prueba de explosiones de la caja. Evite dañar las superficies maquinadas.



PELIGRO DE EXPLOSIÓN

La sustitución de componentes puede deteriorar la idoneidad para Clase I, División 2 y Clase I, Zona 2.

- A. Revise periódicamente el dispositivo para verificar que no hay sustancias exteriores dentro o en la parte delantera del altavoz, lo cual reducirá su efectividad.
- B. Se deben realizar pruebas periódicamente. Consulte los Códigos locales de incendio NFPA 720 y las autoridades competentes sobre esta información.
- C. Si se necesita hacer un ajuste del volumen o una reparación, asegúrese de consultar Mensajes de Seguridad Para el Personal de Mantenimiento antes de proceder.

VI. SERVICIO.



Si se hacen trabajos de mantenimiento y reparación que no están autorizados, puede ocasionar degradación del rendimiento de la unidad, daños a la propiedad y lesiones graves o mortales a usted o a otras personas. Si tiene una unidad averiada, no intente reparar ninguna de las piezas.

Federal Signal reparará su equipo o le prestará asistencia técnica con cualquier problema que no pueda corregirse localmente.

Todas las unidades devueltas a Federal Signal para su mantenimiento, inspección o reparación deben venir acompañadas de una Autorización de Devolución de Materiales (RMA, por sus siglas en inglés). Esta R.M.A. (Autorización de Devolución de Materiales) puede obtenerse de su distribuidor local o del representante del fabricante.

En ese momento se le pedirá una breve explicación del servicio solicitado o la naturaleza del desperfecto.

Dirija toda su correspondencia y todos sus envíos a:

FEDERAL SIGNAL CORPORATION
Electrical Products Division
Service Department
2645 Federal Signal Drive
University Park, IL 60466-3195

**CONSIGNES POUR L'INSTALLATION
DU
HAUT-PARLEUR ANTIDÉFLAGRANT AUDIOMASTER MODÈLE AM300X**

 AVERTISSEMENT

Le non respect de toutes les mesures et consignes de sécurité pourrait entraîner des dommages aux biens, de sérieuses blessures ou la mort pour vous ou d'autres

 MESSAGE DE SÉCURITÉ POUR LES INSTALLATEURS

La vie de personnes dépend de l'installation sans danger que vous faites de nos produits. Il est important de suivre toutes les consignes jointes aux produits. Un électricien d'expérience tout à fait familier avec le code électrique national (NEC) devra en suivre les directives ainsi que celles des codes locaux pour installer cet appareil.

Le choix de l'emplacement pour monter l'appareil, de ses commandes et du chemin de câblage se fera sous la direction de l'ingénieur des installations et de l'ingénieurs de sécurité. De plus, sont énumérées ci dessous quelques autres consignes et mesures de sécurité importantes à suivre.

- Lire et comprendre toutes les consignes avant d'installer ou de faire fonctionner cet équipement.
- Un électricien qualifié doit installer cette unité conformément aux codes électriques national et local et au code des incendies sous la direction de l'autorité ayant juridiction.
- Ne pas brancher cette unité au système quand celui-ci est sous tension.
- Tous les haut-parleurs d'avertissement efficaces produisent des sons puissants qui, dans certaines situations, peuvent causer une perte auditive permanente. Vous devez prendre des précautions adéquates comme le port d'une protection auditive.
- Après l'installation, essayer le système de son pour s'assurer de son bon fonctionnement.
- Tous les haut-parleurs d'avertissement efficaces produisent des sons puissants qui, dans certaines situations, peuvent causer une perte auditive permanente. Il faut installer cet appareil assez loin des auditeurs potentiels pour limiter leur exposition tout en maintenant son efficacité. Le code des règlements fédéraux 1910.95 sur la norme de niveau de bruit de l'OSHA (Administration américaine de la santé et de la sécurité au travail) fournit des directives concernant les niveaux permisibles d'exposition au bruit.
- Montrer ces consignes à votre ingénieur en sécurité puis les ranger dans un endroit sûr et s'y reporter pour l'entretien ou la réinstallation de l'unité.
- Après l'installation et l'exécution d'un premier essai du système, il faut établir un programme d'essai périodique de cet appareil. Se reporter à la norme 72G de la NFPA (Agence américaine de la protection des incendies), aux codes locaux des incendies et à l'autorité ayant juridiction pour ces renseignements.
- Consulter l'autorité ayant juridiction dans votre région relativement aux bonnes utilisation et installation de ce produit.

I. GÉNÉRALITÉS.

Le modèle AudioMaster AM300X est un haut-parleur de 25 vrms et 70 vrms, à usage intérieur et extérieur, à puissance de sortie variable (1, 2, ou 7 watts), pour emplacements dangereux, pour être utilisé dans les systèmes d'avertisseurs d'incendie et de signalisation générale comme le système Selec Tone de Federal Signal. Ce modèle est compatible pour un usage dans des zones avec des niveaux élevés de bruits ambiants. Il est conçu pour reproduire des tonalités d'avertissement générées électroniquement qui commandent une reconnaissance rapide et une communication vocale à gamme étendue. Un support de fixation ajustable fourni permet le positionnement pour la couverture de son désirée.

II. SPÉCIFICATIONS.

Tension de fonctionnement :	25 vrms ou 70 vrms
Puissance d'entrée (variable) :	1W, 2W, 7W et 15W
Tension maximale de surveillance :	50 V CC
Poids (approx.) :	7,1 kg (15,7 lb)
Dimensions :	414 mm (16,3 po) de long , 432 mm (17 po) de haut, 333 mm (13,1 po) de large
Construction :	Enceinte d'aluminium et support de fixation ajustable en acier avec un fini à revêtement en poudre
Distorsion de fréquence	
Voix :	800 - 3150Hz
Tonalité :	400 - 4000Hz
Listes d'homologation :	Plaque signalétique de référence du produit

Le tableau 1 montre les renseignements sur l'audibilité

III. INSTALLATION.

A. Déballage.

Après avoir déballé le haut-parleur, vérifier soigneusement s'il a été endommagé lors du transport. Si l'équipement a été endommagé, faire immédiatement au transporteur une réclamation déclarant l'étendue des dommages. Examiner soigneusement toutes les étiquettes d'expédition et de consignes particulières avant de les enlever ou de les détruire.

B. Dispositions de fixation.

Le haut-parleur peut être fixé sur une surface relativement plane capable de supporter son poids. Les conduit de câbles peuvent être raccordés aux ouvertures taraudées NPT de 1/2 po à la base du boîtier (voir figure 2)

⚠ AVERTISSEMENT

Il pourrait arriver des dommages aux biens, des blessures sérieuses ou la mort si de l'eau, de la neige, de la poussière, etc., s'accumulent dans le cornet du haut parleur, réduisant gravement ou empêchant le fonctionnement de cet appareil. Fixer l'unité pour que le cornet du haut-parleur soit dirigé horizontalement ou légèrement vers le bas.

1. Retirer les deux boulons à tête hexagonale de 1/2 po-13, les rondelles plates et les rondelles frein qui fixent le support de fixation à l'unité. Détacher le cordon du support de fixation à l'anneau de la goupille.

2. Choisir l'emplacement de la fixation.

AVERTISSEMENT

Il pourrait arriver des dommages aux biens, des blessures sérieuses ou la mort si des objets se trouvent devant le haut-parleur, réduisant gravement la répartition optimale du son. Pour une efficacité maximale, faire en sorte qu'il n'y ait aucune obstruction à l'avant du haut-parleur.

3. À l'aide du support de fixation comme gabarit, marquer la position des trous à percer sur la surface de fixation. Voir la figure 1 pour l'emplacement des trous de fixation et leurs dimensions.

ATTENTION

Avant de percer des trous sur une surface, s'assurer que ses deux faces sont exemptes de quoi que ce soit qui pourrait être endommagé.

4. Percer des trous aux emplacements marqués précédemment pour pouvoir poser des vis de 1/2 po de diamètre.

5. Fixer le support à la surface de fixation avec des vis d'1/2 po de diamètre appropriées au type de matériau de cette surface.

AVERTISSEMENT

Il pourrait arriver des dommages aux biens, des blessures sérieuses ou la mort si les surfaces de scellement usinées du produit sont endommagées. Pour maintenir l'efficacité de l'enceinte antidéflagrante, faire attention à ne pas endommager les surfaces de scellement usinées du couvercle et du boîtier.

6. Rattacher l'unité à son support de fixation avec les deux boulons à tête hexagonale de 1/2 po-13, les rondelles plates et les rondelles frein retirés auparavant. Placer le haut-parleur de façon à obtenir la couverture sonore désirée.

7. Rattacher le cordon à l'anneau de goupille et au support de fixation. Vérifier qu'il est bien attaché au couvercle et au support de fixation. Dévisser le couvercle fileté dans le sens anti-horaire et le retirer. Laisser le couvercle pendre par le cordon attaché.

8. Passer les fils par les ouvertures taraudées NPT 1/2 po dans le boîtier conformément aux codes électriques national et locaux et ceux des incendies. Le calibre du fil dépend du courant de fonctionnement et de la distance de la source d'alimentation.

9. Avant de reposer le couvercle du boîtier, lire le paragraphe C, du chapitre III, Connexions électriques ci dessous et effectuer les connexions nécessaires.

C. Connexions électriques

DANGER

Pour éviter un choc électrique, ne pas connecter de fils quand les circuits sont sous tension.

NOTA

Votre électricien d'installation agréé doit choisir le bon calibre des fils audio pour votre application. Il faut un câble à paires torsadées blindées d'un calibre minimal de 18 AWG qui ne doit pas produire plus de 15 % de perte de signal sur la longueur de son parcours.

Il faut suivre le code électrique national ainsi que les codes locaux pour l'installation de ces modèles. Tout le câblage électrique doit passer par les conduits et les raccords homologués pour les installations antidéflagrantes

1. Connecter les conducteurs audio neutres (-) à la borne neutre du haut-parleur (identifiée COM) et les conducteurs audio positifs (+) à la tension de fonctionnement appropriée (voir figures 2 et 3).

AVERTISSEMENT

Une section non isolée d'un conducteur unique NE doit PAS être enroulée autour d'une borne et servir comme deux connexions séparées. La norme NFPA 72 exige que le fil soit coupé pour offrir une supervision électrique de la connexion.

2. Connecter une extrémité du fil de liaison fourni à la borne identifiée comme celle de la tension de fonctionnement appropriée (voir figure 3). Connecter l'autre extrémité à la borne identifiée « SPK ».

3. Reposer soigneusement le couvercle du boîtier et le visser jusqu'à ce que la bride du couvercle fasse contact avec le boîtier. Serrer la vis de blocage sur le couvercle pour bien le fixer. Vérifier que les boulons de fixation ont bien été serrés.

AVERTISSEMENT

Il pourrait arriver des dommages aux biens, des blessures sérieuses ou la mort si le boîtier n'est pas bien fermé. Pour réduire les possibilités d'explosion, il faut que le couvercle du boîtier soit bien fermé pendant la mise sous tension des circuits.

IV. ESSAIS / FONCTIONNEMENT

AVERTISSEMENT

Dans certaines situations, ces appareils sont capables de produire des sons suffisamment puissants pour causer une diminution de l'acuité auditive. Vous devez porter une protection auditive adéquate si vous êtes à proximité de l'appareil pendant les essais. Il ne faut pas dépasser les recommandations de la norme de niveau sonore (29 CFR 1910) de l'OSHA.

A. Une fois l'installation terminée, faire l'essai du système pour vérifier que chaque haut-parleur fonctionne de manière satisfaisante. Si l'unité est trop bruyante pour son emplacement, il faut choisir une prise d'une puissance inférieure. Retirer soigneusement le couvercle du boîtier et déplacer le conducteur positif (+) à une prise d'une puissance inférieure (voir figure 3). Reposer le couvercle du boîtier et refaire l'essai.

AVERTISSEMENT

Il pourrait arriver des dommages aux biens, des blessures sérieuses ou la mort si le boîtier n'est pas bien fermé. Pour réduire les possibilités d'explosion, il faut que le couvercle du boîtier soit bien fermé pendant la mise sous tension des circuits.

B. Une fois terminé le premier essai du système, il faut établir un programme d'essai périodique de cet appareil. Se reporter à la norme 72G de la NFPA (Agence américaine de la protection des incendies), aux codes locaux des incendies et à l'autorité ayant juridiction pour ces renseignements.

C. Fournir une copie de ces consignes à l'ingénieur de la sécurité, aux opérateurs du système et au personnel d'entretien.

MESSAGE DE SÉCURITÉ AUX OPÉRATEURS

Même si votre système fonctionne correctement, il pourrait ne pas être totalement efficace. Les gens pourraient ne pas entendre ou tenir compte du signal avertisseur. Vous devez reconnaître ce fait et vous assurez que votre signal avertisseur atteint son but par de séquences appropriées d'essais et de formation dans le cadre de vos applications spécifiques.

V. ENTRETIEN

MESSAGE DE SÉCURITÉ AU PERSONNEL D'ENTRETIEN

Le non respect de toutes les mesures et consignes de sécurité pourrait entraîner des dommages aux biens, de sérieuses blessures ou la mort pour vous ou d'autres

- Lire et comprendre toutes les consignes avant d'effectuer l'entretien de cette unité.
- effectuer l'entretien de cette unité quand les circuits sont sous tension.
- Il faut faire des vérifications périodiques pour s'assurer que l'efficacité de cet appareil n'a pas été réduite parce qu'une substance étrangère obstrue le haut-parleur ou que des objets ont été placés en devant celui-ci.
- Un électricien formé DOIT effectuer tout entretien de cette unité conformément aux directives du NEC et des codes locaux.
- Ne jamais modifier cette unité d'aucune façon. La sécurité des emplacements dangereux pourrait être compromise par des ouvertures supplémentaires ou des modifications faites à cet appareil.
- Si l'extérieur de l'appareil est peint, il ne faut pas masquer les plaques signalétiques qui comportent des avertissements et autres renseignements d'importance pour le personnel d'entretien.

AVERTISSEMENT

Il faut maintenir l'efficacité de l'enceinte anti-déflagrante. Soyez prudent pour éviter d'endommager les surfaces usinées

▲ AVERTISSEMENT
RISQUE D'EXPLOSION

La substitution de composants pourrait réduire la compatibilité avec la classe 1, division 2 et classe 1, zone 2.

A. Inspecter périodiquement cet appareil pour vérifier qu'il n'y a aucune substance étrangère dans ou devant le haut-parleur qui réduirait son efficacité.

B. Il faut effectuer périodiquement des essais. Se reporter à la norme NFPA 720, aux codes d'incendies locaux et à l'autorité ayant juridiction pour ces renseignements.

C. En cas d'ajustement de volume ou d'une autre réparation, assurez-vous de vous reporter au message de sécurité pour le personnel d'entretien avant de continuer.

VI. SERVICE.

▲ AVERTISSEMENT

Une réparation ou un dépannage non autorisés de cette unité pourrait entraîner une dégradation de la performance et/ou des dommages aux biens, de sérieuses blessures ou la mort pour vous ou d'autres. Si une unité présente un mauvais fonctionnement, ne pas essayer de réparer sur place ou de remplacer des pièces.

Federal Signal dépannera votre équipement et vous fournira de l'assistance technique pour tout problème qui ne peut être traité localement.

Toute unité retournée à Federal Signal pour dépannage, inspection ou réparation doit être accompagnée d'une autorisation de retour de matériel (RMA). Votre distributeur local ou un représentant du fabricant peut vous fournir cette RMA.

À ce moment-là, vous devrez donner une brève explication du service requis ou de la nature du mauvais fonctionnement.

Adresser toutes les communications et envois à :

Federal Signal Corporation
Electrolux Products Division
Service Department
2645 Federal Signal Drive
University Park, IL 60466-3195

Table 1.

Power Tap	UL Sound Level @ 10 ft [3m] dB(A) Per UL1480		Sound Level dB(A) @ 10 ft [3m] on axis	
	25Vrms	70Vrms	25Vrms	70Vrms
1 watt	88.9	88.9	97	97
2 watt	92.8	93.2	99	99
7 watt	95.5	95.9	102	102
15 watt	99.1	99.2	106	106

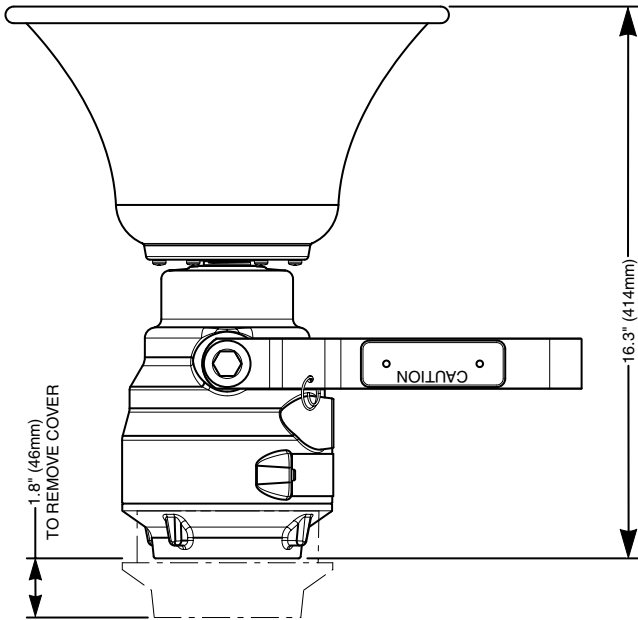
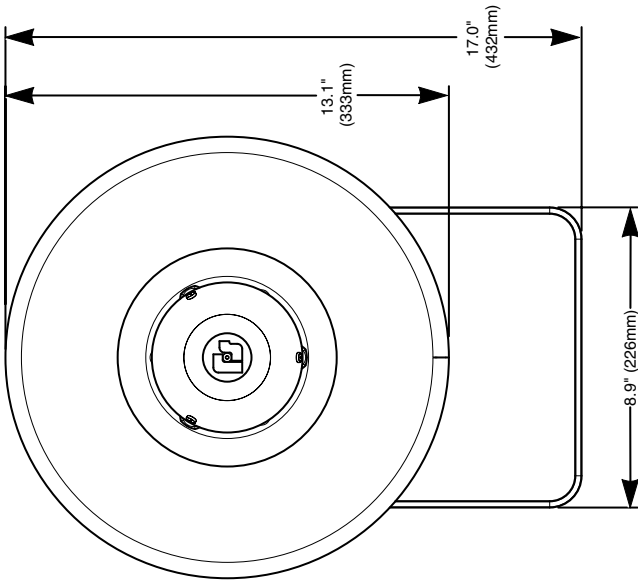
Tabla 1.

Terminal de energía	Nivel de sonido UL A 3m [10 pies] dB(A) según UL1480		Nivel de sonido dB(A) A 3m [10 pies] en el eje	
	25Vrms	70Vrms	25Vrms	70Vrms
1 watt	88.9	88.9	97	97
2 watt	92.8	93.2	99	99
7 watt	95.5	95.9	102	102
15 watt	99.1	99.2	106	106

Tableau 1.

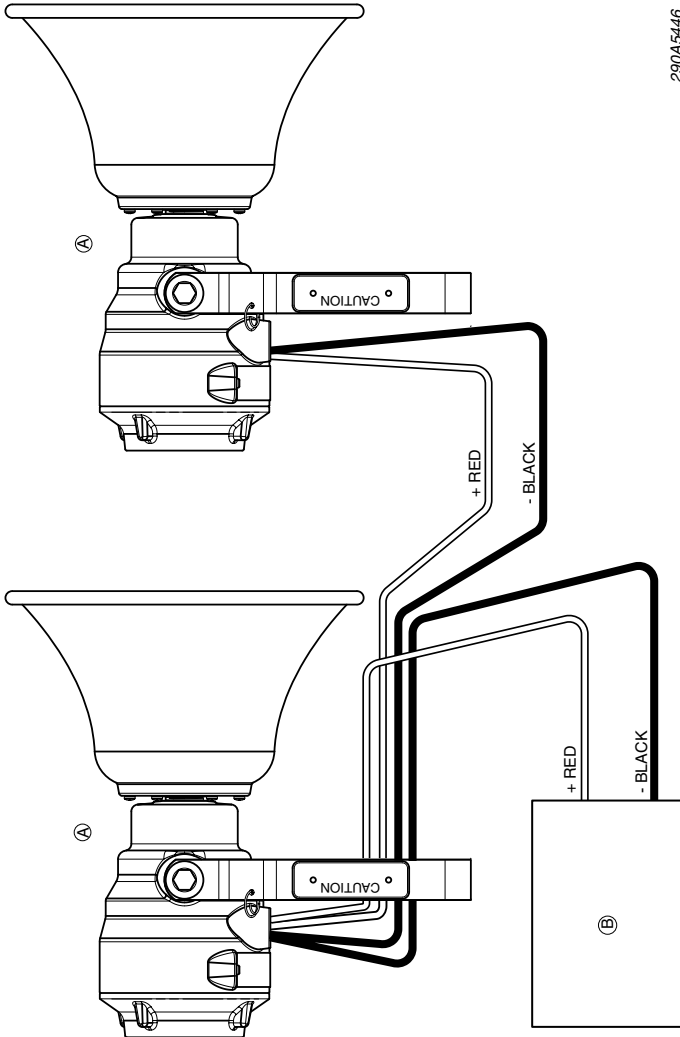
Prise d'alimentation	Niveau de son UL @ 10 pi [3m] dB(A) Par 1480 UL		Niveau de son dB(A) @ 10 pi [3m] sur l'axe	
	25Vrms	70Vrms	25Vrms	70Vrms
1 watt	88.9	88.9	97	97
2 watt	92.8	93.2	99	99
7 watt	95.5	95.9	102	102
15 watt	99.1	99.2	106	106

1



2

290A5446



English

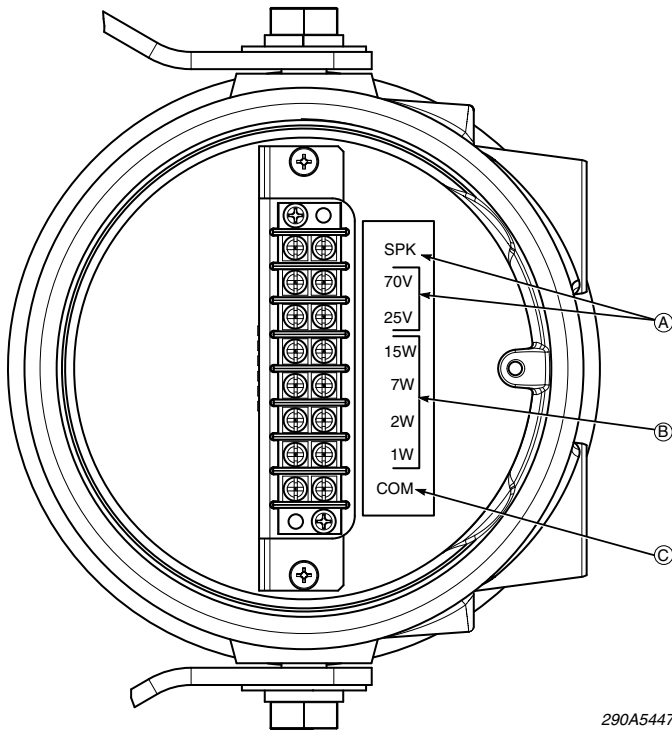
- A. Model AM300X
- B. 25 or 70Vrms Speaker signal source

Español

- A. Modelo AM300X
- B. Fuente de señal del altavoz de 25 ó 70Vrms

Français

- A. Modèle AM300X
- B. Source sonore du haut-parleur 25 ou 70 vrms Speaker signal source

3

290A5447

English

A. Connect jumper wire between the (SPK) terminal and the appropriate line voltage (25V or 70V), depending upon the external source voltage.

B. Connect audio positive (+) leads to desired wattage tap (1W, 2W, 7W, or 15W).

C. Connect audio common (-) leads to common terminal.

Français

A. Connecter le fil de liaison entre la borne (SPK) et la tension de secteur appropriée (25 V or 70 V), selon la tension de la source extérieure.

B. Connecter les conducteurs audio positifs (+) à la borne désirée de puissance (1 w, 2 w, 7 w ou 15 w).

C. Connecter les conducteurs audio neutre (-) à la borne neutre.

Español

A. Conecte el cable puente entre el terminal (SPK) y la línea de voltaje correcta (25 voltios o 70 voltios), dependiendo del voltaje de la fuente exterior.

B. Conecte los conductores de audio positivos (+) al terminal de bajo voltaje deseado (1 vatio, 2 vatios, 7 vatios o 15 vatios).

C. Conecte los conductores de audio comunes (-) al terminal común.