



FEDERAL SIGNAL

Safety and Security Systems / Industrial

Advancing security and well-being.

MODELS AM15 and AM15XD2

**INSTALLATION INSTRUCTIONS FOR MODEL AM15 AND AM15XD2
AUDIOMASTER® SPEAKER**

MODELOS AM15 y AM15XD2

**INSTRUCCIONES DE INSTALACIÓN PARA LOS PARLANTE
MODELOS AM15 Y AM15XD2 AUDIOMASTER®**

MODÈLES AM15 et AM15XD2

**INSTRUCTIONS D'INSTALLATION POUR LE HAUT-PARLEUR
AUDIOMASTER® MODÈLES AM15 ET AM15XD2**

2561540D

REV. D 608

Printed in U.S.A.

**INSTALLATION INSTRUCTIONS FOR MODEL AM15 AND AM15XD2
AUDIOMASTER® SPEAKER**

▲WARNING

Failure to follow all safety precautions and instructions may result in property damage, serious injury, or death to you or others.

▲ SAFETY MESSAGE TO INSTALLERS

Peoples lives depend on your safe installation of our products. It is important to follow all instructions shipped with the products. This device is to be installed by a trained electrician who is thoroughly familiar with the National Electric Code and will follow the NEC guidelines as well as local codes.

The selection of the mounting location for the device, its controls and routing of the wiring is to be accomplished under the direction of the Facilities Engineer and the Safety Engineer. In addition, listed below are some other important safety instructions and precautions you should follow:

- Read and understand all instructions before installing or operating this equipment.
- This unit must be installed by a qualified electrician in accordance with NFPA 72, and National and local Electrical and Fire Codes, under the direction of the authority having jurisdiction.
- Do not connect this unit to the system when power is on.
- All effective warning speakers produce loud sounds which may cause , in certain situations, permanent hearing loss. You should take appropriate precautions such as wearing hearing protection.
- After installation, test the sound system to ensure proper operation.
- All effective warning speakers produce loud sounds, which may cause, in certain situations, permanent hearing loss. The device should be installed far enough away from potential listeners to limit their exposure while still maintaining its effectiveness. The OSHA Code of Federal Regulations 1910.95 Noise Standard provides guidelines which may be used regarding permissible noise exposure levels.
- Show these instructions to your Safety Engineer and then file them in a safe place and refer to them when maintaining and/or reinstalling the unit.
- After installation and completion of initial system test, a program of periodic testing of this device must be established. Refer to NFPA 72G, local Fire Codes and the authority having jurisdiction for this information.
- Consult the authority having jurisdiction in your area regarding the proper use and installation of this product.

I. GENERAL.

The AudioMaster Model AM15 and AM15XD2 are indoor/outdoor rated, 15 watt power output (8 ohm) loudspeakers for use with general signaling systems such as Federal Signal's FS.COMMS™ or SelectFone® systems. They are designed to reproduce full range voice communication. They are suitable for use in areas with high ambient noise levels. The speaker projector is adjustable and may be repositioned to obtain desired sound distribution.

The AM15XD2 is suitable for use in Class I, Division 2, Groups A, B, C, and D; and Class II, Division 2, Groups F and G; Class III or non-hazardous locations only.

▲WARNING

Explosion Hazard- substitution of components may impair suitability for Class I, Division 2.

II. SPECIFICATIONS.

Operating Voltage	11 Vrms max
Power Input (selectable)	15 W max
Weight (approx.)	5 lb. (2.25kg)
Impedance	8-ohm
Size	12-5/8" (320mm) high, 8-1/8" (206mm) wide, 8-1/4" (209mm) deep.
Construction	Aluminum enclosure painted with grey enamel.
Amplifier housing sealed with neoprene rubber gasket.	

III. INSTALLATION.

A. Unpacking.

After unpacking the speaker, examine it carefully for possible damage that may have occurred in transit. If equipment has been damaged, immediately file a claim with the carrier stating extent of damage. Carefully check all shipping labels and tags for special instructions before removing or destroying them.

B. Mounting Arrangements (See figure 1).

▲CAUTION

To maintain the hazardous location rating of the Model AM15XD2, do not use the 7/8" knockout (concealed conduit mounting).

The speaker can be mounted on any relatively flat surface. Conduit connection can be made to 1/2" threaded opening at bottom of housing or, in the case of the AM15, to 7/8" knockout in rear of housing. After the mounting location and mounting method have been selected, proceed with the applicable instructions below.

▲WARNING

Property damage, serious injury, or death could occur if an accumulation of water, snow, dust, etc. resides in the speaker projector, severely reducing or preventing operation of this device.

Mount the unit so speaker projector is pointed horizontally or slightly downward.

1. Flat Surface Mounting.

- a. Remove and retain the two screws that secure cover to housing. Remove the cover.

▲WARNING

Property damage, serious injury, or death could occur if any objects are in front of speaker, severely reducing optimum sound distribution. For maximum effectiveness, ensure that the front of the speaker is clear of obstructions.

- b. Select the mounting location and place rear of housing against mounting surface.
- c. Using the mounting holes (two (2) inside the Model AM15's housing or four (4) in the AM15XD2's external mounting bracket) as a template, scribe drill position marks on the mounting surface. See figure 1 for mounting hole locations and dimensions.

▲CAUTION

Before drilling holes in any surface, ensure that both sides of surface are clear of items that could be damaged.

- d. Secure the unit to the mounting surface with #10 screws appropriate for the type of mounting surface material.

▲WARNING

Property damage, serious injury or death could occur if the projector is mishandled during installation or over time. **DO NOT** rotate the projector more than 180 degrees or internal speaker wiring may be damaged.

- e. Reposition speaker projector if necessary to obtain desired sound coverage.

Loosen collar nut (see figure 1) and move projector to desired position.

- f. Before reinstalling the housing cover, read paragraph III.C. Electrical Connections below and make the necessary electrical connections.

2. Model AM15 Concealed Conduit Mounting.

- a. Remove and retain the two screws that secure cover to housing. Remove the cover.
- b. Remove the 7/8" knockout at rear of housing.
- c. Install the conduit connection.
- d. Select the mounting location and place rear of housing against mounting surface.
- e. Using the two (2) mounting holes as a template, scribe drill position marks on the mounting surface. See figure 1 for mounting hole locations and dimensions.

▲ CAUTION

Before drilling holes in any surface, ensure that both sides of surface are clear of items that could be damaged.

- f. Secure the unit to the mounting surface with #10 screws appropriate for the type of mounting surface material.

▲ WARNING

Property damage, serious injury or death could occur if the projector is mishandled during installation or over time. **DO NOT** rotate the projector more than 180 degrees or internal speaker wiring may be damaged.

- g. Reposition speaker projector if necessary to obtain desired sound coverage.

Loosen collar nut (see figure 1) and move projector to desired position.

- h. Before reinstalling the housing cover, read paragraph III.C. Electrical Connections below and make the necessary electrical connections.

C. Electrical Connections.

▲ DANGER

To avoid electrical shock, do not connect wires when circuits are energized.

NOTE

Audio wires should be sized properly by your licensed installation electrician for your service application. This cable requires a twisted shielded pair with an 18AWG minimum and should produce no more than 15% signal loss over the length of the cable run.

National Electrical Code as well as local codes must be adhered to in installation of these models. All electrical wiring must be routed through approved conduit and fittings. The use of metal conduit and fittings is required to provide grounding of the enclosure.

- 1. See figures 2 and 3. Connect the audio common (-) leads to the speaker's common terminal and audio positive (+) leads to (+) (SIG) terminal.

▲ WARNING

Property damage, serious injury or death could occur if the housing is not closed properly.

To reduce the possibility of explosion, the Model AM15XD2's housing cover must be kept tight while circuits are energized.

2. Be sure the neoprene rubber cover gasket is properly seated in the housing groove and re-install housing cover.

IV. TESTING/OPERATING.



Under certain conditions these devices are capable of producing sounds loud enough to cause hearing damage. Adequate hearing protection should be worn if standing within close proximity to device while testing. Recommendations in the OSHA Sound Level Standard (29 CFR 1910) should not be exceeded.

- A. After installation is complete, be sure to test the system to verify that each speaker operates satisfactorily. If it is found that the unit is too loud for its location, adjust speaker volume level at the source.



Property damage, serious injury or death could occur if the housing is not closed properly.

To reduce the possibility of explosion, the Model AM15XD2's housing cover must be kept tight while circuits are energized.

- B. After completion of initial system test, establish a program for periodic testing of this device.
- C. Provide a copy of these instructions for the Safety Engineer, system operator(s) and maintenance personnel.

SAFETY MESSAGE TO OPERATORS

Even if your warning system is operating properly, it may not be completely effective.

People may not hear or heed your warning signal. You must recognize this fact and ensure that your warning signal achieves its intended effect through proper test/training sequences within your specific application(s).

V. MAINTENANCE.

SAFETY MESSAGE TO MAINTENANCE PERSONNEL

Failure to follow all safety precautions and instructions may result in property damage, serious injury, or death to you or others.

- Read and understand all instructions before performing maintenance on this unit.
 - To reduce the risk of electrical shock, or ignition of hazardous atmospheres, do not perform maintenance or service on this unit when circuits are energized.
 - Periodic checks should be made to ensure that effectiveness of this device has not been reduced because speaker has become clogged with a foreign substance or because objects have been placed in front of the speaker.
 - Any maintenance to this unit MUST be performed by a trained electrician in accordance with NEC guidelines and local codes.
 - Never alter this unit in any manner. Safety in hazardous locations may be jeopardized if additional openings or alterations are made to Model AM15XD2.
 - The nameplates, which contain cautionary or other information of importance to maintenance personnel, should not be obscured if exterior of device is painted.
- A. Periodically check this device to verify that there are no foreign substances in, or in front of, the speaker which will reduce its effectiveness.

- B. Testing should be periodically performed. Refer to NFPA 72G, local Fire Codes and the authority having jurisdiction for information.
- C. In the event a volume adjustment or other repair is required, be sure to refer to the Safety Message For Maintenance Personnel before proceeding.

VI. SERVICE.



Unauthorized repair/servicing of the unit may result in degradation of performance and/or property damage, serious injury, or death to you or others. If a malfunctioning unit is encountered, do not attempt any field repair/retrofit of parts.

Federal Signal will service your equipment or provide technical assistance with any problems that cannot be handled locally.

Any units returned to Federal Signal for service, inspection, or repair, must be accompanied by a Return Material Authorization. This R.M.A. can be obtained from the local Distributor or Manufacturer's Representative.

At this time a brief explanation of the service requested or the nature of the malfunction, should be given.

Address all communications and shipments to:

FEDERAL SIGNAL CORPORATION
Industrial Systems Division
Service Department
2645 Federal Signal Drive
University Park, IL 60466-3195

INSTRUCCIONES DE INSTALACION PARA LOS PARLANTE MODELOS AM15 Y AM15XD2 AUDIOMASTER®

PRECAUCION

El no seguir todas las instrucciones y precauciones de seguridad puede acarrear daños a la propiedad, heridas serias e incluso su muerte o la de otros.

MENSAJE DE SEGURIDAD A LOS INSTALADORES

La vida de personas depende de la instalación segura de nuestros productos. Es importante seguir todas las instrucciones empacadas con los productos. Este dispositivo lo debe instalar un electricista calificado que esté familiarizado con el Código Nacional Eléctrico y siga las normas así como los códigos locales.

La selección del sitio de montaje del dispositivo, sus controles y la ruta del alambrado, se hará bajo la dirección del Ingeniero de las facilidades y del Ingeniero de seguridad. Sin embargo, a continuación se listan algunas otras instrucciones y precauciones de seguridad que se deben seguir:

- Lea y comprenda todas las instrucciones antes de instalar u operar este equipo.
- Esta unidad debe ser instalada por un electricista calificado de acuerdo con el NFPA 72 y los códigos eléctricos y de incendio Nacionales y locales, bajo la dirección de la autoridad competente.
- No conecte esta unidad al sistema si está encendido.
- Todos los parlantes efectivos de prevención producen sonidos fuertes, que pueden causar en ciertas ocasiones, pérdida permanente del oído y se deben tomar las debidas precauciones tales como usar protectores auditivos.
- Después de instalado, asegúrese de que el sistema de sonido ofrece una operación apropiada.
- Todos los parlantes efectivos de prevención producen sonidos tan fuertes que pueden causar pérdida permanente del oído. El aparato debe ser instalado lo bastante lejos de los oyentes potenciales para limitar su exposición mientras mantenga su efectividad. El código OSHA 1910.95 (EEUU) de regulación Federal del ruido, da las guías que deben usarse para los niveles de exposición permisible al ruido.
- Enseñe estas instrucciones a su Ingeniero de Seguridad y después archívelas en un lugar seguro y consúltelas cuando le haga mantenimiento o reinstale la unidad.
- Después de la instalación y prueba inicial del sistema, programe pruebas periódicas de este aparato. Diríjase al NFPA 72G, los Códigos locales de incendio y la autoridad competente para obtener esta información.
- Consulte con la autoridad competente en su área, lo correspondiente al correcto uso e instalación de este producto.

I. GENERAL.

Los modelos AM15 y AM15XD2 de AudioMaster están clasificados para uso externo/interno. Tienen parlantes de 15 vatios de potencia de salida (8 ohmios) para utilizar con los sistemas de señalización generales como los sistemas SelectFone® o FS.COMMSTM de Federal Signal. Éstos están diseñados para reproducir comunicación de voz de alcance completo. Son adecuados para utilizar en áreas con niveles altos de ruido ambiental. El proyector del parlante se ajusta y se puede cambiar de posición para obtener la distribución de sonido deseada.

El AM15XD2 es apropiado para uso en la Clase I, División 2, Grupos A, B, C y D; Clase II División 2, Grupos F y G; Clase III o solamente en áreas no peligrosas..

PRECAUCION

Peligro de explosión- el reemplazo de los componentes puede dañar la capacidad para la Clase I, División 2.

II. ESPECIFICACIONES.

Voltaje de funcionamiento	11 voltios eficaces máx.
Potencia máxima aplicable	15 vatios máx.
Peso (aproximado)	5 libras (2,25 kg)
Impedancia	8 ohmios
Tamaño	302mm (alto), 206mm (ancho), 209mm (largo)
Construcción	Caja en aluminio pintada con esmalte gris. Caja del amplificador sellada con un empaque de neopreno.

III. INSTALACION.

A. Desempaque.

Después de desempacar la unidad, examine cuidadosamente si hay daños de transporte.

Si hubo daños, haga de inmediato un reclamo al transportador, estableciendo el monto del daño. Revise cuidadosamente todos los sellos de embarque y marquillas por instrucciones especiales antes de removerlos o destruirlos.

B. Arreglos de montaje (Ver figura 1).

PREVENCIÓN

Para mantener la clasificación de seguridad en áreas peligrosas del Modelo AM15XD2, no use el disco removible de 7/8" (montaje en conduit embebido).

El parlante puede ser montado en una superficie relativamente plana. Las conexiones de conduit pueden ser de rosca de 1/2" con entrada en la parte baja de la caja. También el Modelo AM15 puede ser montado por un disco removible al fondo de la caja. Después de que la localización de montaje y el método de montaje ha sido seleccionado, proceda con las instrucciones que se listan a continuación.

PRECAUCIÓN

Daños a la propiedad, heridas serias o la muerte podrían ocurrir si se presenta una acumulación de agua, nieve, polvo, etc en el parlante, lo que reduce severamente o evita la operación del dispositivo. Mantenga el parlante en posición horizontal o con una ligera inclinación hacia abajo.

1. Montaje en Superficie Plana.

- Afloje los 2 tornillos que aseguran la tapa de la caja. Retire la tapa.

PRECAUCIÓN

Daños a la propiedad, heridos graves o incluso su muerte o la de otros puede ocurrir si cualquier objeto está en frente del parlante, reduciendo severamente la distribución óptima del sonido.

Para mayor efectividad, asegúrese de que el frente del parlante esté despejado de cualquier obstáculo.

- Seleccione la localización de montaje y coloque la parte posterior de la caja contra la superficie de montaje.
- Usando los huecos de montaje (dos dentro de la caja del Modelo AM15 o 4 en el soporte de montaje del Modelo AM15XD2) como una plantilla, marque los puntos a perforar en la superficie de montaje. Vea la figura 1 para localización y dimensión de los huecos de montaje.

PREVENCIÓN

Antes de perforar los huecos en cualquier superficie, asegúrese de que ambos lados de la superficie están despejados de cualquier cosa que puede dañarse.

- d. Asegure la unidad a la superficie de montaje con tornillos #10 apropiados para el tipo de material de la superficie de montaje.

▲ PRECAUCION

Daños a la propiedad, heridas serias e incluso la muerte pueden ocurrir si el parlante es mal manejado durante la instalación o con el tiempo. NO rote el parlante más de 180° o el cableado interno del parlante sufrirá daños.

- e. Reposicione el parlante, si es necesario, para obtener la cobertura de sonido deseada. Afloje la tuerca (ver figura 1) y mueva el proyector a la posición deseada.
- f. Antes de reinstalar la tapa a la caja, lea el párrafo III. C las Conexiones Eléctricas que se listan abajo y haga todas las conexiones eléctricas necesarias.

2. Montaje en Conduit Embebido del Modelo AM15.

- a. Retire y conserve los dos tornillos que aseguran la tapa a la caja. Retire la tapa.
- b. Retire el disco variable de 7/8" de la parte posterior de la caja.
- c. Instale la conexión del conduit.
- d. Seleccione la localización de montaje y coloque la parte posterior de la caja contra la superficie de montaje.
- e. Use los dos huecos de montaje como una platina, marque los puntos a perforar en la superficie de montaje. Vea la figura 1 para las dimensiones y localización de los huecos de montaje.

▲ PRECAUCION

Antes de perforar los huecos en cualquier superficie, asegúrese de que ambos lados de la superficie están libres de cosas que se puedan dañar.

- f. Asegure la unidad a la superficie de montaje con tornillos #10 apropiados para el tipo de material de la superficie de montaje.

▲ PREVENCIÓN

Daños a la propiedad, heridas serias e incluso su muerte o la de otros pueden ocurrir si el proyector no se maneja adecuadamente durante la instalación o cualquier tiempo después. NO rote el proyector más de 180° o el cableado interno del parlante puede sufrir daños.

- g. Reposicione el proyector si es necesario para obtener la cobertura de sonido deseada. Afloje la tuerca (ver figura 1) y mueva el proyector a la posición deseada.
- h. Antes de reinstalar la tapa de la caja, lea el párrafo III.C, las conexiones eléctricas que se listan abajo y haga todas las conexiones eléctricas necesarias.

C. Conexiones Eléctricas.

▲ PELIGRO

Para evitar descargas eléctricas, no conecte cables cuando los circuitos estén energizados.

NOTA

Los cables de audio deben tener el tamaño correcto seleccionado por un electricista instalador autorizado para su aplicación de servicio. Este cable requiere un par trenzado blindado con un cable calibre 18AWG como mínimo y debe producir menos de 15% de pérdida de señal a lo largo del tramo del cable.

Durante la instalación de estos modelos, deben seguirse los Códigos Eléctricos Nacionales así como los locales. Todo el cableado debe hacerse a través de conduit y accesorios aprobados. Estos sería de metal si van a servir como tierra de la caja.

1. Vea las figuras 2 y 3. Conecte los conductores comunes (-) de audio al terminal común del altavoz y los conductores positivos (+) de audio al terminal (+) (SIG).

▲PREVENCION

Daños a la propiedad, heridas serias e incluso su muerte o la de otros puede ocurrir, si la caja no se cierra adecuadamente. Para reducir la posibilidad de explosión, la tapa de la caja del Modelo AM15XD2 se debe mantener bien cerrado mientras los circuitos estén energizados.

2. Asegúrese de que el empaque de neopreno de la caja está bien colocado en la ranura de la caja y reinstale la tapa de la caja.

IV. PRUEBA/OPERACION.

▲PRECAUCION

Bajo ciertas condiciones estos dispositivos son capaces de producir sonidos suficientemente fuertes como para causar daños auditivos. Se debe usar adecuada protección auditiva si se va a permanecer dentro de cierta proximidad al dispositivo cuando se está probando. Las recomendaciones de la OSHA (EEUU) con respeto a los Niveles Estándares de Ruido (29CFR 1910) no se deben exceder.

- A. Al terminar la instalación asegúrese de probar el sistema para verificar que cada altavoz funcione en forma satisfactoria. Si se determina que la unidad tiene un volumen demasiado alto para el lugar donde está ubicada, ajuste el nivel de volumen del altavoz en la fuente.

▲PRECAUCION

Daños a la propiedad, heridas serias o incluso su muerte o la de otros puede ocurrir si la caja no se cierra adecuadamente. Para reducir la posibilidad de explosión, la tapa de la caja del Modelo AM15XD2 se debe mantener bien cerrado mientras los circuitos están energizados.

- B. Después de terminar la prueba inicial del sistema, establezca un programa periódico de prueba de este dispositivo
- C. Provea una copia de estas instrucciones al Ingeniero de Seguridad, los operadores del sistema y el personal de mantenimiento.

▲ MENSAJE DE SEGURIDAD A LOS OPERADORES

Aún si su sistema está operando adecuadamente, el puede no ser completamente efectivo.

La gente puede no oír o atender su señal de alarma. Usted debe detectar este hecho y asegurarse de que la señal de alarma alcance el efecto deseado por pruebas o simulacros apropiados dentro de su aplicación específica.

V. MANTENIMIENTO.

▲ MENSAJE DE SEGURIDAD PARA EL PERSONAL DE MANTENIMIENTO

El no seguir todas las precauciones e instrucciones que se listan a continuación, puede resultar en daños a la propiedad, heridas serias e incluso su muerte o la de otros .

- Lea y comprenda todas las instrucciones antes de operar este equipo.
- Para reducir el riesgo de descarga eléctrica, o ignición de atmósferas peligrosas, no realice mantenimiento a esta unidad cuando los circuitos estén energizados.
- Se deben realizar pruebas periódicas para asegurar que la efectividad de este dispositivo no se ha reducido por que el parlante se bloquea con sustancias extrañas o hay objetos extraños delante del parlante.
- Cualquier mantenimiento a la unidad TIENE que ser hecho por un electricista entrenado de acuerdo con el NEC y los códigos locales.
- Nunca altere la unidad de manera alguna. La seguridad en sitios de alto riesgo puede ponerse en peligro si se adicionan agujeros o se hacen alteraciones al Modelo AM15XD2.

- La placa, que puede tener información de importancia o precauciones para el personal de mantenimiento, no se debiera cubrir con pintura si la carcasa exterior se pinta.
- A. Periódicamente revise este dispositivo para verificar que no hay sustancias extrañas dentro, o en frente, del parlante lo que reduce su efectividad.
- B. Se debe realizar una prueba periódica. Lea NFPA 72G, códigos locales de incendios o autoridad competente para suministrar esta información.
- C. En el evento de que se requiera un ajuste de volumen, o una reparación, antes de proceder diríjase al Mensaje de Seguridad para el Personal de Mantenimiento.

VI. SERVICIO.

 **PRECAUCION**

Reparación o servicio no autorizado de la unidad puede resultar en degradación del desempeño y/o daños a la propiedad, heridas graves e incluso su muerte o la de otros. Si se encuentra un mal funcionamiento de la unidad, no intente ninguna reparación en el sitio/o reutilizar partes usadas.

La Federal Signal Corporation le hará servicio a su equipo o proveerá asistencia técnica a los problemas que no se puedan manejar localmente.

Cualquier unidad que se devuelva a Federal Signal para servicio, inspección o reparación, debe acompañarse de una autorización de “material devuelto” (R.M.A.). Esta R.M.A. se puede obtener con el representante o distribuidor local del fabricante y se adjuntará una breve explicación de la necesidad del servicio o la naturaleza del mal funcionamiento.

Dirija todas las comunicaciones y envíos a:

FEDERAL SIGNAL CORPORATION
Industrial Systems Division
Service Department
2645 Federal Signal Drive
University Park, IL 60466-3195

INSTRUCTIONS D'INSTALLATION POUR LE HAUT-PARLEUR AUDIOMASTER® MODÈLES AM15 ET AM15XD2

▲ AVERTISSEMENT

Le non-respect de toutes les précautions et instructions de sécurité peut résulter en dommages aux biens, en blessures graves ou mortelles pour vous ou d'autres.

▲ MESSAGE DE SÉCURITÉ AUX INSTALLATEURS

Ces vies humaines dépendent de votre installation de nos produits en sécurité. Il est important de lire, comprendre et suivre toutes les instructions expédiées avec ce produit. Ce dispositif doit être installé par un électricien professionnel qui est complètement au courant du Code Électrique National et respectera les recommandations NEC ainsi que les codes locaux.

Le choix de l'endroit de montage du dispositif, de ses commandes et du passage des câbles doit être effectué sous la direction de l'ingénieur des services électriques et de l'ingénieur de sécurité. De plus, sont énumérées ci-dessous quelques autres instructions et précautions de sécurité importantes que vous devez suivre:

- Lire et comprendre toutes les instructions avant d'installer ou d'utiliser ce matériel.
- Cet appareil doit être installé par un électricien professionnel conformément à NFPA 72, et aux codes électriques et incendie nationaux et locaux, sous la direction de l'autorité qui a la juridiction.
- Ne connectez pas cette unité au système si la tension est présente.
- Tous les haut-parleurs effectifs d'avertissement produisent des sons puissants qui peuvent causer dans certaines situations une perte permanente de l'ouïe. Vous devez prendre des précautions appropriées comme le port de protection de l'ouïe.
- Après installation, essayez le système de signalisation d'urgence pour vérifier que son fonctionnement est correct.
- Tous les haut-parleurs d'avertissement effectifs produisent des sons forts qui peuvent causer dans certaines situations la perte de l'ouïe. Le dispositif doit être installé suffisamment loin des auditeurs potentiels pour limiter leur exposition tout en maintenant son efficacité. Le code OSHA de Federal Regulations 1910.95 (Norme de bruit) donne des recommandations qui peuvent être utilisées concernant les niveaux d'exposition au bruit permis.
- Montrez ces instructions à votre ingénieur de sécurité puis classez-les dans un endroit sûr et référez-vous à elles lorsque vous entretenez ou réinstallez l'appareil.
- Après installation et fin du test initial du système, un programme d'essai périodique de ce dispositif doit être établi. Référez-vous à NFPA 72G, codes locaux d'incendie et à l'administration qui a la juridiction pour ces informations.
- Consultez l'administration qui a la juridiction dans votre zone concernant l'utilisation et l'installation correctes de ce produit.

I. GÉNÉRALITÉS

Les modèles AudioMaster AM15 et AM15XD2 sont d'une capacité nominale convenant pour l'intérieur et l'extérieur, les haut-parleurs d'une sortie de courant de 15 watts (8 ohms) à utiliser avec les systèmes généraux d'appel tels que les systèmes SelectFunc® et FS.COMMS™ de Federal Signal. Ils sont conçus pour reproduire la gamme complète de communication vocale. Ils conviennent pour les endroits aux niveaux élevés de bruits ambiants. Le projecteur de haut-parleur s'ajuste et peut être remplacé pour obtenir la diffusion de son désirée.

L'AM15XD2 convient seulement pour les endroits de classe I, division 2, groupes A, B, C, et D; de classe II, division 2, groupes F et G; classe III ou les endroits sans danger.

▲ AVERTISSEMENT

Risque d'explosion - La substitution de composants pourrait réduire la compatibilité avec la classe 1, division 2..

II. SPÉCIFICATIONS.

Tension de fonctionnement	11 Vrms max.
Puissance consommée	15 W max.
Poids (approx.)	5 lb (2,25 kg)
Impédance	8 ohms
Dimensions largeur x 8-1/4" (209 mm) de profondeur.	12-5/8" (320 mm) de hauteur x 8-1/8" (206 mm) de
Construction	Enceinte en aluminium peint en émail gris. Carter d'amplificateur scellé avec joint caoutchouc néoprène.

III. INSTALLATION.

A. Déballage.

Après déballage du haut-parleur, inspectez-le pour voir s'il a été endommagé pendant le transport. S'il a été endommagé, faites une déclaration immédiatement auprès du transporteur en indiquant les dommages. Vérifiez soigneusement toutes les enveloppes, les étiquettes d'expédition et les étiquettes volantes avant de les retirer ou les détruire.

B. Dispositions de Montage (Voir figure 1).

▲ ATTENTION

Pour maintenir la classification pour endroits dangereux du modèle AM15XD2, n'utilisez pas le trou à déboucher de 7/8" (montage à conduit caché).

Le haut-parleur peut être monté sur toute surface relativement plate. La connexion conduit peut être faite avec l'ouverture taraudée de 1/2" en bas du carter ou dans le cas du AM15, à la pièce chassée de 7/8" à l'arrière du carter. Après sélection de l'emplacement de montage et de la méthode de montage, procédez avec les instructions applicables ci-dessous.

▲ AVERTISSEMENT

Des dommages aux biens, des blessures graves ou mortelles peuvent avoir lieu si une accumulation d'eau, de neige, de poussières, etc. se trouvent dans le cornet du haut-parleur, réduisant gravement ou empêchant le fonctionnement de ce dispositif. Montez l'unité de manière que le cornet du haut-parleur soit dirigé horizontalement ou légèrement vers le bas.

1. Montage sur Surface Plane.

- a. Retirez et gardez les deux vis qui fixent le couvercle sur le carter. Retirez le carter.

▲ AVERTISSEMENT

Des dommages aux biens, des blessures graves ou mortelles peuvent avoir lieu si des objets se trouvent devant le haut-parleur réduisant gravement la répartition optimale de son. Pour une efficacité maximale, assurez-vous que l'avant du haut-parleur est dégagé de toute obstruction.

- b. Sélectionnez l'emplacement de montage et placez l'arrière du carter contre la surface de montage.
- c. A l'aide des trous de montage (2) à l'intérieur du carter du Modèle AM15 ou quatre (4) dans le support de montage externe du AM15XD2 comme gabarit, marquez les positions de perçage sur la surface de montage. Voir figure 1 pour les emplacements des trous de montage et les dimensions.

▲ ATTENTION

Avant de percer des trous dans une surface, assurez-vous que les deux côtés de la surface sont dégagés de tout élément qui pourrait être endommagé.

- d. Fixez l'appareil à la surface de montage avec les 10 vis appropriées pour le type de matière de la surface de montage.

▲ AVERTISSEMENT

Des dommages aux biens, des blessures graves ou mortelles peuvent avoir lieu si le cornet est malmené pendant l'installation ou plus tard. Ne faites pas tourner le cornet de plus de 180°, sinon le câblage intérieur du haut-parleur peut être endommagé.

- e. Repositionnez le cornet du haut-parleur si nécessaire pour obtenir la couverture sonore désirée. Desserrez l'écrou à embase (voir figure 1) et déplacez le cornet jusqu'à la position désirée.
- f. Avant de réinstaller le couvercle du carter, lisez le paragraphe III.C Connexions électriques ci-dessous et faites les connexions électriques nécessaires.

2. Montage sur Conduit Caché Modèle AM15.

- a. Retirez et gardez les deux vis qui fixent le couvercle au carter. Démontez le carter.
- b. Enlever la pièce chassée 7/8" à l'arrière du carter.
- c. Installez la connexion du conduit.
- d. Sélectionnez l'endroit de montage et placez l'arrière du carter contre la surface du montage.
- e. A l'aide des deux trous de montage comme gabarit, marquez des positions de perçage sur la surface de montage. Voir la figure 1 pour les emplacements des trous de montage et les dimensions.

▲ ATTENTION

Avant de percer des trous dans une surface, assurez-vous que les deux côtés de la surface sont dégagés de tout élément qui pourrait être endommagé.

- f. Fixez l'appareil à la surface de montage avec les 10 vis appropriées pour le type de matière de la surface de montage.

▲ AVERTISSEMENT

Des dommages aux biens, des blessures graves ou mortelles peuvent avoir lieu si le cornet est malmené pendant l'installation ou plus tard. Ne faites pas tourner le cornet de plus de 180°, sinon le câblage intérieur du haut-parleur peut être endommagé.

- g. Repositionnez le cornet du haut-parleur si nécessaire pour obtenir la couverture sonore désirée. Desserrez l'écrou à collerette (voir figure 1) et déplacez le cornet jusqu'à la position désirée.
- h. Avant de réinstaller le couvercle du carter, lisez le paragraphe III.C Connexions électriques ci-dessous et faites les connexions électriques nécessaires.

C. Connexions Électriques.

▲ DANGER

Pour éviter des chocs électriques, ne connectez pas les fils si les circuits sont sous tension.

NOTE

Les fils audio doivent être choisis par votre électricien d'installation agréé pour votre application de service. Ce câble exige une paire de fils torsadés et blindés d'un minimum de 18AWG et devrait produire au plus une perte de signal de 15% sur la longueur du câble.

Le National Electrical Code ainsi que les codes locaux doivent être respectés lors de l'installation de ces modèles. Tout le câblage électrique doit être passé à travers des conduits et raccords approuvés. L'utilisation de conduits et raccords métalliques est nécessaire pour permettre la mise à la terre de l'enceinte.

1. Voir les figures 2 et 3. Connecter les fils communs (-) audio à la borne commune du haut-parleur et aux fils positifs (+) audio à la borne (+) (SIG).

⚠ AVERTISSEMENT

Des dommages aux biens, des blessures graves ou mortelles peuvent avoir lieu si le carter n'est pas fermé correctement. Pour réduire la possibilité d'explosion, le couvercle de carter du Modèle AM15XD2 doit être maintenu fermé étanche pendant que les circuits sont sous tension.

2. Assurez-vous que le joint de couvercle en caoutchouc Néoprène est bien assis dans la rainure du carter et réinstallez le couvercle du carter.

IV. ESSAI/FONCTIONNEMENT.

⚠ AVERTISSEMENT

Dans certaines situations, ces dispositifs peuvent produire des sons suffisamment forts pour causer des dommages à l'ouïe. Une protection adéquate de l'ouïe doit être portée si on est très près du dispositif pendant les essais. Les recommandations de la Norme OSHA de niveau de son (29 CFR 1910) ne doit pas être dépassées.

- A. Après avoir terminé l'installation, assurez-vous de tester le système pour vérifier que chaque haut-parleur fonctionne correctement. Si vous trouvez que l'appareil est trop fort pour l'emplacement choisi, ajustez le niveau du volume du haut-parleur à la source.

⚠ AVERTISSEMENT

Des dommages aux biens, des blessures graves ou mortelles peuvent avoir lieu si le carter n'est pas fermé correctement. Pour réduire la possibilité d'explosion, le couvercle de carter du Modèle AM15XD2 doit être maintenu fermé étanche pendant que les circuits sont sous tension.

- B. Après fin de l'essai initial du système, établissez un programme pour essai périodique de ce dispositif.
- C. Fournissez une copie de ces instructions à l'ingénieur de sécurité, à l'opérateur du système et au personnel d'entretien.

⚠ MESSAGE DE SÉCURITÉ AUX OPÉRATEURS

Même si votre système d'avertissement fonctionne correctement, il peut ne pas être complètement efficace. Les gens peuvent ne pas voir, entendre ou respecter votre signal d'avertissement. Vous devez reconnaître ce fait et vous assurer que votre signal d'avertissement a l'effet voulu par des séquences correctes d'essai/formation dans votre application spécifique.

V. ENTRETIEN.

⚠ MESSAGE DE SÉCURITÉ AU PERSONNEL D'ENTRETIEN

Le non-respect des précautions et instructions de sécurité peut en résulter en dommages aux biens, blessures graves ou mortelles pour vous ou d'autres.

- Lire et comprendre toutes les instructions avant d'utiliser ce système.
- Pour réduire le risque de chocs électriques ou un allumage d'atmosphères dangereuses, n'effectuez pas d'entretien ou de service sur cet appareil si les circuits sont sous tension.

- Des vérifications périodiques doivent être faites pour assurer que l'efficacité de ce dispositif n'a pas été réduite parce que le haut-parleur s'est bouché avec des matières étrangères ou parce que des objets ont été placés devant le haut-parleur.
 - Tout entretien de cet appareil DOIT être fait par un électricien professionnel conformément aux recommandations NEC et aux codes locaux.
 - Ne jamais modifier l'unité de quelle que manière que ce soit. La sécurité dans des lieux dangereux peut être mise en cause si des ouvertures supplémentaires ou d'autres modifications sont faites au Modèle AM15XD2.
 - Les plaques de caractéristiques, qui contiennent des informations d'avertissement ou autre, importantes pour le personnel d'entretien, ne doivent pas être cachées si l'extérieur du dispositif est peint.
- A. Vérifiez périodiquement ce dispositif pour vérifier qu'il n'y a pas de produits étrangers dans ou devant le haut-parleur qui puissent réduire son efficacité.
- B. Un essai doit être effectué périodiquement. Référez-vous à NFPA 72G, aux codes locaux incendie et à l'administration qui a la juridiction pour ces informations.
- C. Au cas où un ajustage de volume ou une autre réparation serait nécessaire, assurez-vous de vous référer au message de sécurité pour le personnel d'entretien avant de continuer.

VI. SERVICE.

▲ AVERTISSEMENT

Des réparations ou un service non autorisé de cet appareil peuvent résulter en dégradation des performances et/ou dommages aux biens, blessures graves ou mortelles pour vous ou d'autres.

Si vous découvrez un appareil ne fonctionnant pas bien, n'essayez pas de réparer sur place ou de remplacer des pièces.

L'usine de Federal Signal fera le service de votre matériel et fournira une assistance technique pour tout problème qui ne puisse être traité localement.

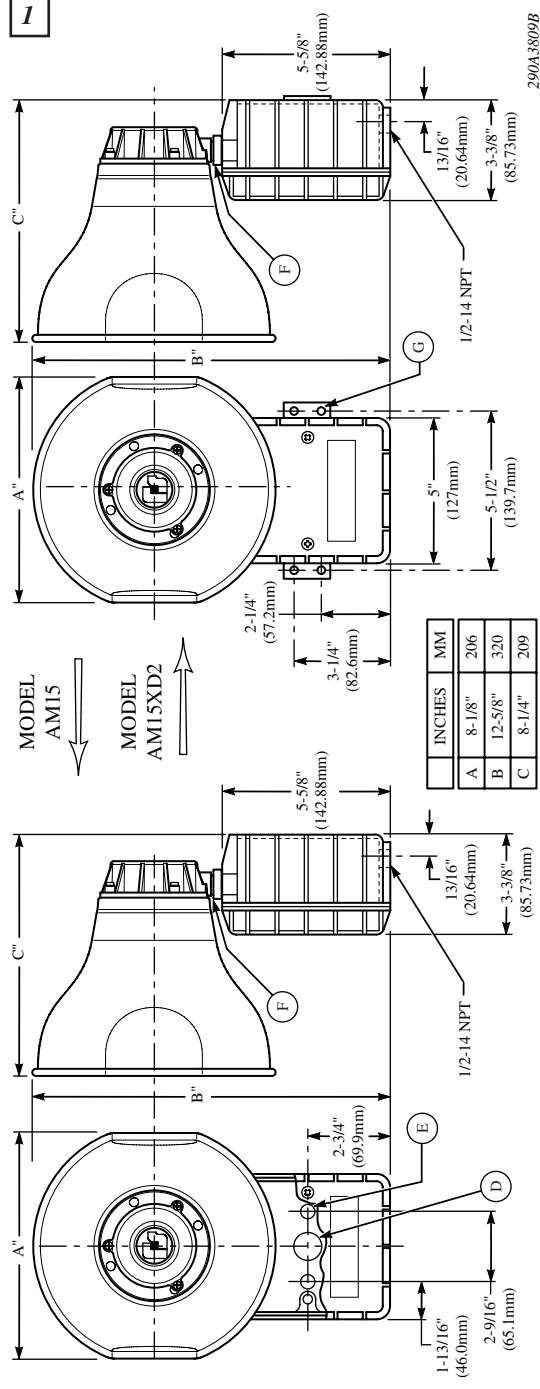
Toutes les unités renvoyées à Federal Signal pour un service, inspection ou réparation doivent être accompagnées d'une autorisation de retour de matériel. Cette R.M.A. peut être obtenue auprès du distributeur local ou du représentant du fabricant.

A ce moment, une courte explication du service demandé, ou la nature du mauvais fonctionnement doit être donnée.

Adressez toutes les communications et expéditions à:

FEDERAL SIGNAL CORPORATION
 Industrial Systems Division
 Service Department
 2645 Federal Signal Drive
 University Park, IL 60466-3195

1



290A3809B

English

- D. 7/8 dia. concealed conduit knock out mounting (in rear of housing)
- E. 0.201 dia. 2 holes (mounting)
- F. Collar nut
- G. 0.201 dia 4 holes (mounting)

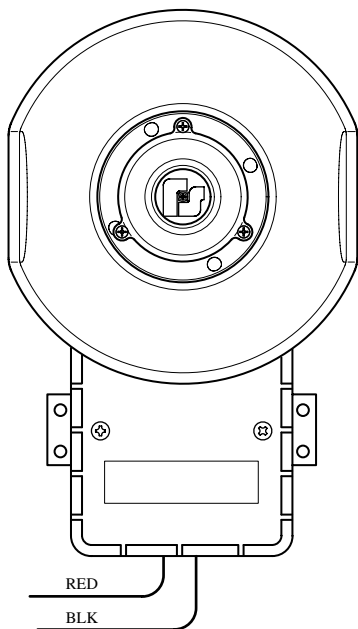
Français

- D. Ejection diam. 7/8" (a l'arriere de l'enceinte)
- E. 2 trous de montage dia. 0,201
- F. Ecrou collier
- G. 4 trous de montage dia. 0,201

Español

- D. Pieza desmontable de 7/8" de diámetro (en la parte posterior de la carcasa)
- E. 2 orificios de montaje dia. 0,201
- F. Tuerca collar
- G. 4 orificios de montaje dia. 0,201

2



(A)

**AM15
&
AM15XD2**

290A3810B

English

A. Speaker models

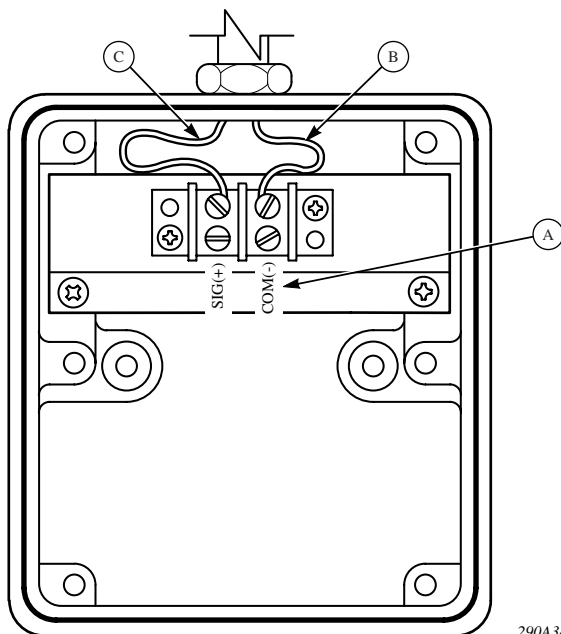
Español

A. Parlante modelos

Français

A. Haut-parleur modes

3



290A3808

English

- A. NOTE: Label appears on this side of terminal strip. Shown here on mounting bracket for reference only.
- B. Common (-) leads to common terminal.
- C. Positive (+) leads to (+) or SIG.

Español

- A. NOTA: Las letras aparecen en este lado de la regleta de conexiones. Se muestran aquí en el soporte de montaje solo como referencia
- B. Conectores comunes (-) al terminal común.
- C. Cables positivos (+) al terminal (+) o (SIG).

Français

- A. NOTE : Les lettres sur ce cote de la bande de borne montrées ici sur le supporte de montage sont données uniquement pour référence.
- B. Les câbles communs (-) sur la borne commune.
- C. Fils positifs (+) à la borne (+) ou (SIG).