



UltraVoice™ Indoor Controller

Model UVIC

The Federal Signal UltraVoice™ Indoor Controller, Model UVIC, is designed to deliver clean, clear, amplified audio to a network of speakers (sold separately), configured for indoor notification or evacuation. The UltraVoice Indoor Controller has been designed for high quality reproduction of live or pre-recorded voice and tone, providing the ability to automate testing and emergencies.

The UVIC is housed in a single NEMA1 style cabinet, with provisions for up to two 400 watt amplifiers (sold separately). Each controller requires 120VAC and contains two sealed lead-acid batteries, providing over 30 minutes of operation in the event power has been lost. The UVIC may be either Landline activated or Radio controlled from a remote location. Landline activation can initiate one of the 8 onboard functions by connecting a momentary dry contact closure (customer supplied) to the appropriate pc board mounted terminal block. These functions can contain a combination of tone and pre-recorded voice or Public Address. Public Address is available from the supplied microphone located inside the controller. If Radio Control of the UVIC is desired, an optional Federal Signal Encoder Model SS2000D and base station radio (approved radio license required at time of order) must be added to the control package and is typically located where administrative control and activation resides. In either configuration, each function will remain active for 3 minutes as standard.

The UVIC controller is also compatible with our Federal Commander® Windows® Based Digital status monitoring and activation software to “point and click” activation and local indication of alarms or fault conditions. Available functions to be displayed on a computer screen or captured to a database or printer are: AC Power, Battery Voltage, Charger Operation, Activation Current, Amplifier Status, Quiet Test, Intrusion and Local Activation.

Options

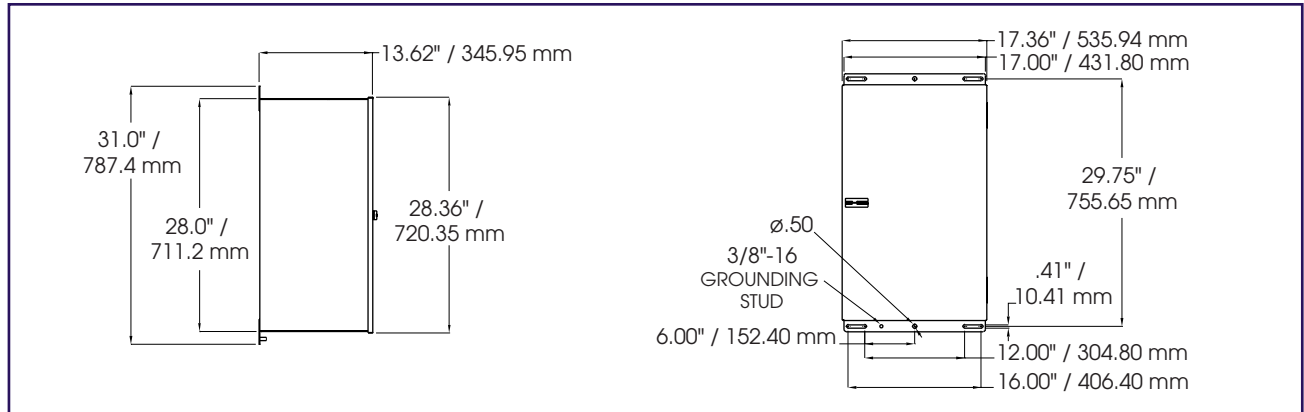
Ultravoice units may be equipped with a programmable RF receiver for remote control using MSK or DTMF protocols. Federal Commander Windows based software provides command and control for UltraVoice two way products

FEATURES

- Landline, Ethernet (IP) or Radio Control w/Two-way Status Monitoring
- Public Address
- Seven Standard Tones
- 70 Vrms Audio Output Standard (25 Vrms optional)
- 4 Programmable Relays, 600-Ohm, Line-level and 33-OHM Audio Outputs (with optional UVARM)
- Type 1 Enclosure
- Up to 16 Digitally Stored Messages Standard (8 minute total storage capacity)
- Batteries and Local Microphone Included
- Optional Windows Based Activation and Status Monitoring Software
- UL and cUL Listed

Operating Temperature	Net Weight (No Amplifiers)	Shipping Weight (UVIC)	Shipping Weight (Batteries)	Height	Width	Depth
-30°C to 65°C	64.55 lbs	200 lbs	58.97 lbs	31"	17.36"	13.62"

ULTRAVOICE™ INDOOR CONTROLLER (UVIC)



ORDER INFORMATION

Contact our Federal Signal Sales Engineers to design a system that meets your specific requirements.

Considerations for system configuration:

UVIC	Indoor Controller, No Radio
UVICH	Indoor Controller, Two-way VHF (150-174) MHz
UVICU	Indoor Controller, Two-way UHF (450-474) MHz
UVIC-IP	Indoor Controller, IP-enabled
UVIC-LL	Indoor Controller, Landline
UVICH240	Indoor Controller, Two-way 240VAC, VHF
UVICU240	Indoor Controller, Two-way 240VAC, UHF

SPECIFICATIONS

Input Voltage:	120 or 240VAC +/- 10%, 50/60 Hz Single-phase
Input Current:	5A AC, 45A DC Max
Operating Voltage:	24VDC
Standby Time:	3 Days with 5 minutes in reserve
Continuous Signaling Time:	30 minutes
Audio Output (UV400):	70 Vrms (nominal)

OPTIONAL ACCESSORIES

MODEL	DESCRIPTION
UV400	Amplifier, 400 Watt
DVR	Digital Voice Recording Fee
DV480	Digital Voice Chip (8 minutes)
SFCD10	Federal Commander® Two-way Status Monitoring Software, 10 Site License
SFCD25	Federal Commander Two-way Status Monitoring Software, 11-25 Site License
TB-LL	Telco Base, Landline
UVARM	UltraVoice Audio Relay Module Balanced 33-Ohm output: Adj. from 0.2-1.9 Vrms Balanced 600-Ohm output: Adj. from 0.2-3.0 Vrms or -12 to +11 dBa Single Ended Line-Level: Adj. from 0.2-3.0 Vrms Relay Outputs: 4 programmable relays rated 30Vdc, 15A
UVIC25ST	Step-down transformer, 68-25 Vrms <i>(Note: 25 Vrms step down transformer occupies one amplifier slot making the UVIC capable of a maximum of 400 watt in this configuration.)</i>