



Battery Powered Electromechanical Siren

Models 2001-130

DESIGNED FOR OUTDOOR WARNING

- Patented stator/horn design allows highly efficient, high-output operation from minimal battery source
- Sound output can cover four square miles
- Full battery operation or battery backup
- Produces 130dBc @ 100'
- Three-tone – Wail, Fast Wail and Steady
- Maintenance-free sealed bearing motors
- UL Listed Siren Controllers

The Federal Signal Model 2001-130 is a unique innovation in the high power outdoor warning siren market. The patented design represents a new generation of rotating, uni-directional electromechanical sirens.

The 2001-130 can be operated with a 120VAC battery-backup control cabinet or a 240VAC/VDC control cabinet.

This siren can be controlled remotely via wire or radio with the Model FC controller. The Model 2001-130 produces three distinctly different tones - Wail, Fast Wail and Steady. The high decibel output provides for maximum coverage from a single siren site.

Federal Signal's Model 2001-130 produces 130dBc at 100 feet. Its ring radiator projects a 60° beam of sound which rotates at two RPM and is adjustable to six RPM. The design allows for small size without compromising sound output, and minimizes wind loading.

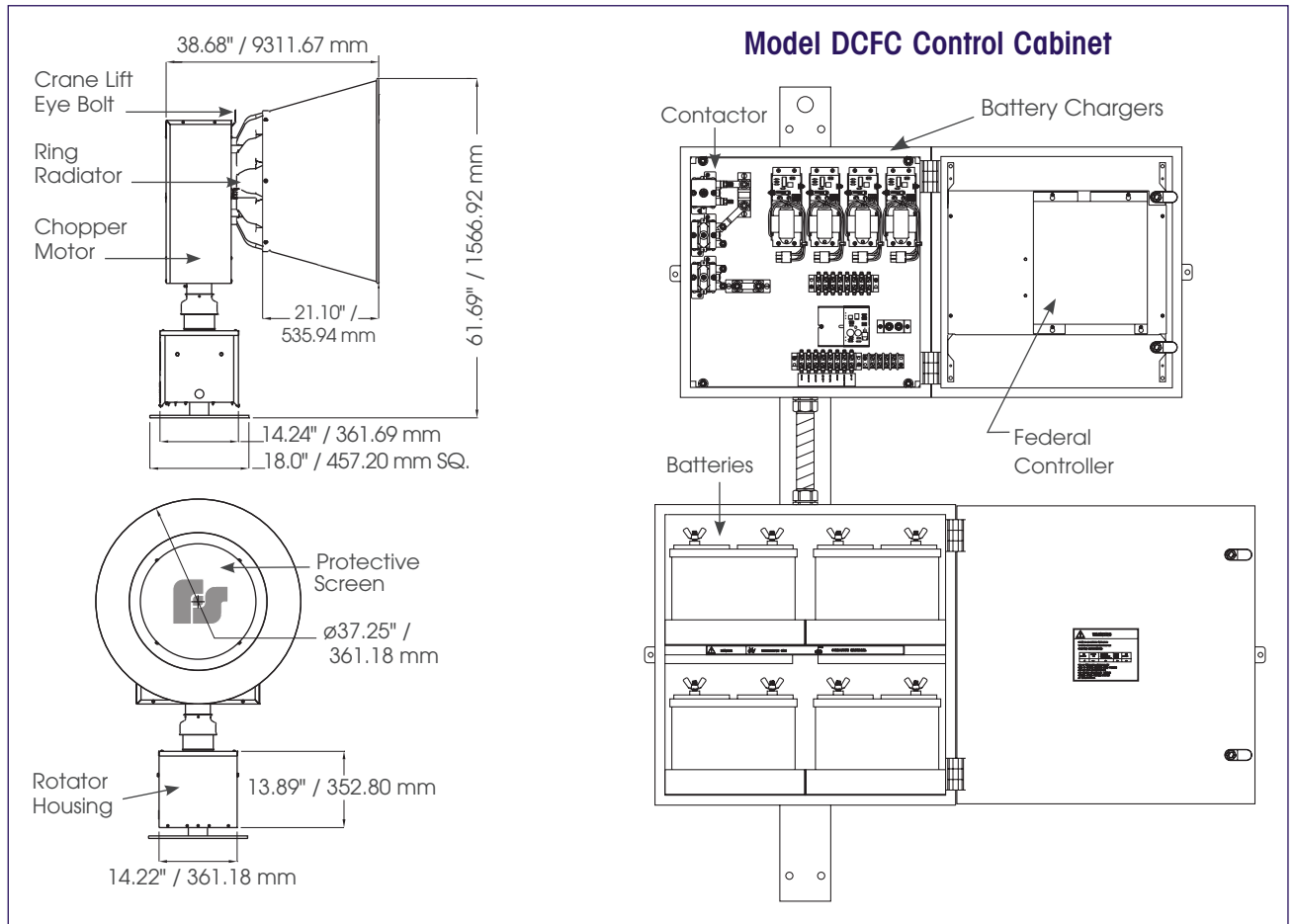
The Model 2001-130 is ideally suited for wide area coverage with high decibel output and attention getting signals. The Model 2001-130 also overcomes high ambient noise areas, such as those found in industrial plants, steel mills, chemical plants and refineries.

Model	Voltage	Decibels @ 100'	Operating Current	Standby Current
2001-130	48VDC	130dBc	100 amps (Nominal)	N/A
DCFCB	120VAC	N/A	4 amps	0.2 amps
2001AC	240VAC ¹	N/A	30 amps ²	N/A

¹ Also operates on 208 or 220/240VDC (please specify)

² 50 amp service recommended

ELECTROMECHANICAL SIREN (2001-130)



SPECIFICATIONS

Rotation Speed:	(2001-130) 2-6 RPM (adj.)
Continuous Signal Time*:	(2001DC) 15 minutes minimum @ full output
Standby Time:	(2001DC) 20+ days with 5 minutes full signal reserve
Effective Range at 70dBc:	6200 ft.

tone

Steady:
Wail:
Fast Wail:

FREQUENCY

750 Hz
470-705 Hz
600-705 Hz

SWEEP

N/A
10.0 sec.
3.5 sec.

* After AC power failure

HOW TO ORDER

Contact our Federal Signal Sales Engineers to design a system that meets your specific requirements.

Considerations for system configuration:

- Specify model
- Specify controller

Model Number	Operating Temperature	Net Weight	Shipping Weight	L	Dimensions W	H
2001-130	-22°F – 140°F	395 lbs.	450 lbs.	41"	37"	55"
	-30°C – 60°C	180 kg	205 kg	104.14 cm	93.98 cm	139.7 cm
DCFCB	-22°F – 140°F	141 lbs.	234 lbs.	16"	24"	48"
	-30°C – 60°C	64 kg	106 kg	40.64 cm	60.96 cm	121.92 cm
2001AC	-22°F – 140°F	159 lbs.	182 lbs.	10"	24"	24"
	-30°C – 60°C	72 kg	83 kg	25.4 cm	60.96 cm	60.96 cm