



HAZARDOUS AREA INTERCOM STATION

- All stainless steel construction
- Super-bright LED indicator
- Tactile keypad
- Headset, gooseneck microphone and handset options
- Output to powered loudspeaker
- Designed for Type 4X, IP66
- UL and cUL Listed

Class I, Division 2 Digital Intercom Stations

Model ECHO E2

Federal Signal Model E2 ECHO Intercom Stations provide safe and efficient two-way voice communications in large and small ECHO Digital Intercom Systems. The E2 ECHO Station is designed and approved for use in Hazardous Areas including Class 1, Division 2, Groups A, B, C, and D; Class II, Division 2, Groups F and G; and Class III.

The E2 ECHO station provides instantaneous high-speed connections and clear, crisp digital voice quality. Each station offers single-button all call, priority emergency paging, group paging, speed dial, conference call, and relay output.

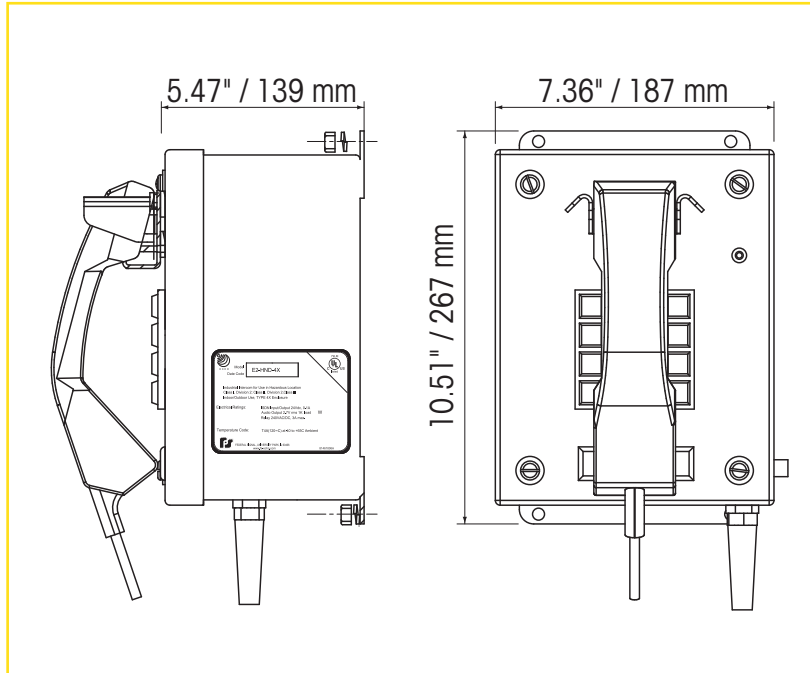
Any station can call any other station(s) in an ECHO Digital Intercom System. With the headset or gooseneck microphone options, each is capable of hands-free voice communication. Because the ECHO Digital Central Exchange provides 30 channels of simultaneous communication, calls are processed and connected immediately without dial tone or delay.

The E2 Station keypad is designed to provide tactile and audible feedback (via external powered loudspeaker) for positive activation. Each station may be programmed for four levels of privacy for receiving calls; non-private, semi-private, full privacy and do-not-disturb. Volume for voice and signal levels are easily adjusted on the keypad.

Each E2 Station is constructed of heavy duty, corrosion-resistant stainless steel, equipped with weatherproof keypads, and are rated for use in Type 4X dust- and water-tight applications.



CLASS I, DIVISION 2 DIGITAL INTERCOM STATIONS (E2)



HOW TO ORDER

- Specify model:
 Station with Handset (E2-HND)
 Station with Stubby Microphone (65mm) (E2-SM)
 Station with Headset (E2-HDS)
 E2-HND in 4X enclosure (IP66) (E2-HND-4X)
 E2-SM in 4X enclosure (IP66) (E2-SM-4X)
 E2-HDS in 4X enclosure (IP66) (E2-HDS-4X)
 Gooseneck microphone, 260mm (E2-GM1)
 Gooseneck microphone, 440mm (E2-GM2)
 Gooseneck microphone, 590mm (E2-GM3)

SPECIFICATIONS

Operating Voltage:	24VDC nominal (line driven from ECHO control)	Line Attenuation:	24dB@160kb/s Max
Current Idle:	25ma	Loop Resistance:	170 Ohm Max
Current Connected:	100ma	Distance:	1.2 miles 2 km Max
Handset Microphone Type:	Dynamic	Cable:	One twisted pair, non-shielded
Handset Material:	Moulded Polycarbonate/ABS Blend	Cable Entries:	.88" 3 x Ø22mm Hole
Handset Cord:	Stainless Steel	Operating Temperature Range:	-40C to +65C
Stubby Microphone Type:	Dynamic	Termination:	Plug-in screw terminal, non-polar
Stubby Microphone Sensitivity:	-54dB	Relay Switching Capacity:	3A at 240VAC
Stubby Microphone Enclosure:	Stainless Steel	Net Weight:	9.9 lbs 4.5kg)
Audio Output:	2.7 Vrms , 1k load	Shipping Weight:	14.8 lbs 6.7kg
Volume Control via Keypad:	30dB in ten steps	Shipping Dimensions:	20.63" x 14.13" x 13.63" 524mm x 359mm x 346mm



E2-SM



E2-HDS



E2-SM-4X