



# Electrarray® Supervised Hearing Impaired Hazardous Location Strobe Warning Light

Model 224XSTHI

## DESIGNED FOR USE IN HAZARDOUS LOCATIONS

- Available in 24VDC
- Four wires and supervisory diodes
- Clear lens
- 10,000 hour, high-intensity strobe tube
- 1/2-inch NPT pipe mount
- Type 4X, IP66 enclosure
- UL Listed and CSFM Approved

Federal Signal's Electrarray® Model 224XSTHI hazardous location strobe light provides 80 high-intensity flashes per minute. This warning light is available in 24VDC.

The Model 224XSTHI has been certified by UL as meeting Type 4X water tight and corrosion resistant requirements, constructed to IP66. This hazardous location warning light has a black polyurethane-coated base and a clear inner fresnel lens to meet the requirements of Hearing Impaired Signals. The clear polycarbonate outer dome can be quickly removed for easy access to inspect the unit or change the lamp. The 224XSTHI has an effective candela of 240 and a 580,000 peak candela.

The 224XSTHI features a voltage in-rush limiting PCB design that provides greater compatibility with control systems and fire alarm panels and less electrical interference with in-rush sensitive devices.

The 224XSTHI warning light is UL Listed for Class I, Division 2, Groups A, B, C and D; Class II, Division 2, Groups F and G; and Class III. The 224XSTHI is also CSFM Approved.

The Electrarray 224XSTHI contains a supervisory diode and four wire leads for fire alarm applications. This strobe is UL 1971 Listed for hearing impaired applications.

Model	Voltage	Operating Current	Flash Rate/ Minute	Candela		Mount
				Peak <sup>1</sup>	ECP <sup>2</sup>	
224XST-HI	24VDC	0.7 amps (2.0 amp, in-rush)	80	580,000	240	1/2" NPT Pipe

## Hazardous Location Rating:

T-Code at Maximum Ambient Temperature, °C

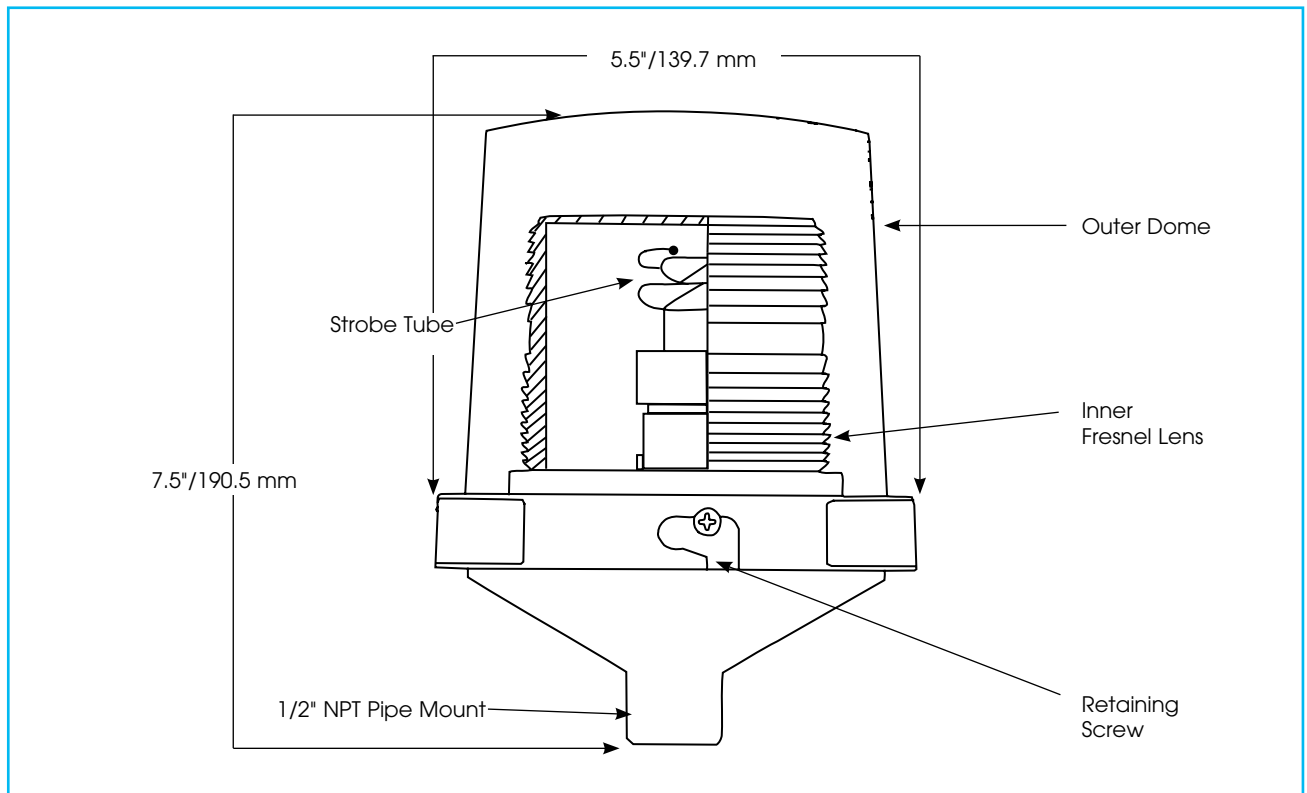
Hazardous Location	40°C
Class I, Div 2, Groups A, B, C, D	T2A/280
Class II, Div 2, Groups F, G	T5/100
Class III	T5/100

<sup>1</sup> Peak candela is the maximum light intensity generated by a flashing light during its light pulse

<sup>2</sup> ECP (Effective Candela) is the intensity that would appear to an observer if the light were burning steadily



## ELECTRARAY® HAZARDOUS LOCATION WARNING LIGHT (224XSTHI)



### SPECIFICATIONS

Lamp Life:	10,000 Hours	10,000 Hours
Lamp Source:	Strobe	Strobe
Operating Temperature:	-40°F to 104°F	-40°C to 40°C
Net Weight:	1.5 lbs.	0.68 kg
Shipping Weight:	2.0 lbs.	0.9 kg
Height:	7.5"	190.5 mm
Diameter:	5.5"	139.7 mm

### HOW TO ORDER

- Specify model, voltage and color
- Please refer to Model Number Index 224XSTHI beginning on page 377

### REPLACEMENT PARTS

<u>Description</u>	<u>Part Number</u>	<u>Description</u>	<u>Part Number</u>
Exterior Dome, Clear	K8444D219C-04	PC Assembly, 24VDC	K2001202C-01
Interior Lens, Clear	K8550C095A		
Strobe Tube	K8107177A		