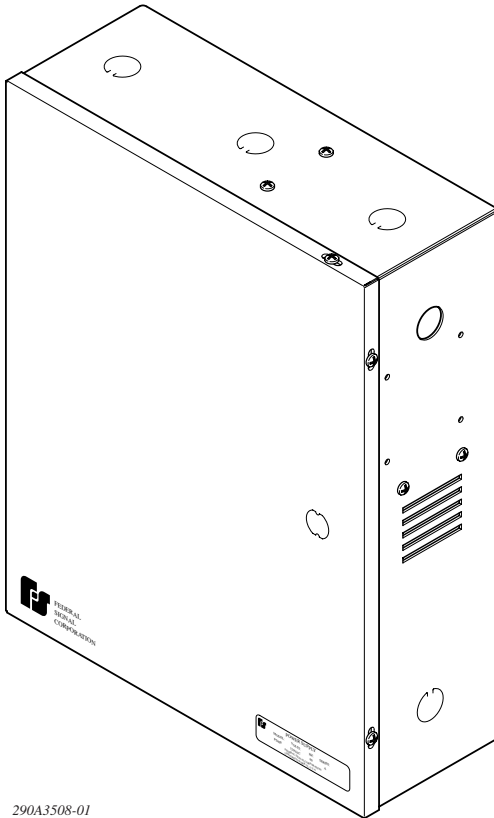


MODEL PS600

INSTALLATION AND SERVICE MANUAL FOR FEDERAL MODEL PS600



290A3508-01

Address all communications and shipments to:



FEDERAL SIGNAL CORPORATION

Electrical Products Division

2645 Federal Signal Drive

University Park, IL 60466-3195

INSTALLATION AND SERVICE MANUAL FOR FEDERAL MODEL PS600

I. GENERAL DESCRIPTION

A. General.

The Model PS600 Power Supply is a nominal 12 VDC or 24 VDC supervised power supply that provides primary power and/or standby power to various devices in a SelecTone system while maintaining the charge level of an integral 24 volt battery package (refer to page 3). The battery package automatically supplies power during power outages. Once power is restored, the supply recharges the batteries. This power supply is intended for use in applications requiring UL certification for fire protection signaling and access control. The power supply must be installed in accordance with National Electric Codes and in accordance with NFPA 72 (protective signaling systems). This power supply meets UL certifications 1481 and 294.

The power supply converts 120 VAC @ 50/60Hz, or 240 VAC @ 50/60Hz, into a fully regulated 12 VDC or 24 VDC output. The unit has a 6 ampere capacity and the output is protected by a poly switch (PTC). Also, the battery is protected by a 10 ampere fuse. This supply is equipped with thermal and short circuit protection with auto reset.

The power supply has green and red LED indicators mounted on the printed circuit board of the unit. The green LED, when lit, indicates the presence of AC power in the unit. The red LED, when lit, indicates the presence of DC power in the unit.

The unit is housed in an enclosure designed for permanent mounting on a wall or another substantial vertical surface. An optional key lock door is supplied for the front door of the cabinet, the lock is provided to discourage unauthorized access. The unit is intended for indoor use only.

B. Battery Package.

The PS600 battery consists of two 12 volt, sealed lead acid batteries, connected in series. These batteries supply emergency power to units in a SelecTone system or other devices during electrical power failures. The power supply includes a built-in charger for the batteries.

The length of time that the batteries can supply power depends upon the amount of current drawn by the loads. In normal fire alarm systems, the two time frames are used; twenty-four hours on stand-by, followed by five minutes of alarm, or sixty hours on standby, followed by five minutes of alarm.

It is necessary for the power supply to have enough capacity to operate the external equipment properly. Calculate the standby current and the twenty-four discharge rate on standby, or the standby current and the sixty hour discharge rate on standby. Determine the total ampere-hour capacity necessary as described in the following example.

EXAMPLE:

Discharge Rate:	24 hours
Standby current:	0.200 amperes, 24 VDC
Five minutes Alarm Current:	6 Amperes, 24 VDC
Useful Battery Capacity:	85%
Capacity Req. = {(dis. rate (hours) x standby current (amps)) + (alarm hours (hours) x alarm current (amps))}/useful bat. cap.	
Capacity Req.:	$\{(24 \times 0.200) + (5/60 \times 6)\} / 0.85$ $= \{ 4.80 + 0.5 \} / 0.85$ $= 5.30 / 0.85$ $= 6.23 \text{ Ampere-Hour}$

For this example, a 24 VDC, 6 Amp., power supply with 24 Volt, 12 Ampere-hour battery can operate the signaling device.

C. Power Supply Circuit Board Assembly.

The power supply printed circuit board contains circuitry that provides DC operating voltage to units in a SelecTone system and maintains a charge level on the batteries when AC power is available. It also includes logic circuitry that controls the AC power LED, DC power LED and transfer of battery connection to the output during an AC power outage.

II. SPECIFICATIONS.

Determining the maximum load discharge current from a specific battery size over a specific amount of time can be tricky. Batteries are rated at maximum efficiency over a 20 hour discharge period. Therefore, a 20 amp-hour battery will provide 1 amp over a 20 hour period. However, calculating discharge time for other discharge currents is not as easy as division or multiplication. A 20 amp-hour battery will supply 1 amp for 20 hours. However, it will not provide 2 amps for 10 hours, but rather, 1.8 amps for 10 hours, which is equivalent to 18 amp-hours.

EXAMPLE:

Your system has a 12 amp-hour battery and you need 4 hours of backup time. Simply locate the 12 amp-hour diagonal line and the 4 hour horizontal discharge time line. Next, find the intersection (as circled). Follow this intersection point vertically down to find the maximum discharge current. In this case, 2 amps is the maximum discharge current.

Operating Voltage	120 VAC, 50/60 Hz 240 VAC, 50/60 Hz
Current Requirement	120 VAC, 1.90 amps 240 VAC, 0.95 amps
DC Output (Non-Power-Limited, Supervised)	
AC Power Applied	
Voltage	24.8 VDC no load 23.1 VDC full load
Current	6 Ampere maximum
Ripple	0.5 Volts rms maximum
During Power Failure	
Voltage	26.4 VDC no load 24 VDC nominal
Current	6 Ampere maximum (25° C - see Note 1)
Output Circuits (Non-Power-Limited)	6 Amp @ 24 VDC Resistive
Dry Contact Closure of Trouble Out Relay	Connect to power limited circuits only
AC Fail Relay	2 amps 120 VAC/28 VDC
Battery Trouble Relay	2 amps 120 VAC/28 VDC
Battery Package	
Number of Batteries	2, connected in series
Battery Voltage	12 V each (24 V total)
Capacity	12 Ampere-hours
Type	Sealed, lead-acid gelled electrolyte
Recharge Time	48 hours (after complete discharge)
Charging Current	1.25 Amps maximum
Physical	
Dimensions (HWD)	15.50" x 12.50" x 4.50"
Weight	13 Pounds (without batteries)
Operating Temperature Range	0° C to + 49° C

Application

The PS600 can be used with the following UL listed, 24 VDC models

50GC	SelecTone Audible Signaling Device
300GC	SelecTone Audible Signaling Device
300GCX	SelecTone Hazardous Location Audible Signaling Device
300X	SelecTone Explosion Proof Audible Signaling Device
302GC	SelecTone Audible Signaling Device
302GCX	SelecTone Hazardous Location Audible Signaling Device
302X	SelecTone Explosion Proof Audible Signaling Device
300SSC	Supervised SelecTone Command
300Z	Supervised SelecTone Zone Panel

NOTES:

1. Battery current capacity changes throughout the operating temperature range.
2. Batteries are shipped partially charged. Allow at least 48 hours of charging time before operating from batteries.
3. In accordance with NFPA72, wires to batteries do not have to be supervised provided that they are in conduit or equivalent to prevent mechanical injury.
4. Replace battery fuse with factory authorized fuse only: Little Fuse Company part number 312010, 10 A/250 VAC fast blow.

UL APPLICATIONS:

Meets UL 1481, 294, suited for UL certified fire alarms & access control systems.

Other Certifications:

- NYC Department of Buildings Approved (MEA)
- California State Fire Marshall Approved (CSFM)
- NFPA 72 compliant
- CSA Approved (Canada)

III. INSTALLATION.

SAFETY MESSAGE TO INSTALLERS

People's lives depend on safe installation of our products. It is important to follow all instructions shipped with the products. This device is to be installed by a trained electrician who is thoroughly familiar with the National Electrical Code and will follow the NEC Guidelines as well as local codes.

The selection of the mounting location for the device, its controls and the routing of the wiring is to be accomplished under the direction of the Facilities Engineer and the Safety Engineer. In addition, listed below are some other important safety instructions and precautions you should follow:

- Read and understand all instructions before installing or operating this equipment.
- Do not connect this unit to the system when power is on.
- After installation, ensure that all bolts and threaded joints are tightened.
- Establish a procedure to routinely check the power supply for proper activation and operation.
- Provide a copy of these instructions to the Safety Engineer, operator(s) and maintenance personnel.
- File these instructions in a safe place and refer to them when maintaining and/or reinstalling the device.

Failure to follow all safety precautions and instructions may result in property damage, serious injury, or death to you or others.

A. Physical.

The steel enclosure of the Model PS600 power supply is designed for mounting on a wall or other substantial vertical surface.

When installing the power supply, do NOT use electrical conduit to support the unit because the device weighs 13 pounds fully assembled without the batteries. When mounting the unit, be sure the mounting surface can sustain the weight of the PS600. The mounting method must also withstand external mechanical stresses that may be applied to the cabinet. The cabinet has three holes located in the rear to accommodate #10 mounting screws. The user must supply all mounting hardware.

The PS600 is shipped without the batteries installed. The batteries must be installed after the unit is mounted.

Use the power supply enclosure minus the batteries as a template to mark the location of the three mounting holes on the mounting surface. Mount the cabinet with the appropriate hardware. Make sure that the unit is firmly secured to the mounting surface. Install all electrical conduit at this time. Terminate the conduit for the 120 VAC or 240 VAC power at one of the two knockouts located at the upper right side of the cabinet. These knockouts are located above and to the right of the two transformers. Terminate the conduit for the 24 VDC or 12 VDC output at one of the knockouts located at top or the middle left side of the cabinet.

B. Electrical Connections.

NOTE

Make sure that AC power is **OFF**.

NOTE

The PS600 should be installed with the National Electrical Code NFPA 72 and in accordance with any local regulations.

There are two conduit entry knockouts provided on the upper side of the power supply cabinet, one on the lower right side, and one in the middle of the left side. Use one of the two knockouts located at the upper right side of the cabinet, near the two transformers, for 120 VAC or 240 VAC power, Class I, conductors. Use one of the two knockouts in the top, either the middle or the left side of the cabinet or the knockout in the middle of the left side for the non-power limited 24 VDC or 12 VDC output conductors. Make sure that all power limited fire protective signaling conductors are segregated from electric light, power, Class I, or non-power limited fire protective signaling conductors by more than 1/4 inch inside the power supply cabinet.

Install the electrical wiring for the input and output circuits, see figure 2. Use only 18 AWG wire for all power connections (battery, DC output). Use 22 AWG to 18 AWG wire for signaling outputs (AC and low battery supervision). Be sure to keep power limited wiring (supervised AC and low battery signaling) separate from non-power limited wiring (120 VAC @ 50/60 Hz or 240 VAC @ 50/60 Hz input, battery wires and DC output). See figure 3 for transformer hook-up. Strip no more than 0.25 inch of wire insulation from the ends of the power leads. Insert the stripped ends of the wire into the connector as far as they can travel.

Make sure the lead insulation is flush with the connector. If stranded wire is used, be sure that there are no loose strands outside of the connector plug that could touch the adjacent lead and cause a short circuit. Connect the 12 VDC or 24 VDC (output) circuits of the device to be powered, to the two position terminal block located at the upper left side of the power supply PC board and labeled “-DC+”. Observe the correct polarity. A wiring terminal screw can accommodate up to two wires provided the wires sit under the terminal clamp on opposite sides of the terminal screw.

Set the batteries next to one another at the bottom of the power supply cabinet. See figures 2 and 4. Connect the short yellow jumper wire provided between the positive (RED) terminal of the first battery and the negative (BLACK) terminal of the second battery. Connect the two

battery wires provided to the two position terminal block located at the lower left side of the power supply PC board and labeled “-BAT+”. Observe the correct polarity. Connect the black (negative) wire of the battery terminal block to the black (negative) terminal of the first battery. Then connect the red (positive) wire of the battery terminal block to the red (positive) terminal of the second battery and close the cabinet door.

NOTE

For access control applications, batteries are optional. When batteries are not used, the loss of AC will result in the loss of output voltage.

C. Instructions.

1. Set desired voltage. See Table 1.
2. If backup battery is desired, connect battery to battery terminals (“BAT”). Carefully observe polarity and match the battery voltage to the output set voltage.
3. Make sure the red and green LEDs illuminate. Red indicates the presence of DC power and the green indicates the presence of AC power.

FOR A SUPERVISED POWER SUPPLY:

4. Use “AC FAIL” (1 Form C dry contact) terminal to report loss of AC. AC fail is indicated in approximately five (5) minutes. AC fail relay is 2 amps at 120 VAC/28 VDC.
5. Use “BAT FAIL” (1 Form C dry contact) terminal to report LOW or NO battery condition. Battery fail is indicated in approximately twenty (20) seconds. Battery trouble relay is 2 amps at 120 VAC/28 VDC.

DESIRED VOLTAGE	SWITCH 1	SWITCH 2
12 VDC	SW1 = Closed	SW2 = Open
24 VDC	SW1 = Open	SW2 = Closed

Table 1. Output Voltage.

IV. THEORY OF OPERATION

A. General.

The electronic circuitry in the PS600 is divided into two sections; the DC Output Circuits and the Charger/Logic Circuits. The Output Circuits supply DC operating voltage to the load when AC voltage is available. The Charger/Logic Circuits control the charging of the battery package, and the illumination of the red (DC power) and green (AC power)LED indicators. Refer to Table 2.

RED (DC)	GREEN(AC)	DESCRIPTION
ON	ON	Normal Function
ON	OFF	Battery Backup is Powering Output
OFF	ON	No DC Output
OFF	OFF	System Off, No Battery

Table 2. LED Diagnostic Table.

B. DC Output Circuits.

The PS600 is capable of a 12 or 24 VDC output.

NOTE

With no AC present and battery wires connected, the DC output terminals will read approximately 1 Volt lower than the actual battery voltage.

C. Charger/Logic Circuits.

The Charger/Logic circuits consists of battery charging circuitry. This part of the circuit also illuminates the green and red LEDs which indicate the presence of AC and DC voltage, respectively.

Furthermore, the power sense circuit causes the green LED to stop illumination if the battery backup is powering the output, or the system is off and there is no battery. This circuit also will cause the red LED to stop illumination if there is no DC output, or the system is off and there is no battery.

The battery terminals provide a convenient location for checking the battery voltage with a DC voltmeter. To check the battery voltage, connect the negative voltmeter lead to the “-” terminal and the positive meter lead to the “+” terminal.

V. SERVICE AND MAINTENANCE.

SAFETY MESSAGE TO MAINTENANCE PERSONNEL

- Read and understand all instructions before performing any maintenance to this unit.
- To reduce the risk of electrical shock or ignition of hazardous atmospheres, do not perform maintenance/service on this device when circuits are energized.
- Any maintenance to the unit MUST be performed by a trained electrician in accordance with NEC Guidelines and local codes.
- The nameplate, which may contain cautionary or other information of importance to maintenance personnel, should not be obscured if exterior of housings are painted.

Failure to follow all safety precautions and instructions may result in property damage, serious injury, or death to you or others.

A. General.

Other than cleaning, no regularly scheduled maintenance is required. To ensure unit is operating properly, it should be tested at regularly scheduled intervals.

The unit should be tested at least once a year to insure proper operation as follows:

1. Output Voltage Test:

Under normal load conditions, the DC output voltage should be checked for proper voltage level.

2. Battery Test:

Under normal load conditions, check that the battery is fully charged. Check specified voltage both at the battery terminal and at the board terminals marked “-BAT+” to insure there is no break in the battery connection wires.

Battery life is five years; however, it is recommended changing batteries in four years or less if necessary.

The Federal Signal Corporation will service your equipment or provide technical assistance with any problems that cannot be handled locally.

Any units returned to Federal Signal for service, inspection or repair must be accompanied by a Return Material Authorization. This R.M.A. can be obtained from your local Distributor or Manufacturer’s Representative.

At that time a brief explanation of the service requested, or the nature of the malfunctions, should be provided.

Address all communications and shipments to:

FEDERAL SIGNAL CORPORATION
Electrical Products Division
Service Department
2645 Federal Signal Drive
University Park, IL 60466-3195

B. Replacement Parts.

<u>Description</u>	<u>Part Number</u>
12 Volt, 12 Amp-Hour Battery	K155190A
PS600 PC Board	K2001312A
120/240 VAC-Transformer	K120819A

1. Limited Warranty.

The Signal Division, Federal Signal Corporation (Federal), warrants each new product to be free from defects in material and workmanship, under normal use and service, for a period of two years on parts replacement and one year on labor from the date of delivery to the first user-purchaser.

During this warranty period, the obligation of Federal is limited to repairing or replacing, as Federal may elect, any part or parts of such product which after examination by Federal discloses to be defective in material and/or workmanship.

Federal will provide warranty for any unit which is delivered, transported prepaid, to the Federal factory or designated authorized warranty service center for examination and such examination reveals a defect in material and/or workmanship.

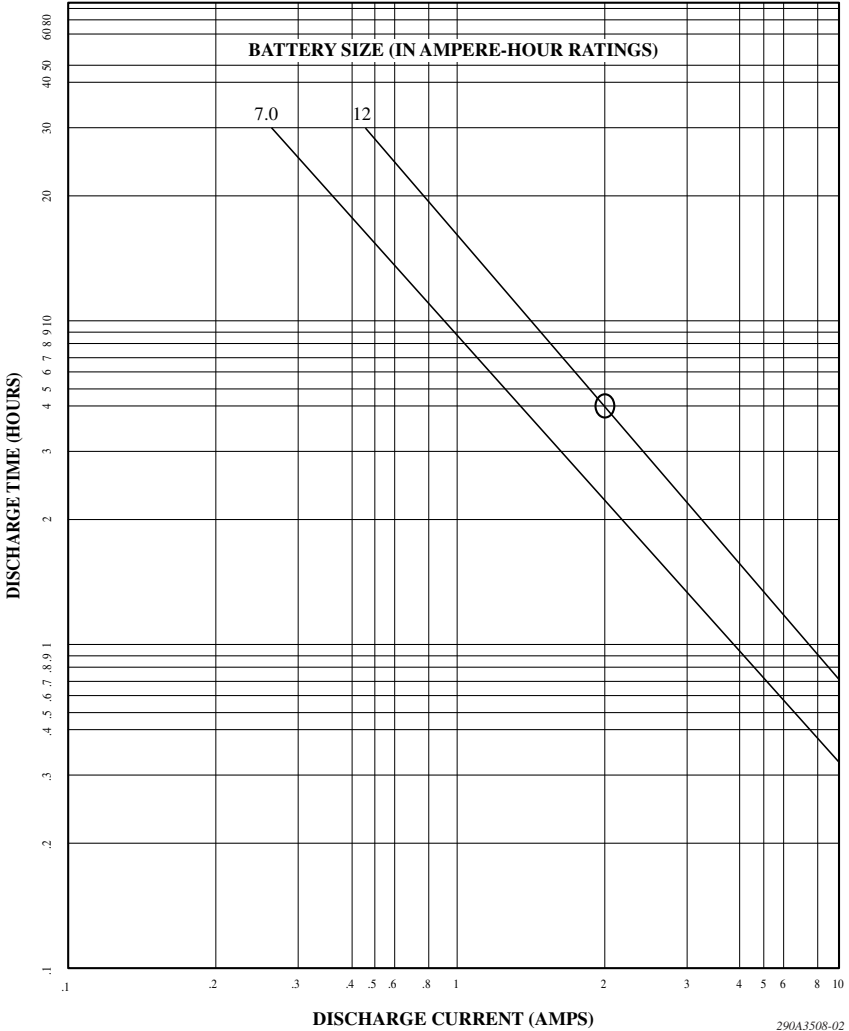
This warranty does not cover travel expenses, the cost of specialized equipment for gaining access to the product, or labor charges for removal and re-installation of the product. Lamps, flash tubes, or batteries are not covered under warranty.

This warranty does not extend to any unit which has been subjected to abuse, misuse, improper installation or which has been inadequately maintained, nor to units which have problems relating to service or modification at any facility other than the Federal factory or authorized warranty service centers.

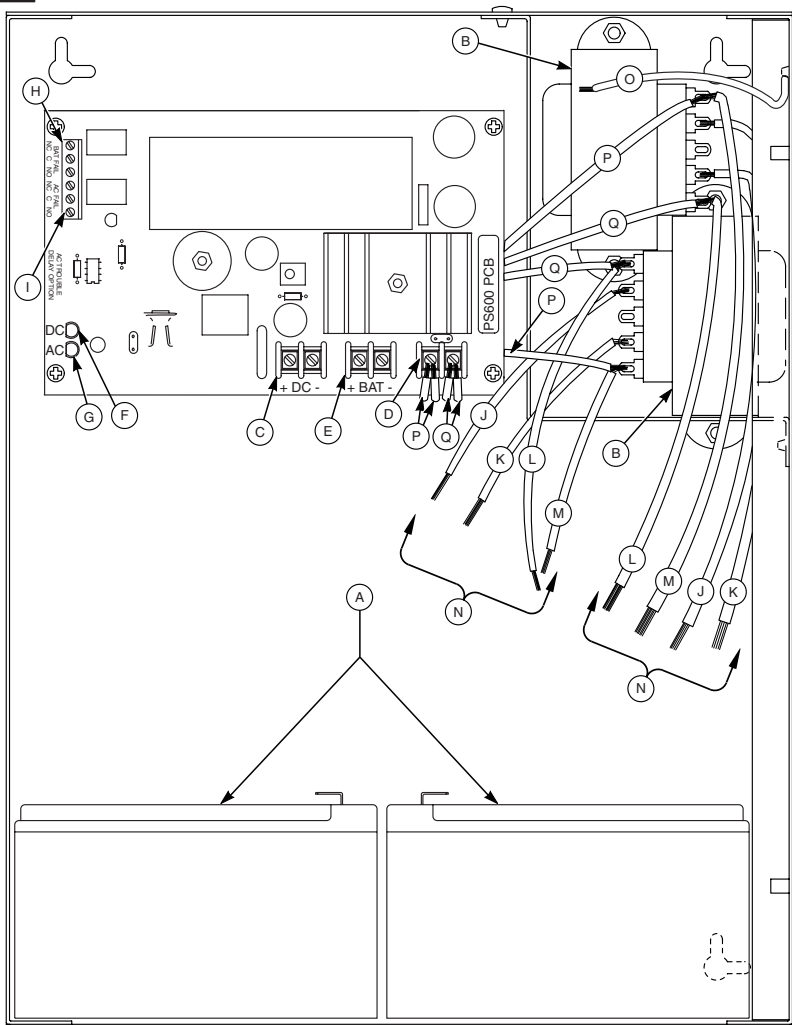
THERE ARE NO OTHER WARRANTIES, EXPRESSED OR IMPLIED, INCLUDING BUT NOT LIMITED TO, ANY IMPLIED WARRANTIES OF MERCHANTABILITY OR FITNESS FOR A PARTICULAR PURPOSE. IN NO EVENT SHALL FEDERAL BE LIABLE FOR ANY LOSS OF PROFITS OR ANY INDIRECT OR CONSEQUENTIAL DAMAGES ARISING OUT OF ANY SUCH DEFECT IN MATERIAL OR WORKMANSHIP.

1

DISCHARGE TIME AS A FUNCTION OF DISCHARGE CURRENT



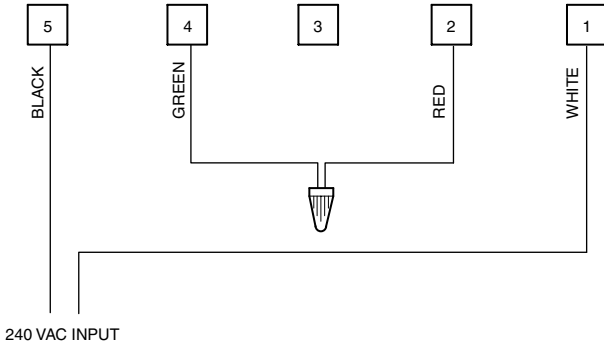
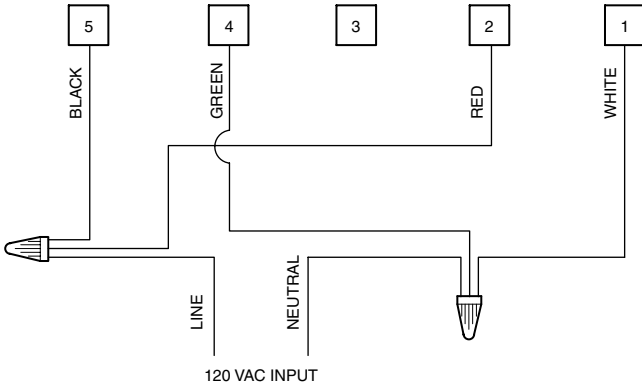
2



290A3508-03E

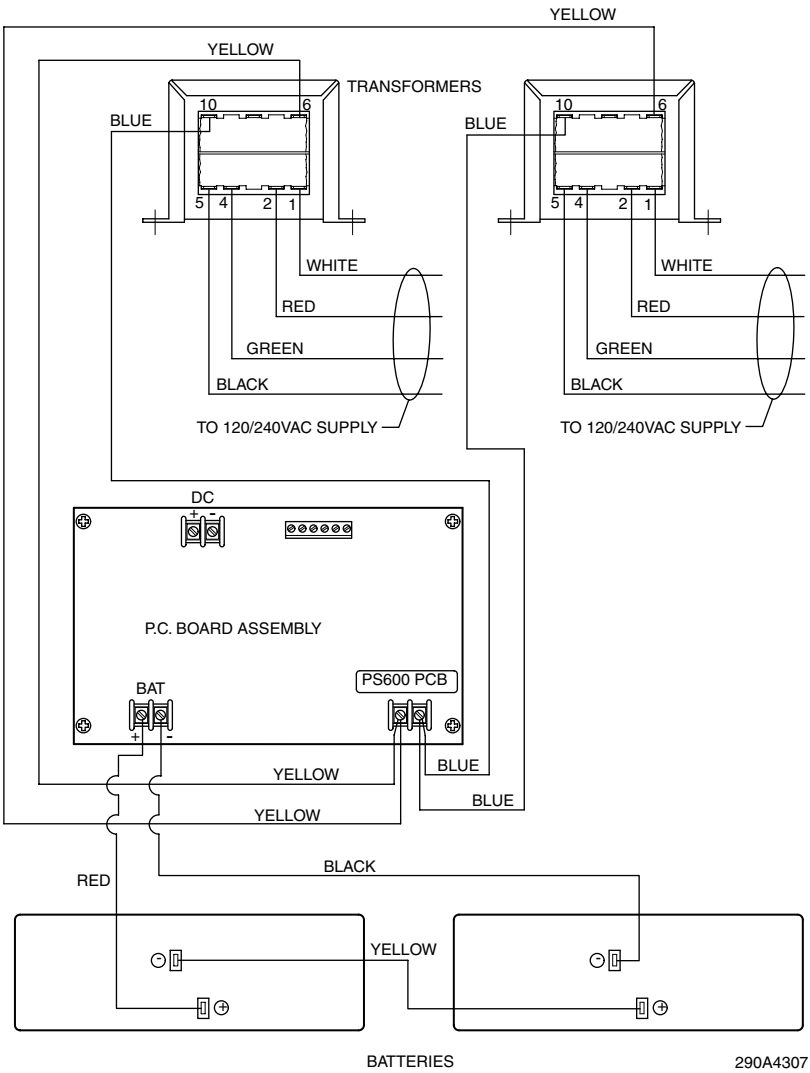
- | | |
|---------------------------------|-------------------|
| A. 12V, 12 amp hour battery | J. Green |
| B. Transformers | K. Red |
| C. DC Terminal blocks | L. Black |
| D. AC-Terminal blocks | M. White |
| E. Battery terminal blocks | N. To 120/240 VAC |
| F. DC-(red) LED | O. Ground (Green) |
| G. AC-(green) LED | P. Yellow |
| H. Battery fail terminal blocks | Q. Blue |
| I. AC fail terminal blocks | |

3



290A4306

4



290A4307