

MODEL 300X and 302X
INSTALLATION AND SERVICE INSTRUCTIONS
FOR MODELS 300X AND 302X

MODELO 300X y 302X
INSTRUCCIONES PARA LA INSTALACIÓN Y MANTEN-
IMIENTO
DE LOS MODELOS 300X Y 302X

MODÈLE 300X ET 302X
CONSIGNES POUR L'INSTALLATION ET L'UTILISATION
DES MODÈLES 300X ET 302X

Address all communications and shipments to:
Dirija toda la correspondencia y envíos a:
Adressez toutes les communications et expéditions à:



FEDERAL SIGNAL CORPORATION
Electrical Products Division
2645 Federal Signal Drive
University Park, IL 60466-3195

**INSTALLATION AND SERVICE INSTRUCTIONS
FOR
MODEL 300X/302X**

 **SAFETY MESSAGE TO INSTALLERS**

Peoples lives depend on your safe installation of our products. It is important to read, understand and follow all instructions shipped with this product.

Selection of mounting location for this device, its controls and routing of the wiring should be made by the Facilities Engineer and the Safety Engineer. Listed below are some other important safety instructions and precautions you should follow:

- This unit must be installed by a qualified electrician in accordance with all National and local Electrical and Codes, and be acceptable to the Authority Having Jurisdiction.
- Do not connect this unit to the system wiring when circuits are energized.
- For optimum sound distribution do not install this device where objects would block any portion of front of speaker.
- All effective warning speakers produce loud sounds which, in certain circumstances, may cause permanent hearing loss. Take appropriate precautions such as wearing hearing protection. Recommendations in OSHA-Sound Level Standard (29 CFR 1910) should not be exceeded.
- After installation, ensure that all bolts and threaded joints are tightened.
- After installation and completion of initial system test, a program for periodic testing of this device must be established.
- After installation and completion of initial system test provide a copy of this instruction sheet to all personnel responsible for operation, periodic testing and maintenance of this equipment.



Failure to follow all safety precautions and instructions may result in property damage, serious injury, or death to you or others.

I. GENERAL.

The SelectTone® Models 300X and 302X are hazardous location, continuous duty, indoor/outdoor, high output audible signal/amplified speaker devices. They are suitable for use in areas where flammable gases, vapors or liquids are present, and in areas with high ambient noise levels requiring a loud distinctive signal. A plug-in tone module is required for tone generation. If the use of externally generated tones or voice signals from a remote amplifier is desired, the plug-in speaker connector cards may be used. See the specification section for compatible plug-in models. These models may also be used for playback of pre-recorded messages or tones when used with the Model TM-33 Custom Tone Module. The mounting bracket is adjustable to allow positioning to obtain desired sound coverage.

II. SPECIFICATIONS.

Operating Voltages Available:

300X 24V AC/DC, 120/240 VAC
302X 24V AC/DC, 120/240 VAC

Current Requirements:

300X 1.3A @ 24V AC/DC, 50/60 Hz
0.5A @ 120/240 VAC, 50/60 Hz
302X 2.0A @ 24V AC/DC, 50/60 Hz
0.5A @ 120/240 VAC, 50/60 Hz

Net Weight:

300X (24V AC/DC)	15.4 lbs. [7.0 kg]
300X (120/240 VAC)	16.3 lbs. [7.4 kg]
302X (24V AC/DC)	16.4 lbs. [7.4 kg]
302X (120/240 VAC)	17.7 lbs. [8.0 kg]

Size:

300X 16.3"[414mm] long x 17.0"[432mm] high x 13.1"[333mm] wide
302X 19.5"[496mm] long x 18.8"[478mm] high x 16.7"[425mm] wide

Construction: Aluminum enclosure and adjustable steel mounting bracket painted with a powder coat finish.

Sound Level (on axis @ 10 ft [3m]):

300X 108 dBA
302X 114 dBA

Approval Agency Listings: Refer to Product Nameplate.

Compatible Tone Modules:
TM2, TM33, or UTM

Compatible Speaker Connector Cards:
AM25CK*, AM70CK*, EM3, 300CK, E-300CK, T-300CK, or 300CKS
* - Series A versions of these connector cards are not compatible.

III. INSTALLATION.

A. *Unpacking.*

After unpacking the amplified speaker, examine it carefully for possible damage that may have occurred in transit. If equipment has been damaged, immediately file a claim with carrier stating the extent of the damage. Carefully check all shipping labels and tags for special instructions before removing or destroying them.

B. *Mounting Arrangements.*

The speaker can be mounted on any relatively flat surface capable of supporting the speaker's weight. Conduit connections can be made to the 1/2" NPT threaded openings at bottom of the housing (see figure 2).



Property damage, serious injury, or death could occur if an accumulation of water, snow, dust, etc. resides in the speaker projector, severely reducing or preventing operation of this device.

Mount the unit so the speaker projector is pointed horizontally or slightly downward.

1. Remove the two 1/2"-13 hex head bolts, flat washers and lockwashers that secure the mounting bracket to the unit. Disconnect the lanyard from the mounting bracket at the cotter ring.
2. Select mounting location.



Property damage, serious injury, or death could occur if any objects are in front of speaker, severely reducing optimum sound distribution. For maximum effectiveness, ensure that the front of the speaker is clear of obstructions.

3. Using the mounting bracket as a template, scribe drill position marks on the mounting surface. See figure 1 for mounting hole locations and dimensions.



Before drilling holes in any surface, be sure both sides of surface are clear of anything that could be damaged.

4. Drill holes at the previously scribed drill position marks to accommodate 1/2" diameter bolts.
5. Secure bracket to mounting surface with 1/2" diameter hex head bolts, lockwashers and hex nuts.

6. Reattach unit to its mounting bracket with the two 1/2"-13 hex head bolts, flat washers and lockwashers previously removed. Position speaker so as to obtain desired sound coverage then tighten these bolts securely.

7. Reattach the lanyard to the cotter ring and mounting bracket. Check to verify that it is securely attached to both the cover and the mounting bracket. Loosen and remove the threaded cover by turning it counter-clockwise. Allow the cover to hang by the attached lanyard.



Property damage, serious injury, or death could occur if the machined sealing surfaces are damaged on this product. To maintain the effectiveness of explosion-proof enclosure, be careful to avoid damaging the machined sealing surfaces of cover and housing.

8. Route wires through the 1/2" NPT threaded openings into the SelecTone unit in accordance with National and local Electrical Codes. Wire size depends upon the operating current and the distance from the power source.

9. Before reinstalling the housing cover, read paragraph C, Electrical Connections below and make necessary connections.

C. *Electrical Connection.*



To avoid electrical shock, do not connect wires when circuits are energized.

National Electrical Codes as well as local codes must be adhered to in the installation of these models. All electrical wiring must be routed through approved conduit and fittings as specified.

1. *Power Connections.*

Use only 12 to 18 AWG (2.5 – 1.0 mm²) wire for the power connection. Strip no more than 0.25 inch (6 mm) of wire insulation from the ends of the power leads. If stranded wire is used, be sure that there are no loose strands outside the connector plug that could touch the adjacent lead and cause a short circuit.

a. 24V AC/DC models.

For 24VDC operation, connect the positive lead to the (+) terminal and the negative lead to the (-) terminal of the connector plug as shown in figure 2.

For 24VAC operation connect the line (hot) power source wire to the terminal marked "L". Connect the common (neutral) power source wire to the terminal marked "N". See figure 2. If required by local building codes, connect the earth ground wire to the green screw threaded into the interior of the enclosure.

b. 120/240 VAC models.

Set the voltage selector switch (SW1) to the desired source voltage. See figure 2.

Connect the line (hot) power source wire to the terminal marked “L”. Connect the common (neutral) power source wire to the terminal marked “N”. If required by local building codes, connect the earth ground wire to the green screw threaded into the interior of the enclosure.

Plug the connector into the receptacle provided on the printed circuit board.

2. *Tone Card Installation.*

NOTE

Tone Card is purchased separately.

- a. Plug the desired tone card into the socket as shown in figure 2.
- b. Rotate the card retainer into position, so that it holds the card in place.



Property damage, serious injury, or death could occur if the housing is not closed properly. To reduce possibility of explosion, the housing cover must be kept tight while circuits are energized.

c. Carefully reinstall housing cover and tighten it until the cover flange makes contact with the housing. Tighten the setscrew on the cover to secure the cover. Verify that the mounting bolts have been securely tightened.

3. *Speaker Connector Card Installation (Models AM25CK, AM70CK, & 300CK).*

NOTE

Connector card is purchased separately.

a. Route the audio signal leads into the enclosure and connect the signal leads to the connector card audio inputs. The connector cards are NOT polarity sensitive, however, polarity should be observed when placing units within close proximity to each other. Refer to the connector card installation manual provided with the connector card kit for additional wiring information.

- b. Plug the desired connector card into the socket as shown in figure 2.
- c. Rotate the card retainer into position, so that it holds the card in place.



Property damage, serious injury, or death could occur if the housing is not closed properly. To reduce possibility of explosion, the housing cover must be kept tight while circuits are energized.

d. Carefully reinstall housing cover and tighten it until the cover flange makes contact with the housing. Tighten the setscrew on the cover to secure the cover. Verify that the mounting bolts have been securely tightened.

IV. TESTING/OPERATING.



Under certain conditions these devices are capable of producing sounds loud enough to cause hearing damage. Adequate hearing protection should be worn if standing within close proximity to device while testing. Recommendations in the OSHA Sound Level Standard (29 CFR 1910) should not be exceeded.

A. After installation is complete, be sure to test the system to verify that each amplified speaker operates satisfactorily. If it is found that the unit is too loud for its location, an internal volume control can be adjusted. Remove the housing cover and insert a slotted electricians' type screwdriver into the volume control shown in figure 2. Gently turn the control counter-clockwise to decrease the sound output to the desired loudness. Reinstall the housing cover.



Property damage, serious injury, or death could occur if the housing is not closed properly. To reduce possibility of explosion, housing cover must be kept tight while circuits are energized.

B. Provide a copy of these instructions for the Safety Engineer, system operator(s) and maintenance personnel.

SAFETY MESSAGE TO OPERATORS

Even if your warning system is operating properly, it may not be completely effective. People may not hear or heed your warning signal. You must recognize this fact and ensure that your warning signal achieves its intended effect through proper test/training sequences within your specific application(s).

V. MAINTENANCE.

SAFETY MESSAGE TO MAINTENANCE PERSONNEL

Failure to follow all safety precautions and instructions may result in property damage, serious injury, or death to you or others.

- Read and understand all instructions before performing maintenance on this unit.
- Do not perform maintenance on this unit when circuits are energized.
- Periodic checks should be made to ensure that effectiveness of this device has not been reduced because speaker has become clogged with a foreign substance or because objects have been placed in front of the speaker.
- Any maintenance to this unit **MUST** be performed by a trained electrician in accordance with the National Electrical Code and the local codes.
- Never alter this unit in any manner. Safety in hazardous locations may be jeopardized if additional openings or alterations are made to this device.
- The nameplates, which contain cautionary or other information of importance to maintenance personnel, should not be obscured if exterior of device is painted.

WARNING

Explosion hazard—substitution of components may impair suitability for Class I, Division 2 and Class I, Zone 2.

WARNING

Property damage, serious injury or death could occur if this product's machined sealing surfaces are damaged. To maintain the effectiveness of the explosion-proof enclosure, use caution to avoid damaging the machined surfaces.

WARNING

Unauthorized repair/servicing of the unit may result in degradation of performance and/or property damage, serious injury, or death to you or others. If a malfunctioning unit is encountered, do not attempt any field repair/retrofit of parts.

VI. SERVICE.

Federal Signal will service your equipment or provide technical assistance with any problems that cannot be handled locally.

Any units returned to Federal Signal for service, inspection, or repair must be accompanied by a Return Material Authorization. This R.M.A. can be obtained from the local Distributor or Manufacturer's Representative.

At this time a brief explanation of the service requested or the nature of the malfunction, should be given.

Address all communications and shipments to:

FEDERAL SIGNAL CORPORATION
Electrical Products Division
Service Department
2645 Federal Signal Drive
University Park, IL 60466-3195

INSTRUCCIONES PARA LA INSTALACIÓN Y EL MANTENIMIENTO DE LOS MODELOS 300X/302X

MENSAJE DE SEGURIDAD PARA LOS INSTALADORES

La vida de personas depende de la instalación segura de nuestros productos. Es importante leer, comprender y seguir todas las instrucciones que vienen con este producto.

La selección del lugar de montaje para este dispositivo, sus controles y la distribución del cableado los debe realizar el ingeniero de planta y el ingeniero de seguridad. A continuación indicamos otras instrucciones importantes y precauciones de seguridad que debe seguir:

- Esta unidad debe ser instalada por un electricista preparado en conformidad con los Códigos Nacionales y locales de Electricidad y aprobada por la autoridad a la que corresponda la jurisdicción.
- No conecte esta unidad al cableado del sistema mientras el sistema está energizado.
- Para obtener una distribución óptima del sonido, no instale este dispositivo en lugares donde haya objetos que puedan obstruir cualquier parte de la parte delantera del altavoz.
- Todos los altavoces eficaces de alarma producen sonidos fuertes que pueden causar, en ciertas situaciones, la pérdida permanente de la audición. Tome las precauciones apropiadas como, por ejemplo, usar protección para los oídos. No se deben exceder las recomendaciones especificadas en la Norma de nivel de sonido (29 CFR 1910) de OSHA.
- Después de la instalación, asegúrese de que todos los tornillos y juntas roscadas están apretados.
- Después de la instalación y la prueba inicial del sistema, se debe establecer un programa de pruebas periódicas para este dispositivo.
- Después de la instalación y la prueba inicial del sistema, entregue una copia de estas instrucciones a todo el personal responsable de la operación, de la prueba periódica y del mantenimiento de este equipo.

ADVERTENCIA

Si no se siguen todas las precauciones e instrucciones de seguridad, pueden ocurrir daños a la propiedad y causar lesiones graves o mortales a usted o a otras personas.

I. GENERAL.

Los modelos 300X y 302X SelecTone® son dispositivos de altavoz amplificados de señal audible de alta potencia para servicio continuo, diseñados para su uso en áreas interiores y exteriores de alto riesgo. Son apropiados para áreas donde hay gases, vapores y líquidos inflamables y en áreas donde los niveles de ruido ambiental son muy altos y es necesario utilizar una señal distintiva fuerte. Es necesario un módulo de tono enchufable para la generación de tono. Si desea usar tonos generados externamente o señales de voz de un amplificador remoto, puede usar las tarjetas de conectores enchufables para altavoces. Vea en la sección de especificaciones los modelos enchufables

compatibles. Estos modelos también se pueden utilizar para reproducir mensajes o tonos grabados con anterioridad cuando se utilizan con el módulo de tonos personalizados (Custom Tone Module) modelo TM-33. El soporte de montaje es ajustable para permitir su posicionamiento y obtener la cobertura de sonido deseada.

II. ESPECIFICACIONES

Voltajes de operación disponibles

300X 24V CA/CC, 120/240 VAC

302X 24V CA/CC, 120/240 VAC

Requisitos de corriente

300X 1,3A a 24V CA/CC, 50/60 Hz

0,5A a 120/240 VAC, 50/60 Hz

302X 2,0A a 24V CA/CC, 50/60 Hz

0,5A a 120/240 VAC, 50/60 Hz

Peso neto:

300X (24V CA/CC) 15,4 lbs. [7,0 kg]

300X (120/240 VAC) 16,3 lbs. [7,4 kg]

302X (24V CA/CC) 16,4 lbs. [7,4 kg]

302X (120/240 VAC) 17,7 lbs. [8,0 kg]

Tamaño:

300X 16,3 pulg [414 mm] de largo x 17,0 pulg [432 mm] de alto x 13,1 pulg [333 mm] de ancho

302X 19,5 pulg [496 mm] de largo x 18,8 pulg [478 mm] de alto x 16,7 pulg [425 mm] de ancho

Construcción: Caja de aluminio y soporte de montaje ajustable de acero pintado con un acabado de poliéster.

Nivel de sonido (en eje a 10 pies [3 m]):

300X 108 dBA

302X 114 dBA

Lista de Agencias Aprobatorias: Consulte la placa de identificación del producto

Módulos de tono compatibles:

TM2, TM33 o UTM

Tarjetas de conectores compatibles para altavoces:

AM25CK*, AM70CK*, EM3, 300CK, E-300CK, T-300CK o 300CKS

* - Las versiones de la Serie A de estas tarjetas de conectores no son compatibles.

III. INSTALACIÓN.

A. Desembalaje

Después de desembalar el altavoz amplificado, revíselo cuidadosamente para detectar cualquier daño que pueda haber ocurrido durante su transporte. Si el equipo está dañado, presente inmediatamente una reclamación ante el transportista indicando la extensión de los daños. Revise cuidadosamente todas las etiquetas de envío y rótulos para ver si hay alguna instrucción especial antes de retirarlos o destruirlos.

B. Distribución del montaje.

Estos altavoces se pueden montar en cualquier superficie relativamente plana que pueda soportar el peso del altavoz. Las conexiones del conducto se pueden hacer en los agujeros roscados NPT de 1/2 pulg en el fondo de la caja (vea la figura 2).

ADVERTENCIA

Pueden ocurrir daños a la propiedad o lesiones graves o mortales si se acumula agua, nieve, polvo, etc. en el proyector del altavoz, reduciendo significativamente o impidiendo la operación de este dispositivo.

Monte la unidad de tal manera que el proyector del altavoz se oriente horizontalmente o un poco hacia abajo.

1. Quite los dos tornillos de cabeza hexagonal de 1/2 pulg-13, las arandelas planas y las arandelas de presión que aseguran el soporte de montaje a la unidad. Quite el cordón del anillo de pasador en el soporte de montaje.

2. Seleccione el lugar de montaje.

ADVERTENCIA

Pueden ocurrir daños a la propiedad o lesiones graves o mortales si hay algún objeto delante del altavoz, reduciendo significativamente la distribución óptima del sonido. Para obtener una mayor efectividad, asegúrese de que no hay ninguna obstrucción delante del altavoz.

3. Trace marcas de posición para taladrar en la superficie de montaje usando el soporte de montaje como plantilla. Vea la figura 1 para obtener las ubicaciones y dimensiones de los agujeros de montaje.

PRECAUCION

Antes de perforar los agujeros, asegúrese de que no hay nada que se pueda dañar en los dos lados de la superficie.

4. Perfore los agujeros en las marcas de posición que trazó para acomodar los tornillos de 1/2 pulg de diámetro.

5. Asegure el soporte a la superficie de montaje con tornillos de cabeza hexagonal de 1/2 pulg de diámetro, arandelas de presión y tuercas hexagonales.

6. Sujete de nuevo la unidad al soporte de montaje con los dos tornillos de cabeza hexagonal de 1/2 pulg-13, las arandelas planas y las arandelas de presión que quitó anteriormente. Coloque el altavoz de manera que obtenga la cobertura de sonido deseada y luego apriete los tornillos firmemente.

7. Sujete de nuevo el cordón al anillo de pasador y al soporte de montaje. Revise la unidad para asegurarse de que está sujeta firmemente a la cubierta y al soporte de montaje. Afloje y quite la cubierta enroscada girándola hacia la izquierda. Deje que la cubierta quede suspendida del cordón de amarre.

ADVERTENCIA

Pueden ocurrir daños a la propiedad o lesiones graves o mortales si se dañan las superficies maquinadas selladas de este producto. Para mantener la efectividad a prueba de explosiones de la caja, evite dañar las superficies maquinadas selladas de la cubierta y la caja.

8. Pase los cables por los agujeros roscados NPT de 1/2 pulg en la unidad SelecTone, en conformidad con los Códigos Eléctricos Nacionales y locales. El tamaño de los cables depende de la corriente que se está utilizando y la distancia a la fuente de energía.

9. Antes de instalar de nuevo la cubierta de la caja, lea el párrafo C, Conexiones eléctricas que se encuentra a continuación y haga las conexiones necesarias.

C. *Conexiones eléctricas.*

PELIGRO

Para evitar una descarga eléctrica, no conecte los cables cuando el sistema está energizado.

Debe cumplir con los Códigos Eléctricos Nacionales como también con los códigos locales cuando esté instalando estos modelos. Todos los cables eléctricos debe tenderse por un conducto aprobado y usando los conectores aprobados de acuerdo a las especificaciones.

1. *Conexiones de energía.*

Utilice sólo cables de 12 a 18 AWG (2,5 – 1,0 mm²) para las conexiones de energía. No pele el aislamiento del cable más de 0,25 pulg (6 mm) del extremo de los conductores de energía. Si utiliza cable trenzado, asegúrese de que no hay ninguna trenza suelta por fuera del enchufe conector que pueda entrar en contacto con un conductor adyacente y causar un corto circuito.

a. Modelos de 24V CA/CC.

Para la operación de 24V CC, conecte el conductor positivo al terminal (+) y el conductor negativo al terminal (-) del enchufe conector, como se muestra en la figura 2.

Para la operación de 24V CA, conecte el cable de línea (caliente) de la fuente de energía al terminal marcado con la letra “L”. Conecte el cable de fuente de

energía común (neutral) al terminal marcado con la letra “N”. Vea la figura 2. Si los códigos de construcción locales lo exigen, conecte el cable de conexión a tierra al tornillo roscado verde en el interior de la caja.

b. Modelos 120/240 VAC

Ajuste el interruptor selector de voltaje (SW1) en el voltaje de fuente deseado. Vea la figura 2.

Conecte el cable de línea (caliente) de la fuente de energía al terminal marcado con la letra “L”. Conecte el cable de fuente de energía común (neutral) al terminal marcado con la letra “N”. Si los códigos de construcción locales lo exigen, conecte el cable de conexión a tierra al tornillo roscado verde en el interior de la caja.

Conecte el conector al receptáculo proporcionado en la tarjeta del circuito impreso.

2. *Instalación de la tarjeta de tono*

NOTA

La tarjeta de tono se compra separadamente

a. Instale la tarjeta de tono deseada en el receptáculo como se muestra en la figura 2.

b. Gire el retenedor de la tarjeta en posición de tal manera que sostenga la tarjeta en su lugar.



Pueden ocurrir daños a la propiedad o lesiones graves o mortales si no se cierra correctamente la caja. Para disminuir la posibilidad de una explosión, la cubierta de la caja debe mantenerse ajustada mientras el sistema está energizado.

c. Instale de nuevo cuidadosamente la cubierta de la caja y apriétela hasta que la pestaña de la cubierta haga contacto con la caja. Apriete el tornillo de ajuste de la cubierta para ajustarla. Revise que los tornillos de montaje están apretados firmemente.

3. *Instalación de la tarjeta de conexión del altavoz (modelos AM25CK, AM70CK y 300CK).*

NOTA

La tarjeta de conexión se compra separadamente.

a. Pase los conductores de señal de audio al interior de la caja y conecte los conductores de señal a las entradas del conector de la tarjeta de audio. Las tarjetas de conexión NO son susceptibles a la polaridad; sin embargo, se debe observar la polaridad cuando se coloca una unidad muy cerca de otra. Consulte el manual de instalación de la tarjeta de conexión que se proporciona con el juego de tarjetas de conexión para obtener más información acerca del cableado.

- b. Conecte la tarjeta de conexión deseada en el receptáculo, como se muestra en la figura 2.
- c. Gire el retenedor de la tarjeta en posición de tal manera que sostenga la tarjeta en su lugar.

⚠ ADVERTENCIA

Pueden ocurrir daños a la propiedad o lesiones graves o mortales si no se cierra correctamente la caja. Para disminuir la posibilidad de una explosión, la cubierta de la caja debe mantenerse ajustada mientras el sistema está energizado.

- d. Instale de nuevo cuidadosamente la cubierta de la caja y apriétela hasta que la pestaña de la cubierta haga contacto con la caja. Apriete el tornillo de ajuste de la cubierta para ajustarla. Revise que los tornillos de montaje están apretados firmemente.

IV. PRUEBA/OPERACIÓN.

⚠ ADVERTENCIA

Bajo ciertas condiciones, estos dispositivos tienen la capacidad de producir sonidos lo suficientemente fuertes para causar daños al oído. Debe usar protección adecuada para los oídos si está cerca del dispositivo mientras se está probando. No se deben exceder las recomendaciones especificadas en la Norma de nivel de sonido (29 CFR 1910) de OSHA.

- A. Después de completar la instalación, asegúrese de probar el sistema para verificar que cada altavoz amplificado está funcionando correctamente. Si la unidad produce sonidos muy fuertes para el lugar donde está ubicada, se puede ajustar el control de volumen interno. Quite la cubierta de la caja e introduzca un destornillador ranurado en el control de volumen que se muestra en la figura 2. Gire el control hacia la izquierda suavemente para disminuir la salida de sonido al nivel deseado. Instale de nuevo la cubierta de la caja.

⚠ ADVERTENCIA

Pueden ocurrir daños a la propiedad o lesiones graves o mortales si no se cierra correctamente la caja. Para disminuir la posibilidad de una explosión, la cubierta de la caja debe mantenerse ajustada mientras el sistema está energizado.

- B. Entregue una copia de estas instrucciones al ingeniero de seguridad, a los operadores del sistema y al personal de mantenimiento.

MENSAJE DE SEGURIDAD PARA LOS OPERADORES

Aunque su sistema de advertencia esté funcionando correctamente, es posible que no sea completamente efectivo. Es posible que las personas no escuchen ni hagan caso de su señal de advertencia. Debe reconocer este hecho y asegurarse de que su señal de advertencia cumple el efecto deseado realizando secuencias de pruebas y de entrenamiento para sus aplicaciones específicas.

V. MANTENIMIENTO.

MENSAJE DE SEGURIDAD PARA EL PERSONAL DE MANTENIMIENTO

Si no se siguen todas las precauciones e instrucciones de seguridad, pueden ocurrir daños a la propiedad o causar lesiones graves o mortales a usted o a otras personas.

- Lea y comprenda todas las instrucciones antes de realizar trabajos de mantenimiento en esta unidad.
- No realice trabajos de mantenimiento en este dispositivo mientras el sistema está energizado.
- Se deben hacer revisiones periódicas para asegurar que la efectividad del dispositivo no ha disminuido debido a obstrucciones en el altavoz causadas por sustancias extrañas o porque se hayan colocados objetos delante del altavoz.
- Todos los trabajos de mantenimiento DEBEN ser realizados por un electricista capacitado de acuerdo al Código Eléctrico Nacional y a los códigos locales.
- Nunca altere esta unidad de ninguna manera. La seguridad en las áreas de alto riesgo puede ponerse en peligro si se añaden agujeros o se hacen alteraciones a este dispositivo
- Las placas de identificación, que pueden contener precauciones o información de importancia para el personal de mantenimiento, no se deben cubrir con pintura cuando se pinta el exterior del dispositivo.

ADVERTENCIA

Peligro de explosión—la sustitución de componentes puede deteriorar la idoneidad para Clase I, División 2 y Clase I, Zona 2.

ADVERTENCIA

Pueden ocurrir daños a la propiedad o lesiones graves o mortales si se dañan las superficies maquinadas selladas de este producto. Para mantener la efectividad a prueba de explosiones de la cabina, evite dañar las superficies maquinadas.

⚠ ADVERTENCIA

Si se hacen trabajos de mantenimiento y reparación que no están autorizados, puede ocasionar degradación del rendimiento de la unidad, daños a la propiedad y lesiones graves o mortales a usted o a otras personas. Si tiene una unidad averiada, no intente reparar ninguna de las piezas.

VI. SERVICIO.

Federal Signal reparará su equipo o le prestará asistencia técnica con cualquier problema que no pueda corregirse localmente.

Todas las unidades devueltas a Federal Signal para su mantenimiento, inspección o reparación deben venir acompañadas de una Autorización de Devolución de Materiales. Esta R.M.A. (Autorización de Devolución de Materiales) puede obtenerse de su distribuidor local o del representante del fabricante.

En ese momento se le pedirá una breve explicación del servicio solicitado o la naturaleza del desperfecto.

Dirija toda su correspondencia y todos sus envíos a:

FEDERAL SIGNAL CORPORATION
Electrical Products Division
Service Department
2645 Federal Signal Drive
University Park, IL 60466-3195

CONSIGNES POUR L'INSTALLATION ET L'UTILISATION DES MODÈLES 300X ET 302X

MESSAGE DE SÉCURITÉ POUR LES INSTALLATEURS

La vie de personnes dépend de l'installation sans danger que vous faites de nos produits. Il est important de lire, de comprendre et de suivre toutes les consignes joints à ce produit.

Le choix de l'emplacement pour monter cet appareil, de ses commandes et du chemin de câblage se fera sous la direction de l'ingénieur des installations et de l'ingénieur de la sécurité. De plus, sont énumérées ci-dessous quelques autres consignes et mesures de sécurité importantes à suivre :

- Un électricien qualifié doit installer cette unité conformément aux codes électriques national et locaux et au code des incendies; l'autorité ayant juridiction doit l'accepter.
- Ne pas brancher cette unité au système quand celui-ci est sous tension.
- Pour une répartition optimale du son, ne pas installer cet appareil là où des objets feraient obstacle à l'avant du haut-parleur.
- Tous les haut-parleurs d'avertissement efficaces produisent des sons puissants qui, dans certaines situations, peuvent causer une perte auditive permanente. Vous devez prendre des précautions adéquates comme le port d'une protection auditive. Il ne faut pas dépasser les recommandation de la norme de niveau sonore (29 CFR 1910) de l'OSHA.
- Après l'installation, assurez-vous que tous les boulons et raccords filetés sont bien serrés.
- Après l'installation et l'exécution d'un premier essai du système, il faut établir un programme d'essai périodique de cet appareil.
- Après l'installation et l'exécution d'un premier essai du système, fournir une copie de cette feuille de consignes à tout le personnel responsable du fonctionnement, des essais périodiques et de l'entretien de cet équipement.

AVERTISSEMENT

Le non respect de toutes les mesures et consignes de sécurité pourrait entraîner des dommages aux biens, de sérieuses blessures ou la mort pour vous ou d'autres

I. GÉNÉRALITÉS.

Les modèles Selec Tone 300X et 302X sont des haut-parleurs amplifiés/à signal audio à puissance de sortie élevée, pour emplacements dangereux, usage permanent, intérieur et extérieur. Ils sont compatibles à une utilisation dans des zones où des gaz inflammable, des vapeurs et des liquides sont présents ainsi que dans des zones avec des niveaux élevés de bruits ambiants, nécessitant un puissant signal distinct. Un module enfichable de tonalité est requis pour la génération de tonalité. Pour des tonalités générées à l'extérieur ou des signaux vocaux à partir d'un amplificateur à distance, vous pouvez utiliser les cartes de connecteurs enfichables pour haut-parleur. Voir la

section spécifications pour les modèles enfichables compatibles. Vous pouvez aussi vous servir de ces modèles pour la lecture de messages préenregistrés ou de tonalités avec le module à tonalités personnalisées modèle TM-33. Le support de fixation est réglable pour placer l'appareil de façon à obtenir la couverture sonore désirée.

II. SPÉCIFICATIONS.

Tensions d'exploitation disponibles :

300X 24 V CA/CC, 120/240 V CA

302X 24 V CA/CC, 120/240 V CA

Courants exigés :

300X 1,3 A @ 24 V CA/CC, 50/60 Hz

0,5 A @ 120/240 V CA, 50/60 Hz

302X 2,0 A @ 24 V CA/CC, 50/60 Hz

0,5 A @ 120/240 V CA, 50/60 Hz

POIDS NET :

300X (24 V CA/CC)

7 kg [15,4 lb]

300X (120/240 V CA)

7,4 kg [16,3 lb]

302X (24 V CA/DC)

7,4 kg [16,4 lb]

302X (120/240 V CA)

8 kg [17,7 lb]

Dimensions :

300X 414 mm [16,3 po] de long x 432 mm [17 po] de haut x 333 mm [13,1 po] de large

302X 496 mm [19,5 po] de long x 478 mm [18,8 po] de haut x 425 mm [16,7 po] de large

Construction : Enceinte d'aluminium et support de fixation ajustable en acier peints avec un fini à revêtement en poudre.

Niveau sonore (sur l'axe @ 3m [10 pi]):

300X 108 dBA

302X 114 dBA

Listes d'homologation : Se reporter à la plaque signalétique du produit

Modules de tonalité compatibles

TM2, TM33, ou UTM

Cartes compatibles de connecteurs pour haut-parleurs

AM25CK*, AM70CK*, EM3, 300CK, E-300CK, T-300CK, ou 300CKS

* - les versions de Série A de ces cartes de connecteurs ne sont pas compatibles.

III. INSTALLATION.

A. Déballage.

Après avoir déballé le haut-parleur, vérifier soigneusement s'il a été endommagé lors du transport. Si l'équipement a été endommagé, faire immédiatement au transporteur une réclamation déclarant l'étendue des dommages. Examiner soigneusement toutes les étiquettes d'expédition et de consignes particulières avant de les enlever ou de les détruire.

B. Dispositions de fixation.

Le haut-parleur peut être fixé sur une surface relativement plane capable de supporter son poids. Les conduit de câbles peuvent être raccordés aux ouvertures taraudées NPT de 1/2 po à la base du boîtier (voir figure 2)

AVERTISSEMENT

Il pourrait arriver des dommages aux biens, des blessures sérieuses ou la mort si de l'eau, de la neige, de la poussière, etc., s'accumulent dans le cornet du haut parleur, réduisant gravement ou empêchant le fonctionnement de cet appareil.

Fixer l'unité pour que le cornet du haut-parleur soit dirigé horizontalement ou légèrement vers le bas.

1. Retirer les deux boulons à tête hexagonale de 1/2 po-13, les rondelles plates et les rondelles frein qui fixent le support de fixation à l'unité. Débrancher le cordon du support de fixation à l'anneau de la goupille

2. Choisir l'emplacement de la fixation.

AVERTISSEMENT

Il pourrait arriver des dommages aux biens, des blessures sérieuses ou la mort si des objets se trouvent devant le haut-parleur, réduisant gravement la répartition optimale du son. Pour une efficacité maximale, faire en sorte qu'il n'y ait aucune obstruction à l'avant du haut-parleur.

3. À l'aide du support de fixation comme gabarit, marquer la position des trous à percer sur la surface de fixation. Voir la figure 1 pour l'emplacement des trous de fixation et leurs dimensions.

ATTENTION

Avant de percer des trous sur une surface, s'assurer que ses deux faces sont exemptes de quoi que ce soit qui pourrait être endommagé.

4. Percer des trous aux emplacements marqués précédemment pour pouvoir poser des vis de 1/2 po de diamètre.

5. Fixer le support à la surface de fixation avec des boulons à tête hexagonale de 1/2 po, des rondelles frein et des écrous hexagonaux.

6. Rattacher l'unité à son support de fixation avec les deux boulons à tête hexagonale de 1/2 po-13, les rondelles plates et les rondelles frein retirés auparavant. Placer le haut-parleur de façon à obtenir la couverture sonore désirée.

7. Rattacher le cordon à l'anneau de goupille et au support de fixation. Vérifier qu'il est bien attaché au couvercle et au support de fixation. Dévisser le couvercle fileté dans le sens anti-horaire et le retirer. Laisser le couvercle pendre par le cordon attaché.

AVERTISSEMENT

Il pourrait arriver des dommages aux biens, des blessures sérieuses ou la mort si les surfaces de scellement usinées du produit sont endommagées. Pour maintenir l'efficacité de l'enceinte antidéflagrante, faire attention à ne pas endommager les surfaces de scellement usinées du couvercle et du boîtier.

8. Passer les fils par les ouvertures taraudées NPT 1/2 po dans l'unité Selec Tone conformément aux codes électriques national et locaux. Le calibre du fil dépend du courant de fonctionnement et de la distance de la source d'alimentation

9. Avant de reposer le couvercle du boîtier, lire le paragraphe C, Connexions électriques ci-dessous et effectuer les connexions nécessaires.

C. *Connexion électrique*

DANGER

Pour éviter un choc électrique, ne pas connecter de fils quand les circuits sont sous tension.

Il faut suivre le code électrique national ainsi que les codes locaux pour l'installation de ces modèles. Tout le câblage électrique doit passer par les conduits et les raccords homologués tel que spécifié.

1. *Connexions à l'alimentation*

Utiliser seulement un fil de calibre 12 à 18 AWG (2.5 – 1.0 mm²) pour la connexion à l'alimentation. Ne pas dénuder plus de 6 mm (0,25 po) de fil aux extrémités des conducteurs. Si vous utilisez du fil toronné, assurez-vous qu'il n'y a pas de toron flottant à l'extérieur du connecteur qui pourrait toucher le conducteur adjacent et causer un court-circuit.

a. *Modèles 24 V CA/CC*

Pour le fonctionnement en 24 V CC, connecter le conducteur positif à la borne (+) et le conducteur négatif à la borne (-) du connecteur enfichable comme le montre la figure 2”

Pour le fonctionnement en 24 V CA, connecter le fil de ligne (vivant) de la source de courant à la borne indiquée « L ». Connecter le fil commun (neutre) de la source de courant à la borne indiquée « N ». Voir figure 2. En cas d'exigence des codes

locaux de construction, connecter le fil de mise à la terre à la vis verte filetée à l'intérieur de l'enceinte.

b. Modèles 120/240 V CA

Régler le sélecteur de tension (SW1) sur la source de tension désirée.

Voir figure 2.

Connecter le fil de ligne (vivant) de la source de courant à la borne indiquée « L ». Connecter le fil commun (neutre) de la source de courant à la borne indiquée « N ». En cas d'exigence des codes locaux de construction, connecter le fil de mise à la terre à la vis verte filetée à l'intérieur de l'enceinte.

Brancher le connecteur dans la prise fournie sur la carte de circuits imprimés.

2. *Installation de la carte de tonalité*

NOTA

La carte de tonalité

a. Insérer la carte de tonalité désirée dans la prise femelle comme le montre la figure 2.

b. Faire tourner le dispositif de retenue en position pour tenir la carte en place.

▲ AVERTISSEMENT

Il pourrait arriver des dommages aux biens, des blessures sérieuses ou la mort si le boîtier n'est pas bien fermé. Pour réduire les possibilités d'explosion, il faut que le couvercle du boîtier soit bien fermé pendant la mise sous tension des circuits.

Reposer soigneusement le couvercle du boîtier et le visser jusqu'à ce que la bride du couvercle fasse contact avec le boîtier. Serrer la vis de blocage sur le couvercle pour bien le fixer. Vérifier que les boulons de fixation ont bien été serrés.

3. *Installation des cartes de connecteurs de haut-parleur (Modèles AM25CK, AM70CK, et 300CK).*

NOTA

la carte de connecteurs s'achète séparément.

a. Passer les conducteurs de signal audio dans l'enceinte et les connecter aux entrées audio de la carte de connecteurs. Les cartes de connecteurs NE sont PAS sensibles à la polarité; cependant, il faut observer la polarité en plaçant les unités à proximité l'une de l'autre. Se reporter au manuel d'installation de cartes de connecteurs fourni avec la trousse de cartes de connecteurs pour des renseignements supplémentaires sur les branchements.

b. Insérer la carte de connecteur désirée dans la prise femelle comme le montre la figure 2.

c. Faire tourner le dispositif de retenue en position pour tenir la carte en place.

AVERTISSEMENT

Il pourrait arriver des dommages aux biens, des blessures sérieuses ou la mort si le boîtier n'est pas bien fermé. Pour réduire les possibilités d'explosion, il faut que le couvercle du boîtier soit bien fermé pendant la mise sous tension des circuits.

Reposer soigneusement le couvercle du boîtier et le visser jusqu'à ce que la bride du couvercle fasse contact avec le boîtier. Serrer la vis de blocage sur le couvercle pour bien le fixer. Vérifier que les boulons de fixation ont bien été serrés.

IV. ESSAIS / FONCTIONNEMENT.

AVERTISSEMENT

Dans certaines situations, ces appareils sont capables de produire des sons suffisamment puissants pour causer une diminution de l'acuité auditive. Vous devez porter une protection auditive adéquate si vous êtes à proximité de l'appareil pendant les essais. Il ne faut pas dépasser les recommandations de la norme de niveau sonore (29 CFR 1910) de l'OSHA.

A. Une fois l'installation terminée, faire l'essai du système pour vérifier que chaque haut-parleur amplifié fonctionne de manière satisfaisante. Si l'unité est trop bruyante pour son emplacement, on peut régler le volume à l'aide d'une commande interne. Enlever le boîtier et insérer un tournevis plat de type électricien dans la commande de volume montrée à la figure 2. Tourner doucement la commande dans le sens antihoraire pour baisser la sortie du son à la puissance désirée. Reposer le couvercle du boîtier.

AVERTISSEMENT

Il pourrait arriver des dommages aux biens, des blessures sérieuses ou la mort si le boîtier n'est pas bien fermé. Pour réduire les possibilités d'explosion, il faut que le couvercle du boîtier soit bien fermé pendant la mise sous tension des circuits.

C. Fournir une copie de ces consignes à l'ingénieur de la sécurité, aux opérateurs du système et au personnel d'entretien.

MESSAGE DE SÉCURITÉ AUX OPÉRATEURS

Même si votre système fonctionne correctement, il pourrait ne pas être totalement efficace. Les gens pourraient ne pas entendre ou tenir compte du signal avertisseur. Vous devez reconnaître ce fait et vous assurez que votre signal avertisseur atteint son but par de séquences appropriées d'essais et de formation dans le cadre de vos applications spécifiques.

V. ENTRETIEN.

MESSAGE DE SÉCURITÉ AU PERSONNEL D'ENTRETIEN

Le non respect de toutes les mesures et consignes de sécurité pourrait entraîner des dommages aux biens, de sérieuses blessures ou la mort pour vous ou d'autres

- Lire et comprendre toutes les consignes avant d'effectuer l'entretien de cette unité.
- effectuer l'entretien de cette unité quand les circuits sont sous tension.
- Il faut faire des vérifications périodiques pour s'assurer que l'efficacité de cet appareil n'a pas été réduite parce qu'une substance étrangère obstrue le haut-parleur ou que des objets ont été placés en devant celui-ci.
- Un électricien formé DOIT effectuer tout entretien de cette unité conformément aux directives du NEC et des codes locaux.
- Ne jamais modifier cette unité d'aucune façon. La sécurité des emplacements dangereux pourrait être compromise par des ouvertures supplémentaires ou des modifications faites à cet appareil.
- Si l'extérieur de l'appareil est peint, il ne faut pas masquer les plaques signalétiques qui comportent des avertissements et autres renseignements d'importance pour le personnel d'entretien.

AVERTISSEMENT

Risque d'explosion- la substitution de composants pourrait réduire la compatibilité avec la classe 1, division 2 et classe 1, zone 2

AVERTISSEMENT

Il pourrait arriver des dommages aux biens, des blessures sérieuses ou la mort si les surfaces de scellement usinées du produit sont endommagées. Pour maintenir l'efficacité de l'enceinte antidéflagrante, faire attention à ne pas endommager les surfaces usinées.

AVERTISSEMENT

Une réparation ou un dépannage non autorisés de cette unité pourrait entraîner une dégradation de la performance et/ou des dommages aux biens, de sérieuses blessures ou la mort pour vous ou d'autres. Si une unité présente un mauvais fonctionnement, ne pas essayer de réparer sur place ou de remplacer des pièces.

VI. SERVICE.

Federal Signal dépannera votre équipement et vous fournira de l'assistance technique pour tout problème qui ne peut être traité localement.

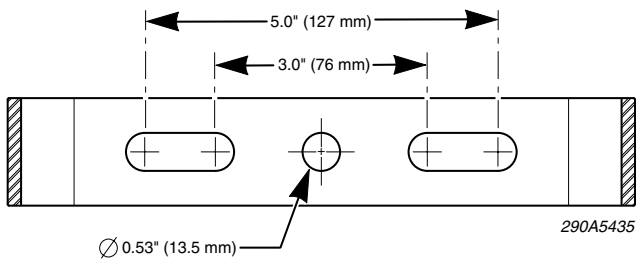
Toute unité retournée à Federal Signal pour dépannage, inspection ou réparation doit être accompagnée d'une autorisation de retour de matériel (RMA). Votre distributeur local ou un représentant du fabricant peut vous fournir cette RMA.

À ce moment-là, vous devrez donner une brève explication du service requis ou de la nature du mauvais fonctionnement.

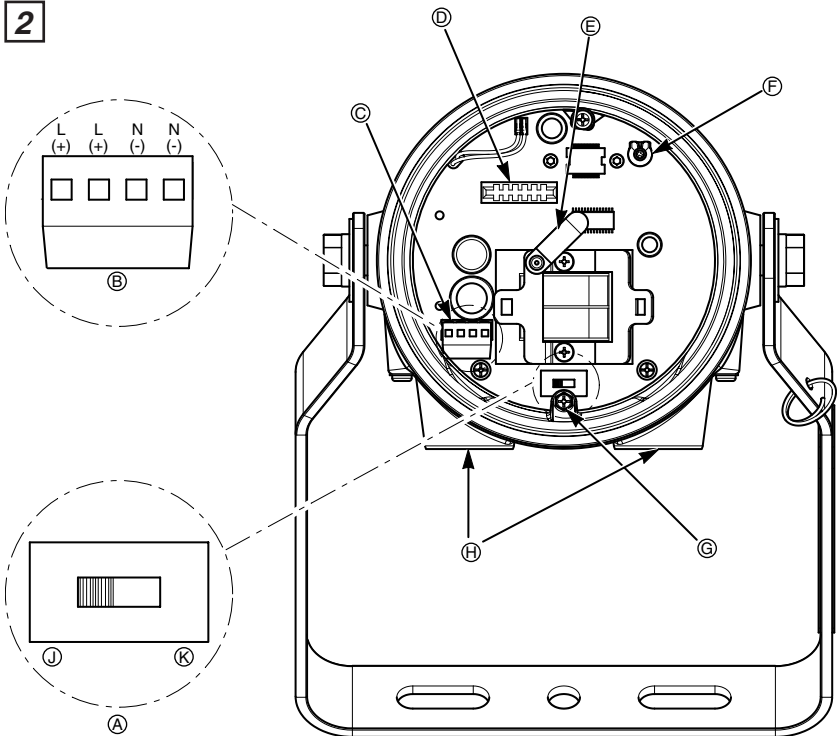
Adresser toutes les communications et envois à :

Federal Signal Corporation
Electrical Products Division
Service Department
2645 Federal Signal Drive
University Park, IL 60466-3195

1



2



290A5436

English

- A. AC Voltage Selector Switch
- B. Power Connector Detail
- C. Power Connector
- D. Tone/Connector Card Socket
- E. Tone/Connector Card Retainer
- F. Volume Control
- G. Earth Ground
- H. 1/2" NPT Conduit Entrances
- J. 240VAC
- K. 120VAC

Español

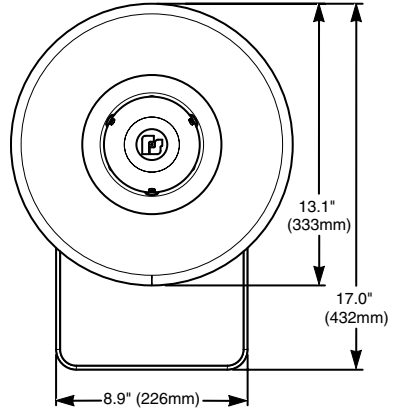
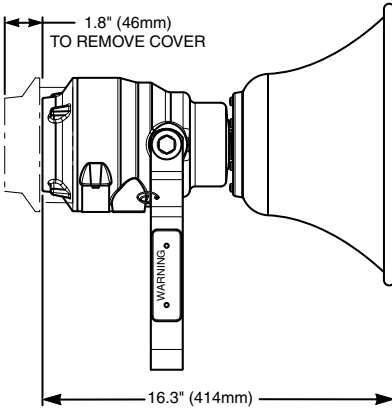
- A. Interruptor selector de voltaje CA
- B. Detalle del conector de energía
- C. Conector de energía
- D. Receptáculo para la tarjeta de tono/conexión
- E. Retenedor para la tarjeta de tono/conexión
- F. Control de volumen
- G. Conexión a tierra
- H. Entradas del conducto NPT de 1/2 pulg
- J. 240VAC
- K. 120VAC

Français

- A. Sélecteur de tension CA
- B. Détail de connecteur d'alimentation
- C. Connecteur d'alimentation
- D. Prise femelle pour carte de connecteur/tonalité
- E. Dispositif de retenue pour carte de connecteur/tonalité
- F. Commande de volume
- G. Prise de terre
- H. Entrées de conduit NPT1/2 po
- J. 240 V CA
- K. 120 V CA

Figure 2.

3



4

