



Marine/Industrial Sounders

Model MS Series Sounders and Powered Loudspeakers

ELECTRONIC SOUNDERS AND POWERED LOUDSPEAKERS FOR USE IN MARINE AND INDUSTRIAL APPLICATIONS

- 8 watt, 114dBa @ 1m output
- 15 watt, 117dBa @ 1m output
- 25 watt, 123dBa @ 1m output
- On-board choice of 15 tones
- Remote tone selection
- Dual cable entries
- Integrated DC and AC voltages
- Short horn version (8W)
- Watertight to IP66/IP67

Federal Signal's model MS Series Sounders and Powered Loudspeakers are designed for rugged industrial applications where CE certification is required. The MS Series is comprised of two separate products that serve a variety of applications. First is a sounder that includes fifteen standard tones with a common power input that accepts an AC or DC power source. Once power is applied, a single tone may be selected through the use of a remote contact input, or all fifteen tones may be accessed independently by providing a binary string of information, specific to each tone. This allows a certain sound to match a specific alarm condition.

The second version of the MS Series is a powered loudspeaker. Once an AC or DC power source is applied, the powered loudspeaker is capable of amplifying a low-level audio signal, and reproducing it at 8, 15 or 25 watts, depending on the model selected. MS Series Powered Loudspeakers are the perfect option for ECHO Intercom systems, where CE approval is required.

The Model MS Series sounders and powered loudspeakers are available in three different configurations, from 8 watt to 25 watt, to provide an appropriate amount of sound for the ambient environment. To fine tune the product for each application, an internal volume adjustment potentiometer is provided.

Mounting is provided by a stainless-steel ratcheted mounting bracket that locks the sounder in position at a specific angle without slipping. The bottom surface of the mounting bracket also contains three mounting holes, to adapt to a variety of surfaces.

The MS Series is rated for IP66/67 through the use of a neoprene "O" ring seal. All exterior cast aluminum surfaces are finished in gray powder coat paint and external hardware is manufactured from stainless steel to resist corrosion.



Model	Voltage	Operating Current	Equivalent Power
MS1 ¹	24VDC/120VAC/240VAC	950mA/210mA/125mA	8 watt
MS1-112 ¹	24VDC/120VAC/240VAC	950mA/210mA/125mA	15 watt
MS4-120 ¹	24VDC/120VAC/240VAC	950mA/210mA/125mA	25 watt
MS1-114-14 ²	24VDC/120VAC/240VAC	500mA/125mA/90mA	8 watt
MS1-112-14 ²	24VDC/120VAC/240VAC	500mA/125mA/90mA	15 watt
MS5-120-EB ²	24VDC	1200mA	25 watt
MS5-120-EL ²	120VAC	400mA	25 watt
MS5-120-EM ²	240VAC	210mA	25 watt

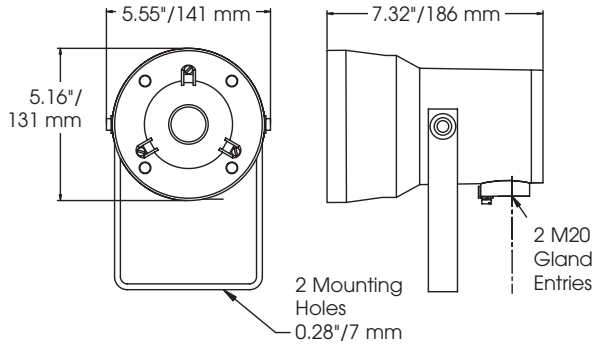
¹ MS-Series Sounder

² MS-Series Powered Loudspeaker

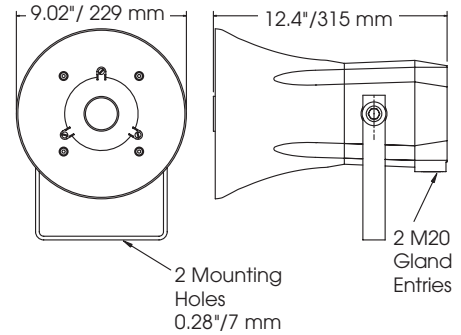


HAZARDOUS AREA SOUNDERS AND POWERED LOUDSPEAKERS (MS)

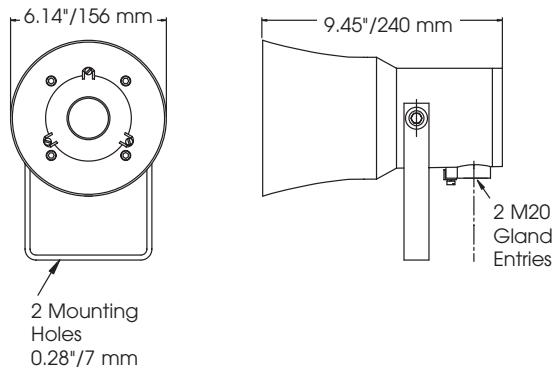
8W



25W



15W



SPECIFICATIONS

Operating Voltages:	24VDC, 110/120VAC, 220/240VAC	Termination:	For 1.5mm ² conductors	
Factory Default Setting:	240VAC	Net Weight:		
Type:	8/15 Watt dual entry, 25 Watt dual entry	8W	6.6 lbs.	3.0kg
Material:	Aluminum Alloy LM6 (marine grade)	15W	7.1 lbs.	3.2kg
Color:	Grey to RAL7035 (epoxy powder coated semi-gloss)	25W	14.1 lbs.	6.4kg
Mounting:	Stainless steel bracket (not painted)	Shipping Dimensions:		
Output:		8W	25 x 23 x 28cm	
8W Short Horn	114dBa @ 1m (1kHz)	25W	32 x 30 x 37cm	
15W	117dBa @ 1m (1kHz)	Ingress Protection ¹ :	IP67	
25W	123dBa @ 1m (1kHz)	Ingress Protection ² :	IP66 and IP67	
Cable Entries (bottom):	2 x M20			
(Supplied with 1 x EEx stopping plug)				
Operating Temperature Range:	-20°C to 70°C			

¹ 8W/15W

² 25W

Notes: Audio input user selectable.
Available inputs are 0.8V, 1.5V and 2.7V.

HOW TO ORDER

- Contact Factory for Specification Assistance