



StreamLine® Low Profile Micro Sounder

Model LP5

PERFECT SIZE MEETS SUPERIOR PERFORMANCE!

- Available in 9–30VDC
- Choice of 4 tones
- Indoor use
- Cost effective, two-wire micro unit
- Produces 76–87dBa @ 10' (86–97dBa @ 1m)
- Panel or wall mount
- CE Compliant

Federal Signal's Model LP5 low-profile sounder is an economical two-wire micro unit that produces an effective audible signal for indoor applications.

Model LP5 operates on 9–30VDC power, and is capable of producing one of four tones: "Continuous", "Two-Tone", "Pulsed" and "Sweeping". Tone selection is made by wiring the leads to the 2.5mm screw terminal block. Each tone can function at a high or low dB level, depending upon DIP switch selection (low of 3mA to a high of 15mA). Output ranges from 76 to 87dBa @ 10' (86 to 97dBa @ 1m).

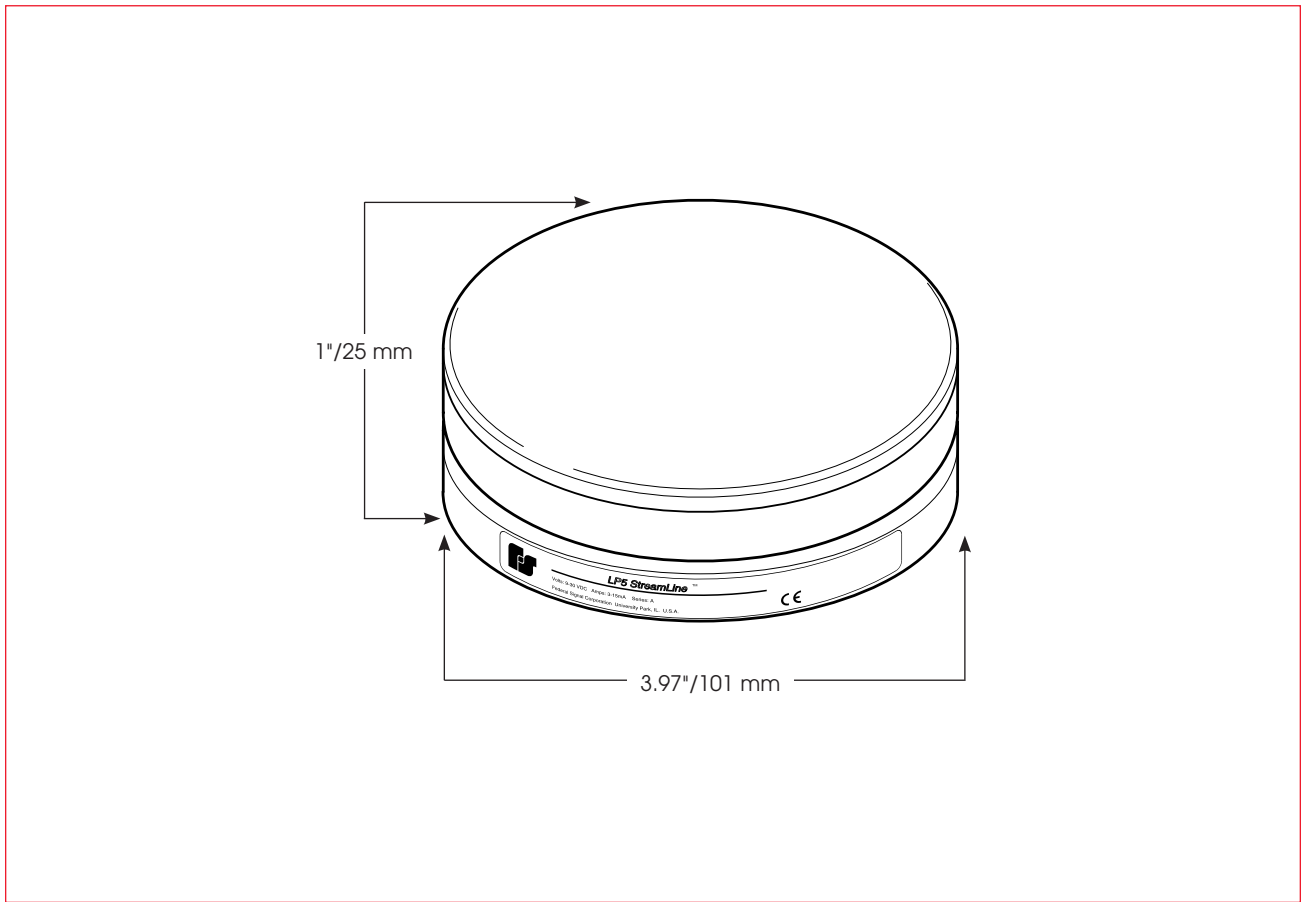
The White ABS plastic cover is removed for easy access to dip switches and the wiring terminal block. Circuitry meets with CE approval. The operating temperature range is -13°F to 185°F (-25°C to 85°C) allowing for a wide range of applications.

This device works well in panel or wall mount installations due to its unobtrusive low profile. With current consumption as low as 3mA, the unit is compatible with PLC and low voltage controls.

Model	Voltage	Operating Current	Decibels @	
			10'	1m
LP5-09-030	9-30VDC	3-15mA	76-87	86-97



STREAMLINE® LOW PROFILE SOUNDER (LP5)



SPECIFICATIONS

Operating Temperature:	-13°F to 185°F	-25°C to 85°C
Net Weight:	0.33 lb.	0.155 kg
Shipping Weight:	0.4 lb.	0.2 kg
Diameter:	3.97"	101.0 mm
Depth:	1.0"	25.0 mm

HOW TO ORDER

- Specify model and voltage
- Please refer to Model Number Index LP5 beginning on page 375