

SelecTone® Command Unit

Model 300VSC-1



DESIGNED FOR SELECTONE® SYSTEMS

- Multi-voltage design accepts 24VDC, 120VAC or 240VAC
- Produces four prioritized tones and public address
- Remote microphone input
- Desktop design
- Type 1 enclosure
- UL Listed and CSA Certified

The Federal Signal Model 300VSC-1 SelecTone® Command Unit generates up to four tones or voice communications in a SelecTone System. Four tones, auxiliary, test and cancel are controlled via an illuminated keypad. Voice transmission is activated by keying the optional desktop or hand-held microphone.

The Model 300VSC-1 is UL Listed and CSA Certified.

Select up to four plug-in tone modules, including the UTM Universal Tone Module and the TM33 Custom Tone Module.

Public address can be accessed from the local microphone or via the remote microphone input. Audio input allows background music to be played from any 1 volt-peak-to-peak source system. Public address has the highest priority followed by tones 1-4, remote microphone and auxiliary audio.

“Test” plays tones or voice messages through the monitor speaker only. “Cancel” interrupts any tone.

External switches can be wired into the command unit for automatic remote operation of the signal system.

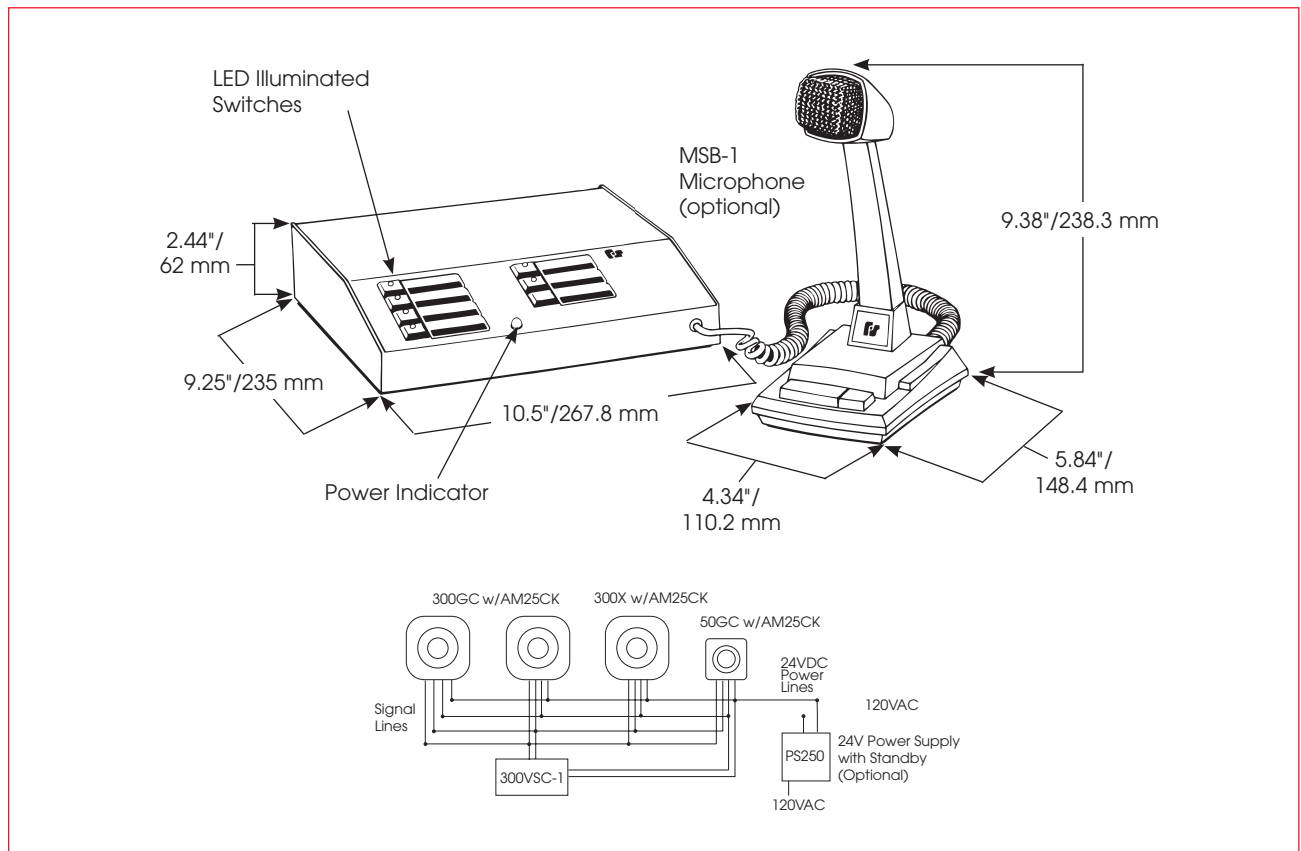
The 300VSC-1 SelecTone Command Unit is the basis for a simple, versatile general signaling system for weather warning, start and dismissal, general alarm, evacuation and paging.

Model	Voltage	Operating Current	Standby Current
300VSC-1	24VDC*	0.76 amps	0.09 amps
300VSC-1	120VAC	0.21 amps	0.03 amps
300VSC-1	240VAC	0.10 amps	0.02 amps

* Allows emergency power back-up using PS250, PS600 or PS1000. See page 204.



SELECTONE COMMAND UNIT (300VSC-1)



SPECIFICATIONS

Tone Output Levels

Unbalanced Signal Line 10 Vrms (25 Ohm max.)

Balanced Signal Line (Recommended) 25 Vrms (40 Ohm max./15 Watt)

Signal to Noise Ratio (<1.5% THD) Chip Input 67dBa

Signal Frequency Response 250Hz to 4.5KHz (typical)

Net Weight: 3.1 lbs. 1.4 kg

Shipping Weight: 4.2 lbs. 1.9 kg

Height: 2.44" 62.0 mm

Width: 10.5" 266.7 mm

Depth: 9.25" 235.0 mm

HOW TO ORDER

- Specify model
- Specify up to four Tone Modules:
Universal Tone Module (UTM)
Custom Tone Module (TM33)
- Specify Accessories:
Handheld Microphone (MNC-1)
Desktop Microphone (MSB-1)
- Please refer to Model Number Index
300VSC-1 beginning on page 375

REPLACEMENT PARTS

<u>Description</u>	<u>Part Number</u>	<u>Description</u>	<u>Part Number</u>
PC Board Assemblies		Connectors, 17 Position	K140A332A-17
Mother Board	K2001154E	Connectors, 16 Position	K140A332A-16
Switch Board	K2001147A	Fuse 250V, 1 Amp	K148A155A-01
Tone Card Connector	K2001164A	Fuse 250V, 1/2 Amp	K148A155A