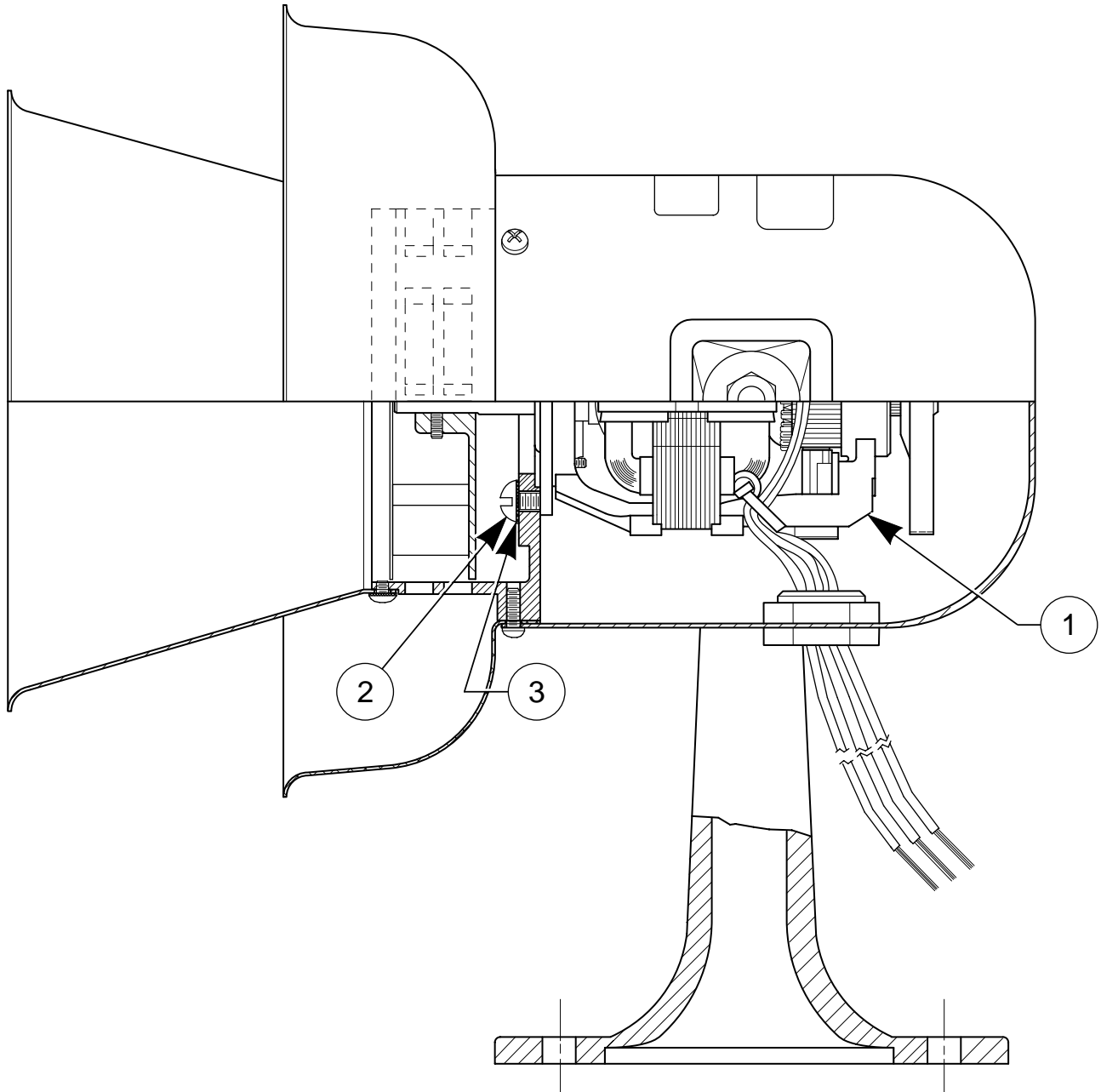


INSTRUCTION SHEET FOR
MODEL A SIREN MOTOR REPLACEMENT



NOTE:
INSTALL MOTOR IN POSITION WITH WIRES CLOSEST TO
CONDUIT ENTRANCE AS ILLUSTRATED ON DRAWING.

ITEM	REQ'D.	DESCRIPTION
1	1	MOTOR
2	2	SCREW, MACH, RD. HD., SLOT, #10-32
3	2	LOCKWASHER, #10 EXT. TTH.